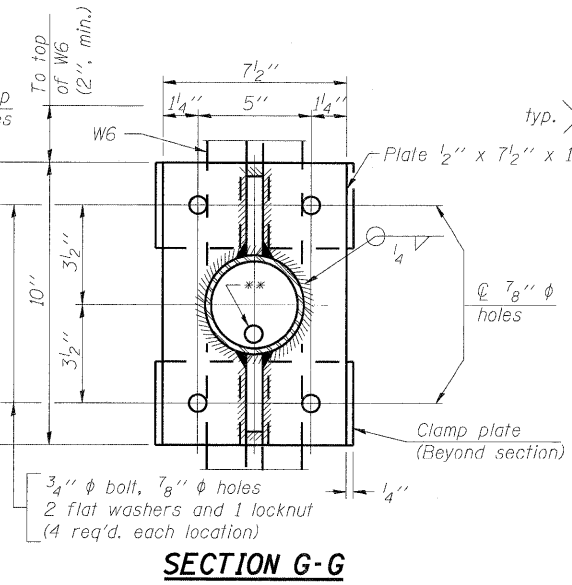
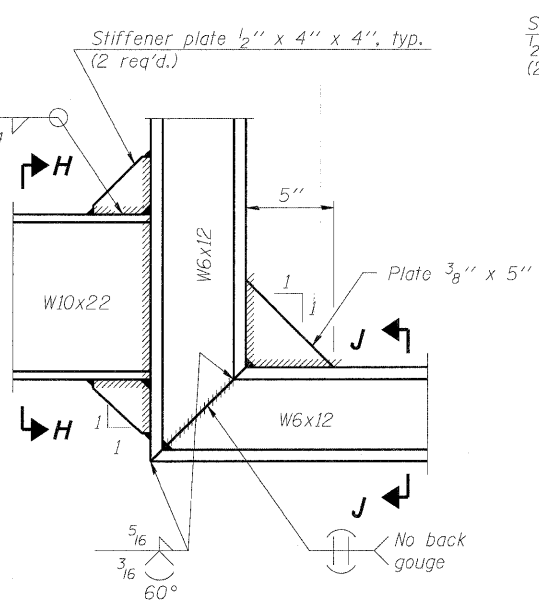


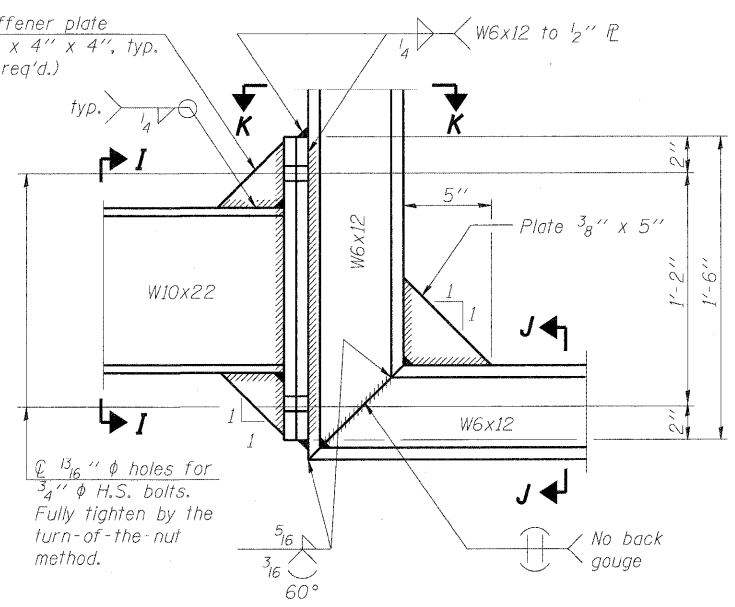
**DETAIL A**



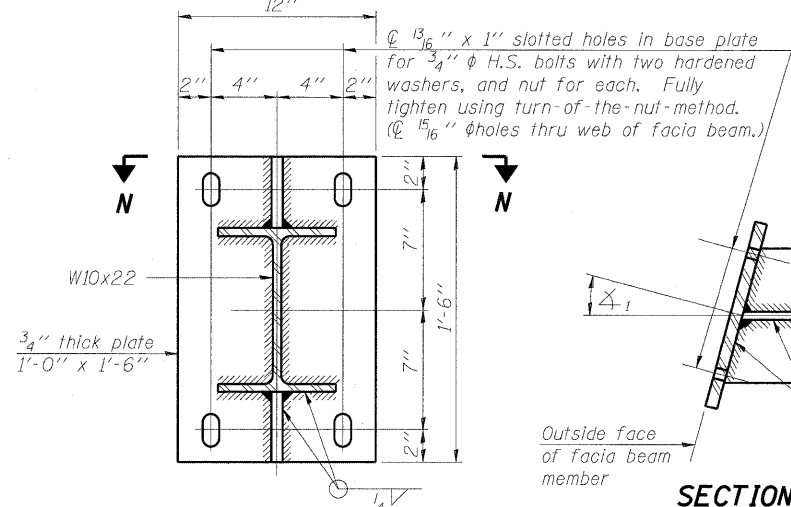
**SECTION G-G**



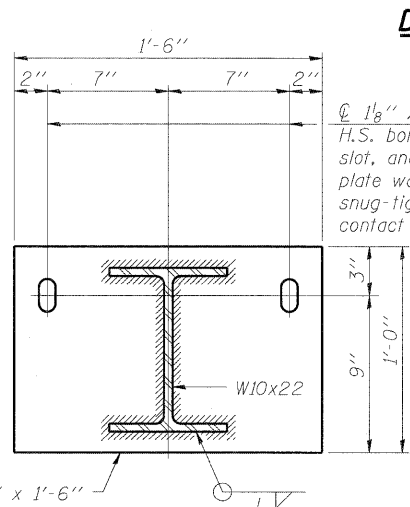
**DETAIL B - WELDED W10x22 TO W6x12 CONNECTION**



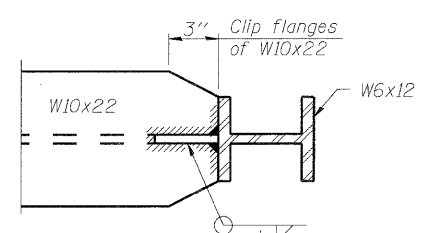
**DETAIL B - ALTERNATE BOLTED W10x22 TO W6x12 CONNECTION**



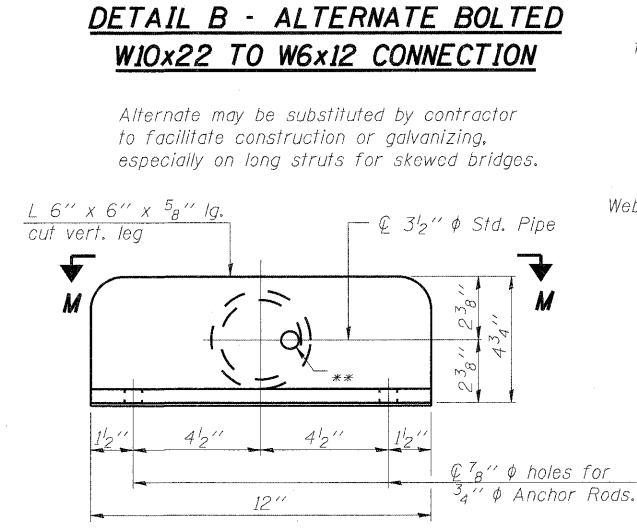
**SECTION N-N**  
Skewed connection detail for W10x22 to fascia beam.



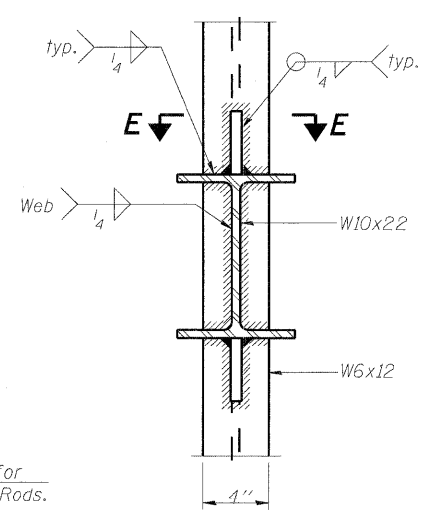
**SECTION D-D**  
Concrete beam or girder connection plate details.



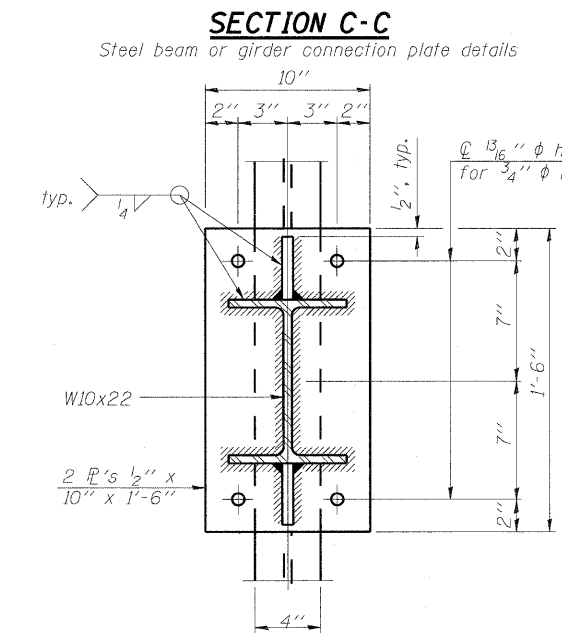
**SECTION E-E**



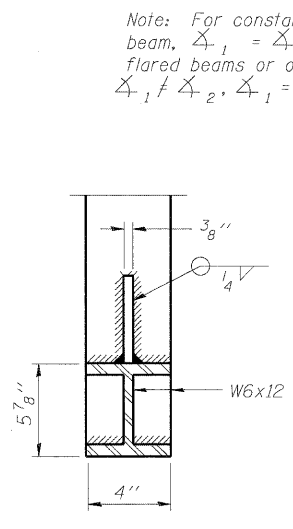
**VIEW F-F**



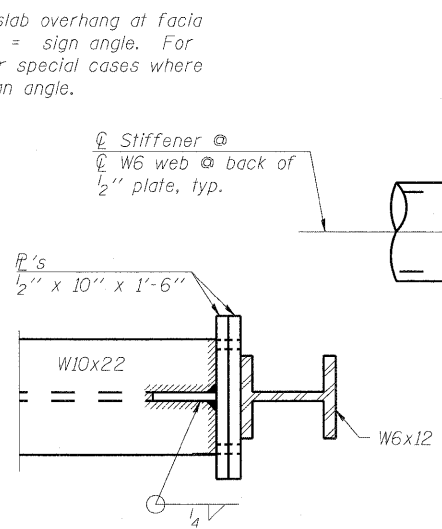
**SECTION H-H**



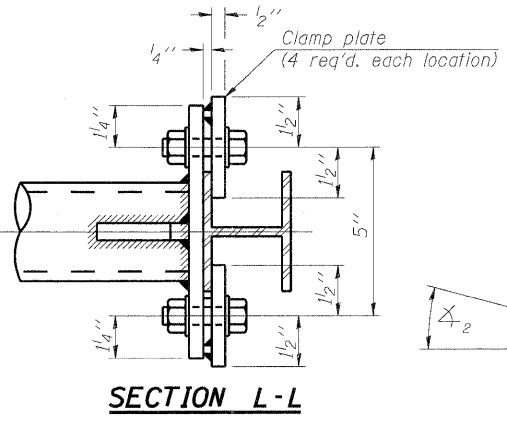
**SECTION I-I**



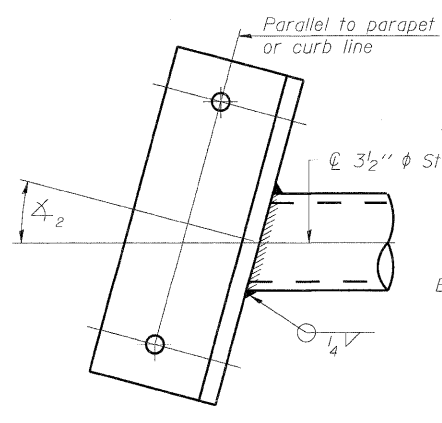
**SECTION J-J**



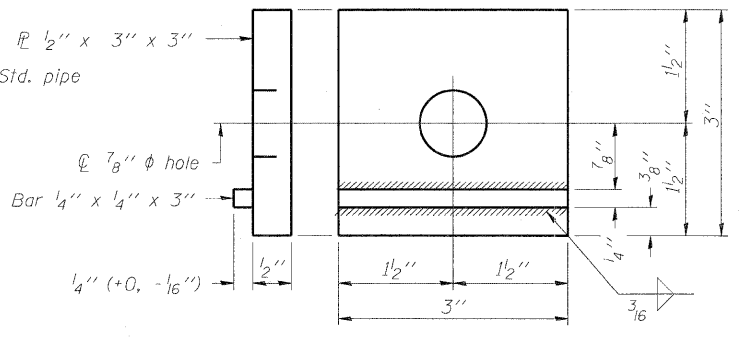
**SECTION K-K**



**SECTION L-L**



**SECTION M-M**  
Skewed connection detail for 3/2 inch pipe to parapet.



**CLAMP PLATE DETAILS**

BM-3 7-1-10

FILE NAME =	USER NAME =	DESIGNED - PMK	REVISD -
		CHECKED - MPW	REVISD -
		DRAWN - PMK	REVISD -
		CHECKED - MPW	REVISD -

STATE OF ILLINOIS  
DEPARTMENT OF TRANSPORTATION

BRIDGE MOUNT SIGN STRUCTURES  
CONNECTION DETAILS

SHEET NO. 3 OF 4 SHEETS

F.A.I. RTE.	SECTION	COUNTY	TOTAL SHEETS	SHEET NO.
	82-1-R(A), 82-1-R(B)	ST. CLAIR	629	431
			64/998/70	CONTRACT NO. 76C52
ILLINOIS FED. AID PROJECT				