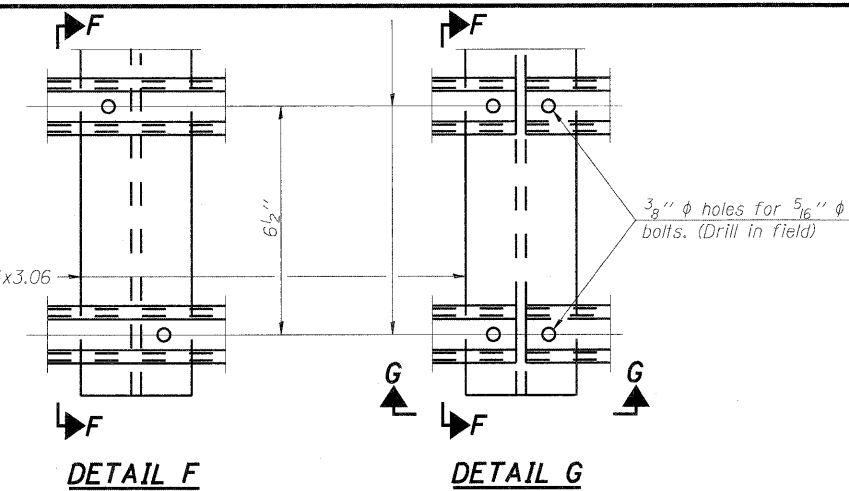


HANDRAIL DETAILS

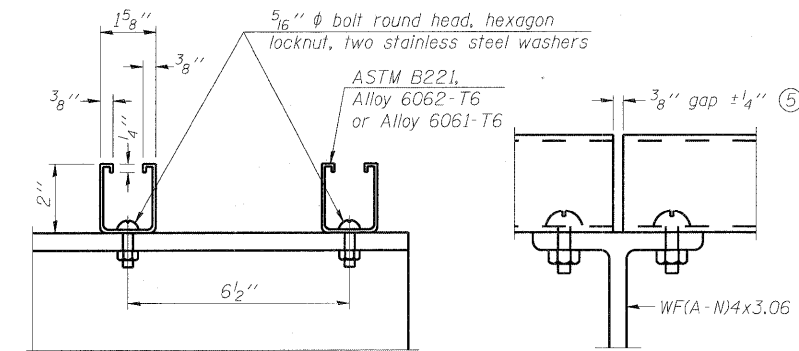
Handrail pipe shall be ASTM B241 or B429, Alloy 6063-T6 or Alloy 6061-T6.

② Horizontal handrail member shall be continuous thru fitting. Provide 1/16" hole in fitting for 3/8" bolt. Field drill 1/16" hole in horizontal rail member. Provide locknut and two stainless steel washers for bolt. (Use 5/16" eyebolts in 1/16" holes on top rail at ends only.)



DETAIL F

DETAIL G

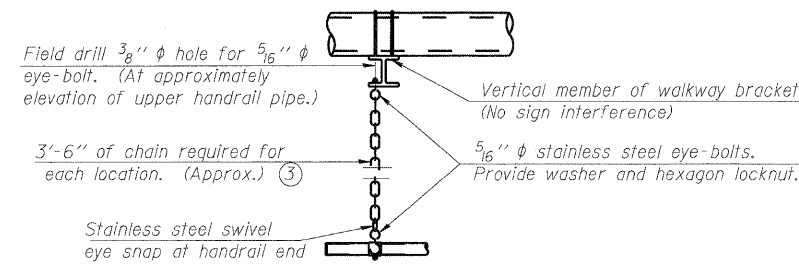


SECTION F-F

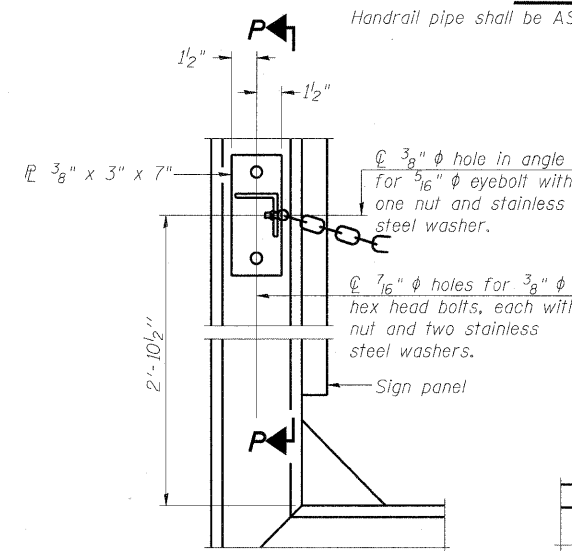
SECTION G-G

LIGHTING FIXTURE MOUNTS (IF REQUIRED)

⑤ Field cut ends of light support channels shall be free of burrs or hazardous projections and coated with zinc-rich primer or equivalent.



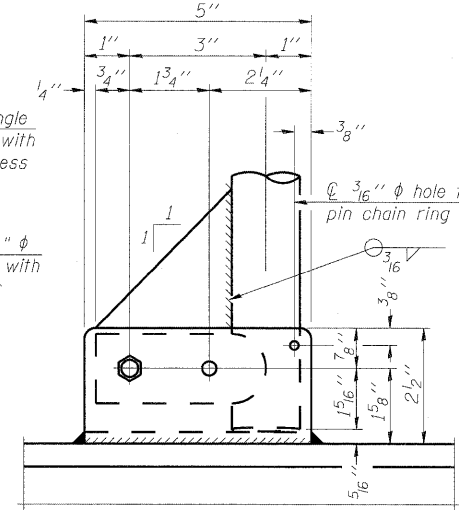
Field drill 3/8" hole for 5/16" eye-bolt. (At approximately elevation of upper handrail pipe.)



ALTERNATE SAFETY CHAIN ATTACHMENT

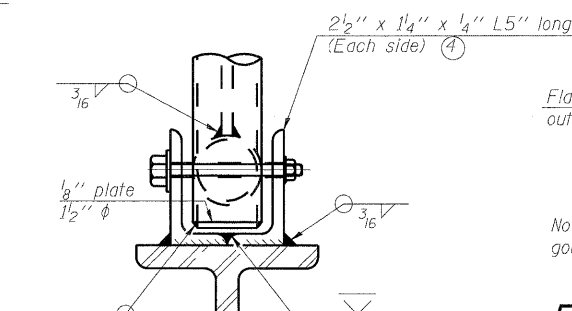
(With Sign Present)

Items not shown same as "Side Elevation" of "Handrail Details"



SIDE ELEVATION

Drill and ream for 3/8" bolt with two hexagon locknuts and two stainless steel washers.

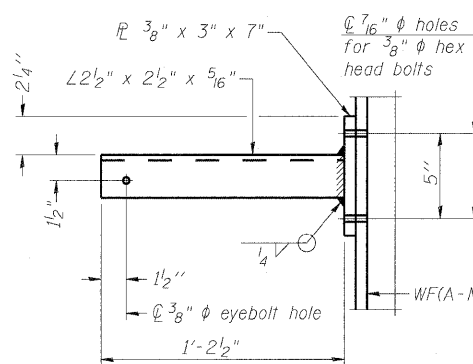


FRONT ELEVATION

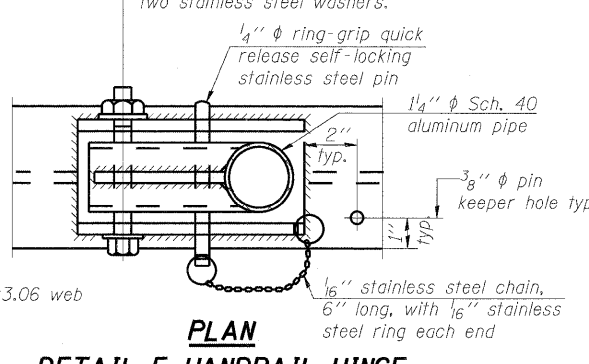
Details not shown same as "ELEVATION" at right.

ELEVATION AT HANDRAIL JOINT ④

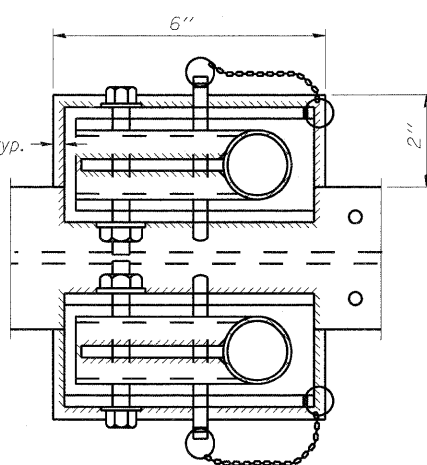
Details not shown same as "FRONT ELEVATION"



SECTION P-P

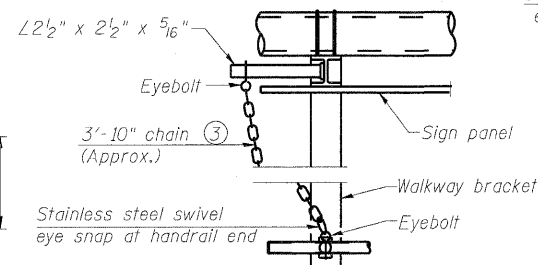


PLAN DETAIL E HANDRAIL HINGE



PLAN AT HANDRAIL JOINT

Details not shown same as "PLAN"



ALTERNATE SAFETY CHAIN ATTACHMENT

Details not shown similar to "Safety Chain" Details (Walkway omitted for clarity)

③ 3/16" Type 304L stainless steel chain, approximately 12 links per foot.

④ Extrusions may be used in lieu of the details shown, with approval of the Engineer.

NUMBER	REVISION	DATE

OSC-A-8

12-1-08

FILE NAME =	USER NAME =	DESIGNED - PMK	REVISED -
		CHECKED - MPW	REVISED -
	PLDT SCALE =	DRAWN - PMK	REVISED -
	PLDT DATE =	CHECKED - MPW	REVISED -

STATE OF ILLINOIS
DEPARTMENT OF TRANSPORTATION

CANTILEVER SIGN STRUCTURES
HANDRAIL DETAILS ALUMINUM TRUSS & STEEL POST

SHEET NO. 11 OF 13 SHEETS

F.A.I. RTE.	SECTION	COUNTY	TOTAL SHEETS	SHEET NO.
	82-1-R(A), 82-1-R(B)	ST. CLAIR	629	424
	64/998/70	CONTRACT NO. 76C52		
ILLINOIS FED. AID PROJECT				