

**SPECIFICATIONS FOR STANDARD ALUMINUM GRATING**

Main Bearing Bars shall be 3/16" x 1 1/2" on 1 3/16" centers and conform to ASTM B221 Alloy 6061-T6.

Cross bars shall be 3/16" x 1 1/2" on 4" centers and conform to ASTM B221 Alloy 6063-T5 or 6061-T6.

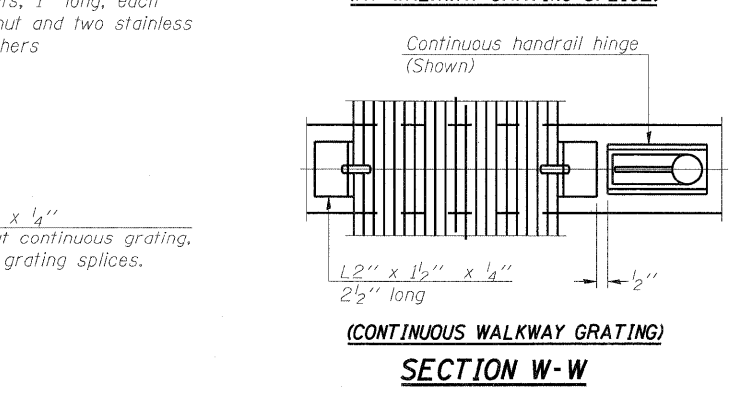
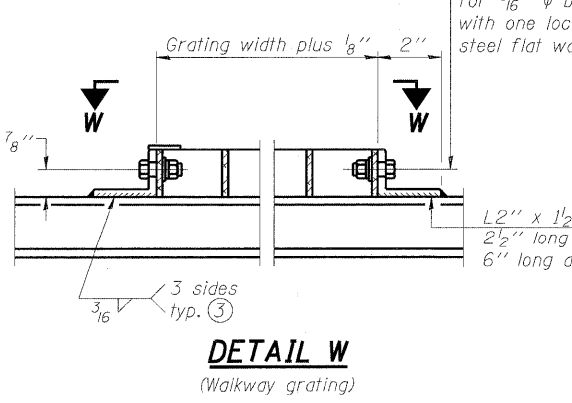
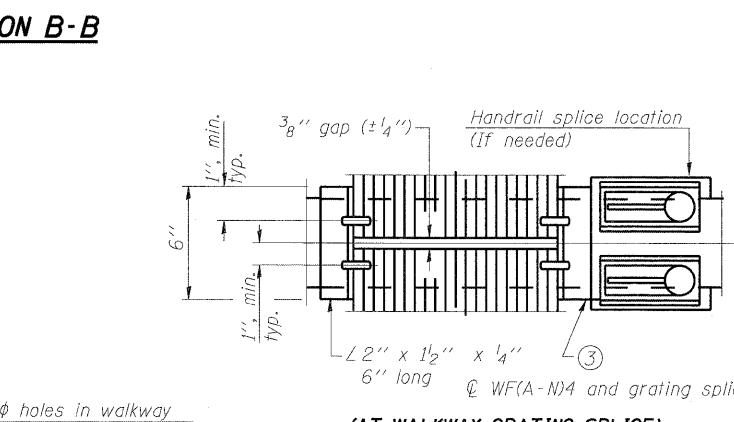
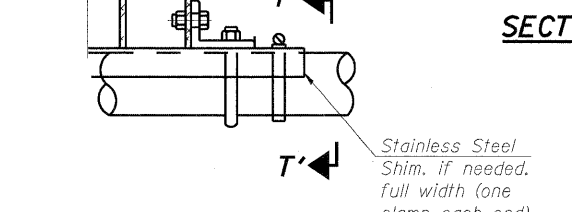
**OR**

Aluminum Grating with modified "I" sections for main bearing bars shall meet the following requirements:

Main bars shall conform to ASTM B221 Alloy 6061-T6 and have a minimum section modulus equal to 0.0705 in.<sup>3</sup> per bar, a depth of 1 1/2", spaced on 1 3/16" centers.

Cross bars shall conform to ASTM B221 Alloy 6063-T5 or T-42 and spaced on 4" centers.

- Drilling holes in grating may be done in shop or field, based on Contractor's preference and subject to accurate alignment.
- Stainless steel shims shall be placed as shown in Detail T if needed to compensate for alignment variations between horizontal and diagonal pipes beyond adjustment provided by angles. Thicker shims may be used subject to shims performing properly.
- If Handrail Joint present, weld angle to WF(A-N)4 and 1/4" extension bars. (See Base Sheet OS-A-II.)
- 1/2" x 1/2" x 2" welded to handrail posts to protect locations that contact grating.
- Tube to grating gap may vary from 0 to 1/2", max. to align walkway, allow for camber, etc.
- Based on actual height of tallest sign given on OS-A-I.



Structure Number	Station	A	⑥ B	C	⑥ D
8S0821055R003.1	88+00.00	7 1/2"	7'-9"	5'-6"	13'-9"
8S0821055L003.2	68+75.00	7 1/2"	6'-6"	7'-0"	14'-0"
8S0821055L003.0	78+19.81	6"	8'-10 1/2"	5'-3"	14'-7 1/2"
8S0821064L003.0	110+12.00	7 1/2"	6'-3"	7'-0"	13'-9"

OS-A-10

7-1-10

FILE NAME =	USER NAME =	DESIGNED - PMK	REVISED -
		CHECKED - MPW	REVISED -
		DRAWN - PMK	REVISED -
		CHECKED - MPW	REVISED -

STATE OF ILLINOIS
DEPARTMENT OF TRANSPORTATION

OVERHEAD SIGN STRUCTURES
ALUMINUM WALKWAY DETAILS
SHEET NO. 12 OF 17 SHEETS

F.A.I. RTE.	SECTION	COUNTY	TOTAL SHEETS	SHEET NO.
•	82-1-RIA), 82-1-RIB)	ST. CLAIR	629	408
•64/998/70		CONTRACT NO. 76C52		
		ILLINOIS FED. AID PROJECT		