

* Center of horizontal to center of splice dimension may vary. Verify before drilling holes in mounting tube.

PLAN DETAIL "A"

Span between Panel Points.

PLAN DETAIL "B"

Span at Panel Point

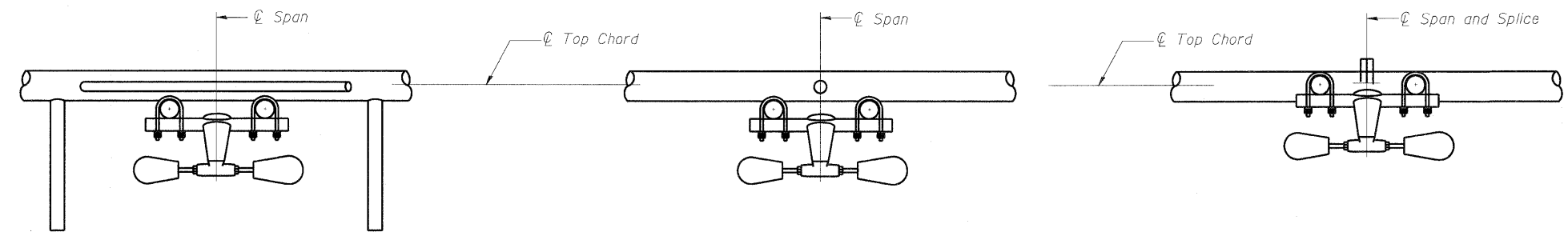
PLAN DETAIL "C"

Span at Chord Splice

NOTES

Damper: One damper per truss. (31 lbs. minimum Stockbridge-Type Aluminum - 29" minimum between ends of weights) Cost included in Overhead Sign Structure...

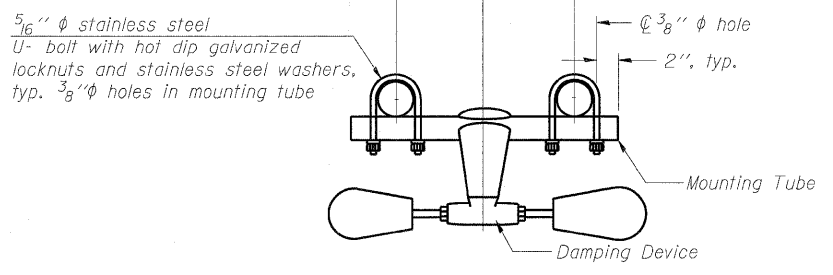
Materials: Materials: Aluminum tubes shall be ASTM B221 alloy 6061 temper T6. Cost included in Overhead Sign Structure...



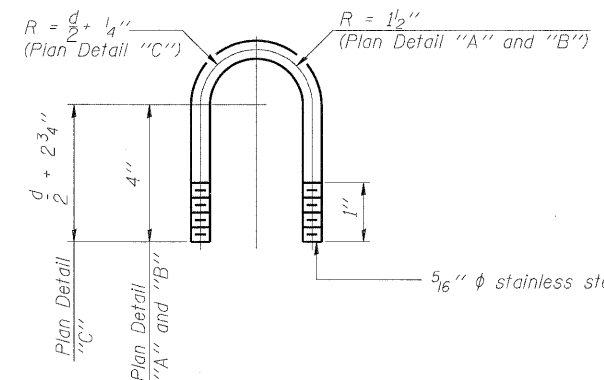
SECTION A-A

SECTION B-B

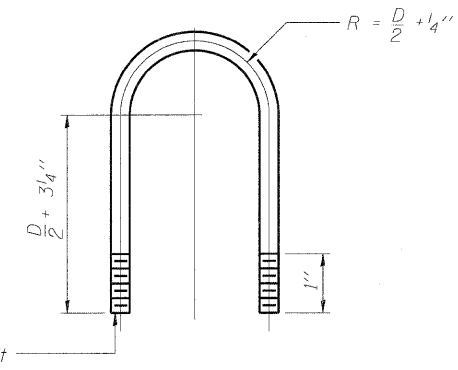
SECTION C-C



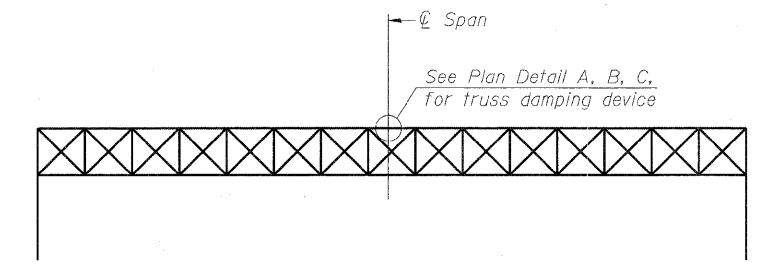
TRUSS DAMPING DEVICE CONNECTION DETAIL
(Typical)



DAMPING DEVICE MOUNTING TUBE U-BOLT DETAIL
(Typical)



TOP CHORD TO CROSS TUBE U-BOLT DETAIL
(Typical - Detail "A" and "B")



ELEVATION
Aluminum Overhead Sign Truss

OS-A-D

7-1-10

FILE NAME =	USER NAME =	DESIGNED - PMK	REVISOR -	STATE OF ILLINOIS DEPARTMENT OF TRANSPORTATION	OVERHEAD SIGN STRUCTURE DAMPING DEVICE	F.A.I. RTE.	SECTION	COUNTY	TOTAL SHEETS	SHEET NO.
		CHECKED - MPW	REVISOR -			82-1-R(A), 82-1-R(B)	ST. CLAIR	629	401	
		DRAWN - PMK	REVISOR -			*64/998/70	CONTRACT NO. 76C52			
		PLOT DATE =	REVISOR -			ILLINOIS FED. AID PROJECT				
		CHECKED - MPW	REVISOR -			SHEET NO. 5 OF 17 SHEETS				