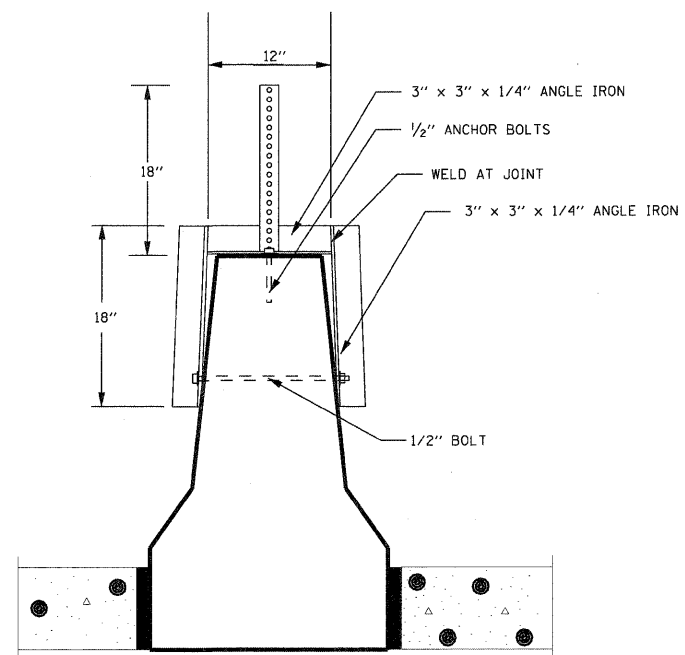


ELEVATION



END VIEW

FILE NAME = DBTR1-76C52-sht-signs-23.dgn	USER NAME = mmccornachie	DESIGNED - PMK	REVISED -	STATE OF ILLINOIS DEPARTMENT OF TRANSPORTATION	WALL MOUNTED SIGN BASE DETAIL FOR TELESCOPING STEEL SIGN SUPPORT (SPECIAL)			F.A.I. RTE.	SECTION	COUNTY	TOTAL SHEETS	SHEET NO.
		DRAWN - PMK	REVISED -		SCALE: N/A	SHEET NO. 1 OF 1 SHEETS	STA. N/A TO STA. N/A	82-1-R(A), 82-1-R(B)	ST. CLAIR	629	396	
		CHECKED - MPW	REVISED -					*64/998/70	CONTRACT NO. 76C52			
		DATE - 1-20-12	REVISED -					FED. ROAD DIST. NO.	ILLINOIS FED. AID PROJECT			