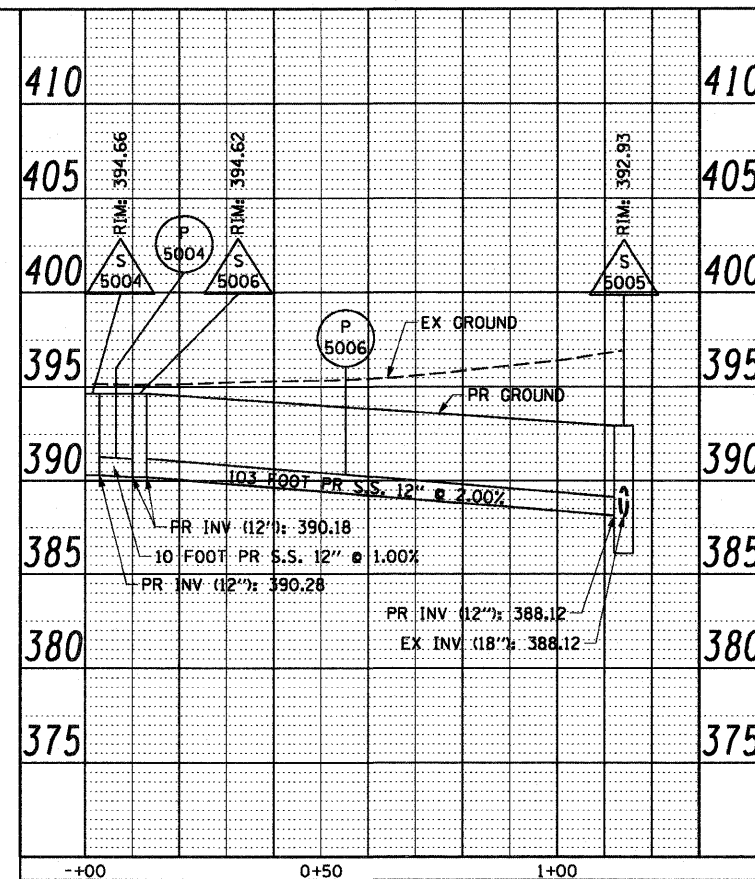
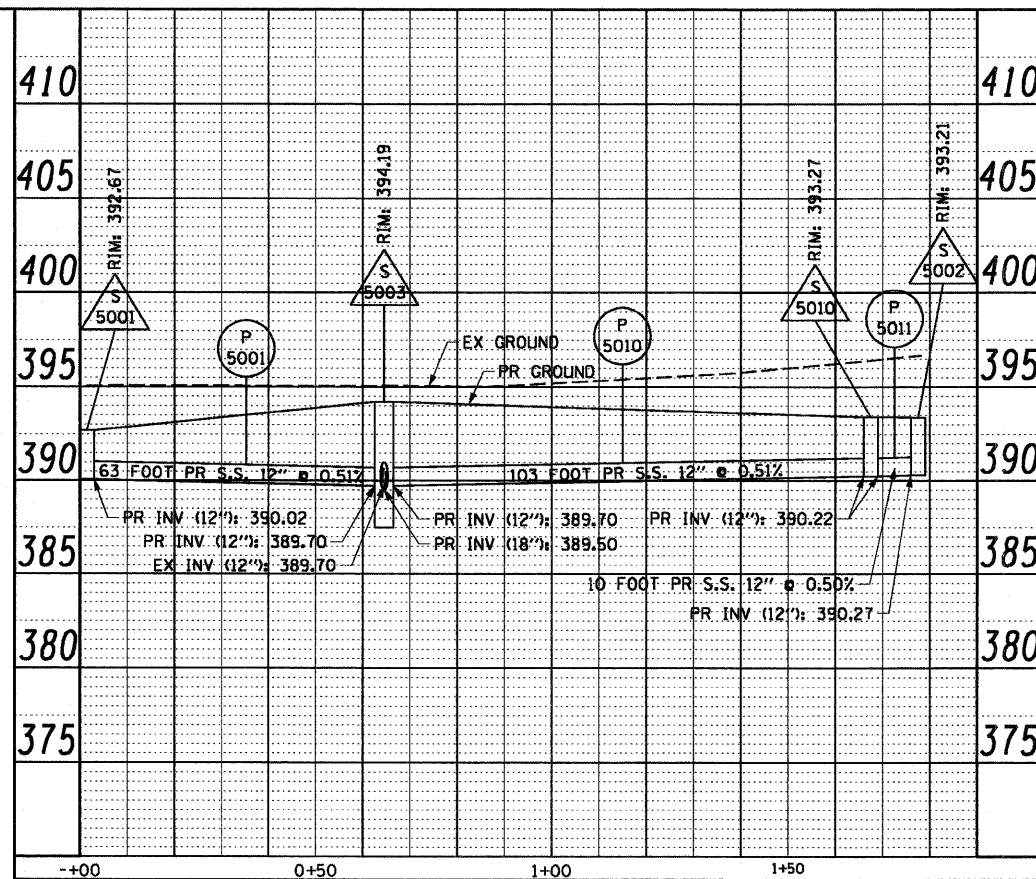
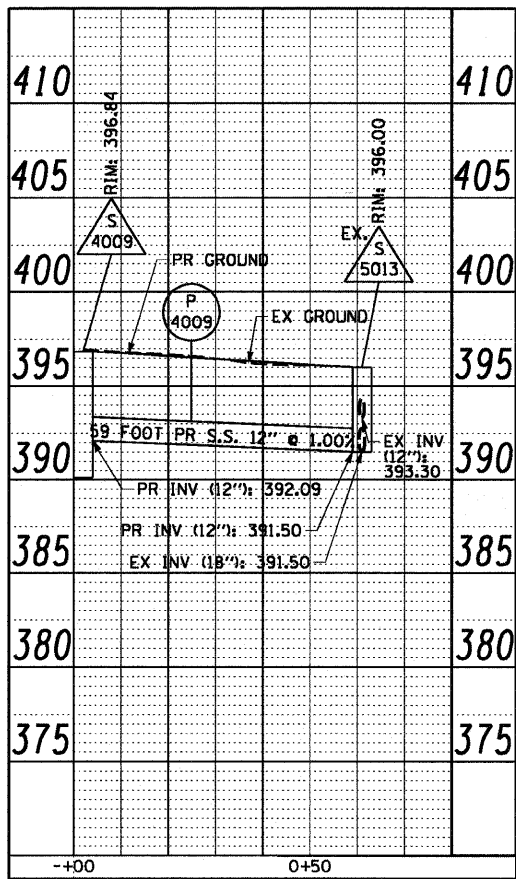
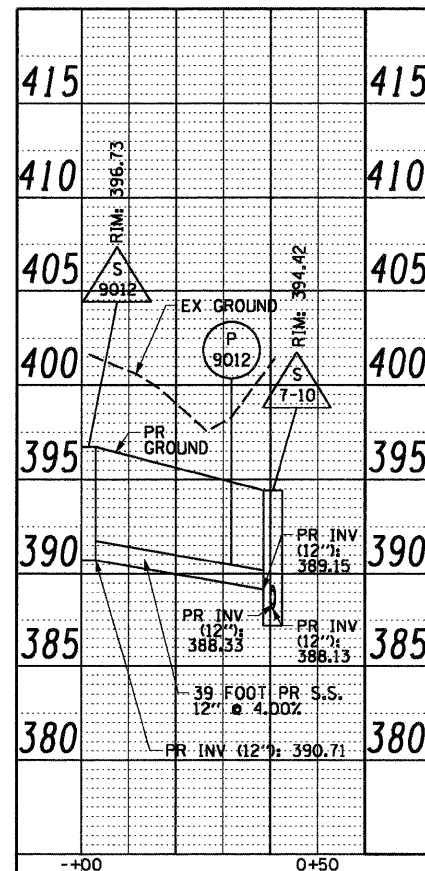
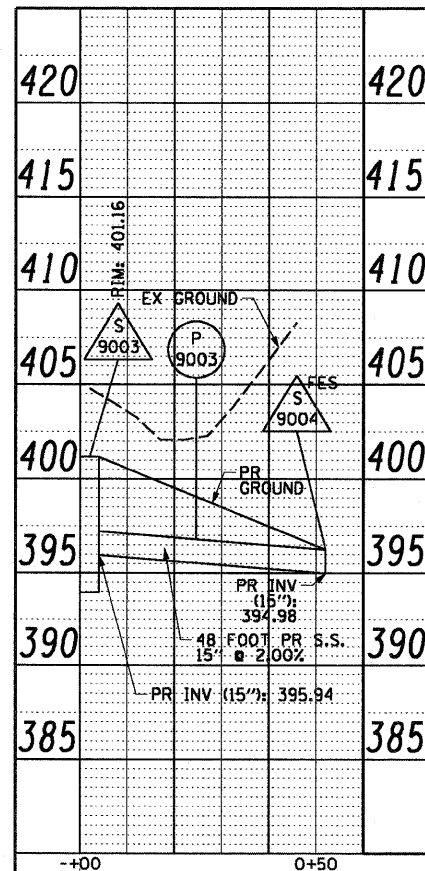
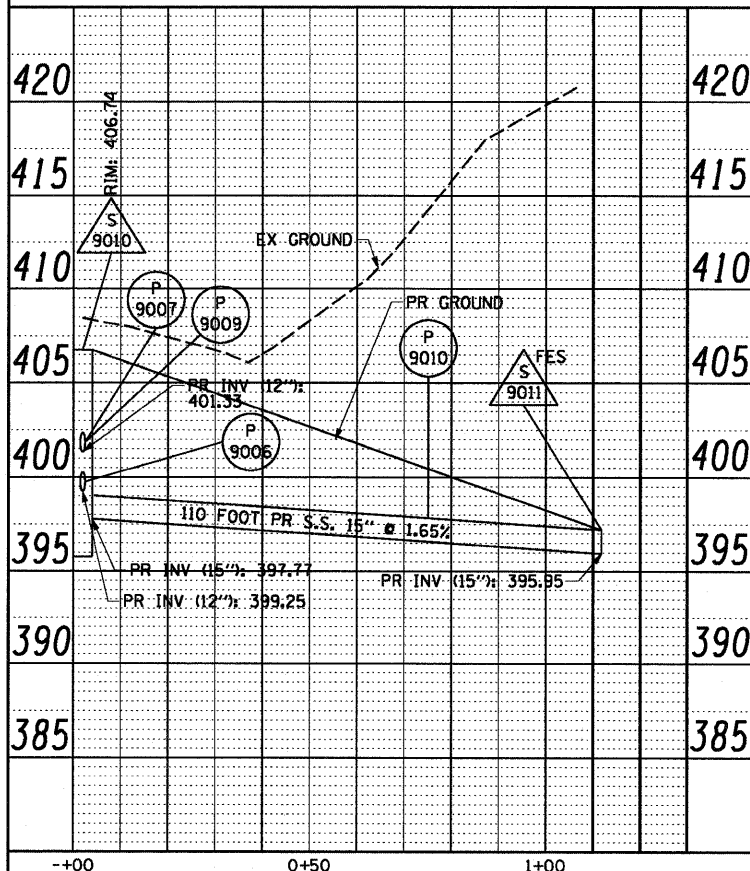


DATE: \_\_\_\_\_  
 BY: \_\_\_\_\_  
 SURVEYED: \_\_\_\_\_  
 CHECKED: \_\_\_\_\_  
 ALIGNED: \_\_\_\_\_  
 RT. OF WAY CHECKED: \_\_\_\_\_  
 NO. \_\_\_\_\_  
 PLAN: \_\_\_\_\_  
 NOTE BOOK: \_\_\_\_\_  
 NO. \_\_\_\_\_  
 ADD. FILE NAME: \_\_\_\_\_



DATE: \_\_\_\_\_  
 BY: \_\_\_\_\_  
 SURVEYED: \_\_\_\_\_  
 CHECKED: \_\_\_\_\_  
 ALIGNED: \_\_\_\_\_  
 RT. OF WAY CHECKED: \_\_\_\_\_  
 NO. \_\_\_\_\_  
 PROFILE: \_\_\_\_\_  
 NOTE BOOK: \_\_\_\_\_  
 NO. \_\_\_\_\_  
 STRUCTURE NOTATIONS CHECKED: \_\_\_\_\_



FILE NAME = DBTRI-76C52-Sht-Prof-Drain-32-MISC-04.dgn  
 USER NAME = searsb  
 PLOT SCALE = 48.000' / in.  
 PLOT DATE = 1/25/2012

DESIGNED KLK  
 DRAWN KLK  
 CHECKED EY  
 DATE 1-20-12

REVISED -  
 REVISED -  
 REVISED -  
 REVISED -

STATE OF ILLINOIS  
 DEPARTMENT OF TRANSPORTATION

DRAINAGE PROFILES - MISCELLANEOUS

SCALE: SHEET NO. 32 OF 32 SHEETS STA. N/A TO STA. N/A

F.A.I. RTE.	SECTION	COUNTY	TOTAL SHEETS	SHEET NO.
64/998/70	82-1-RIA, 82-1-R(B)	ST. CLAIR	629	299
FED. ROAD DIST. NO.		ILLINOIS FED. AID PROJECT		