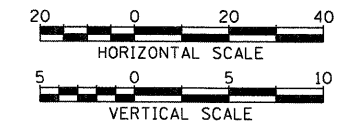
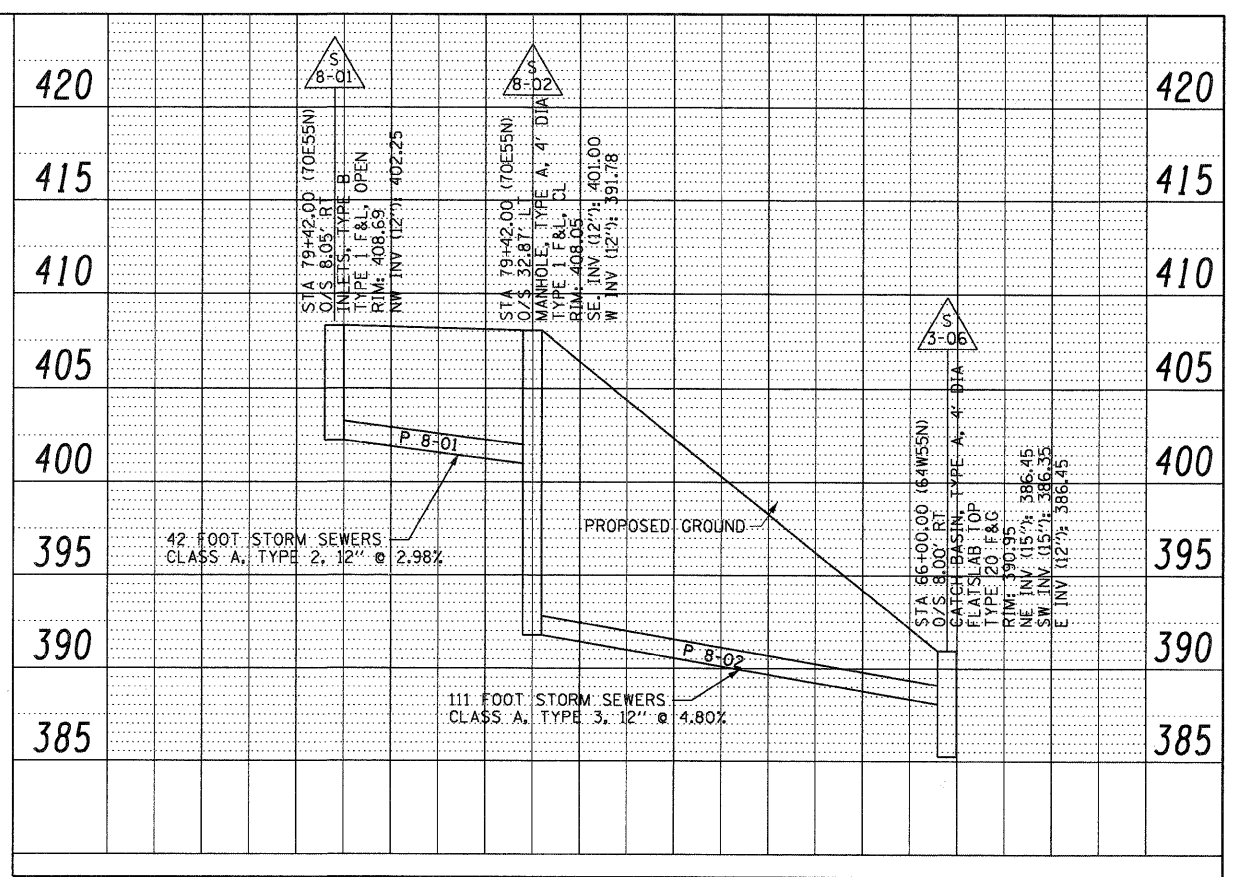
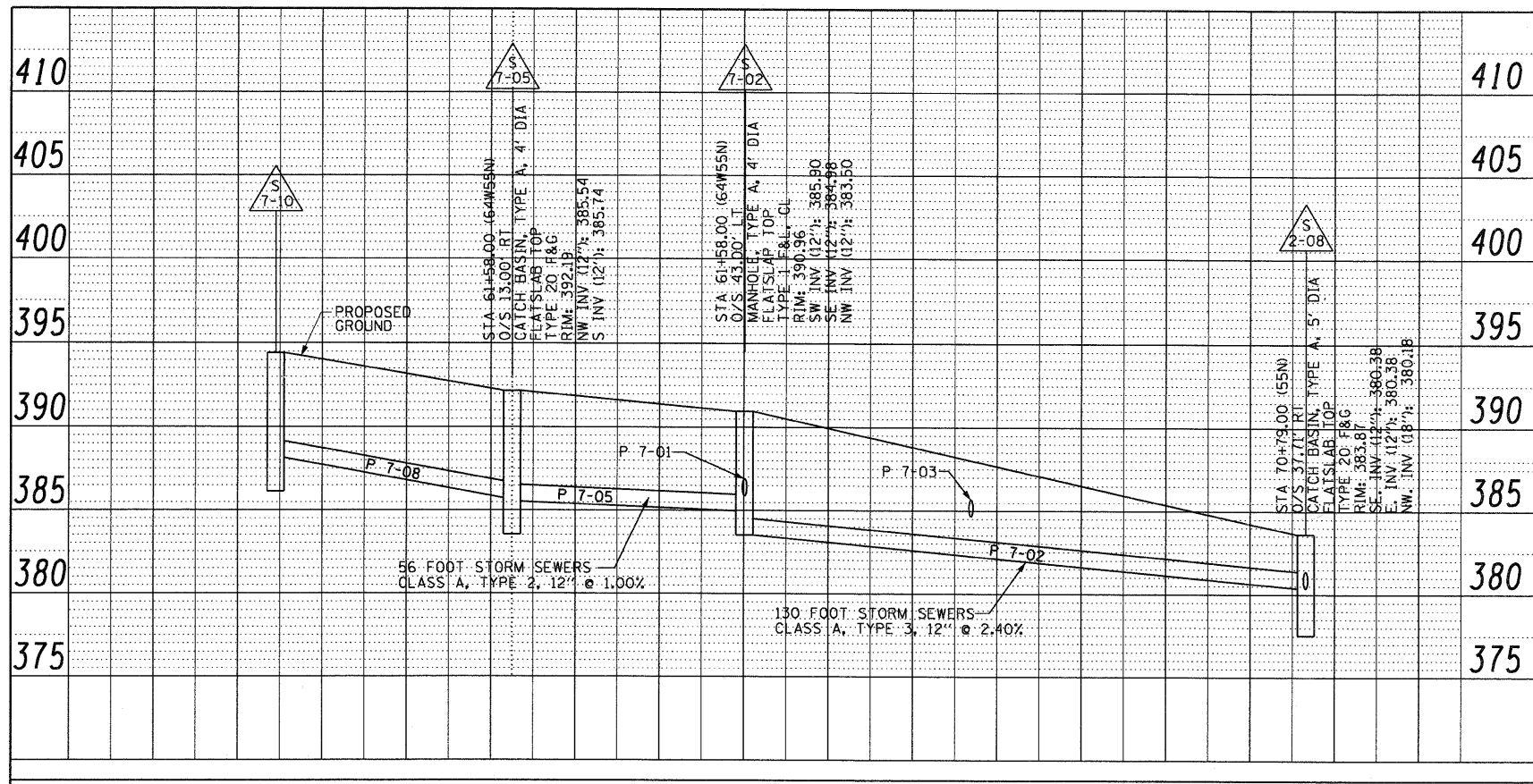
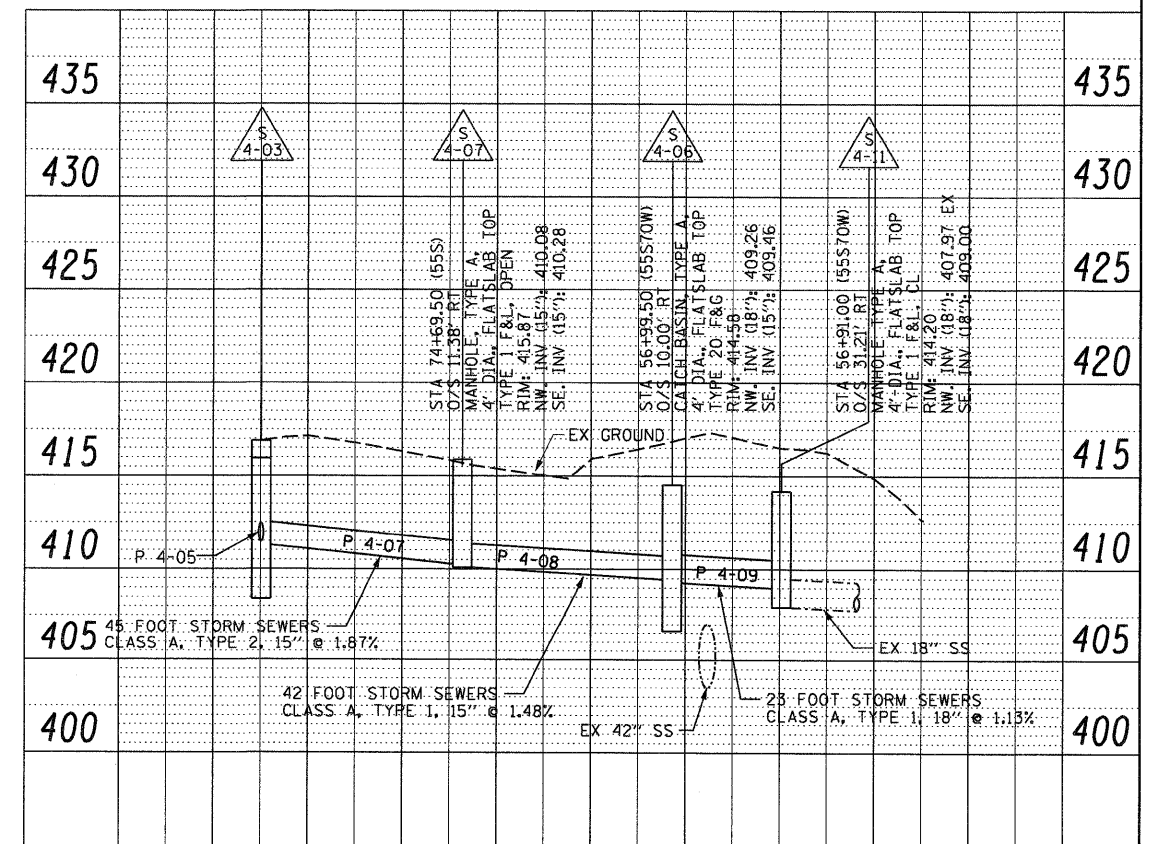
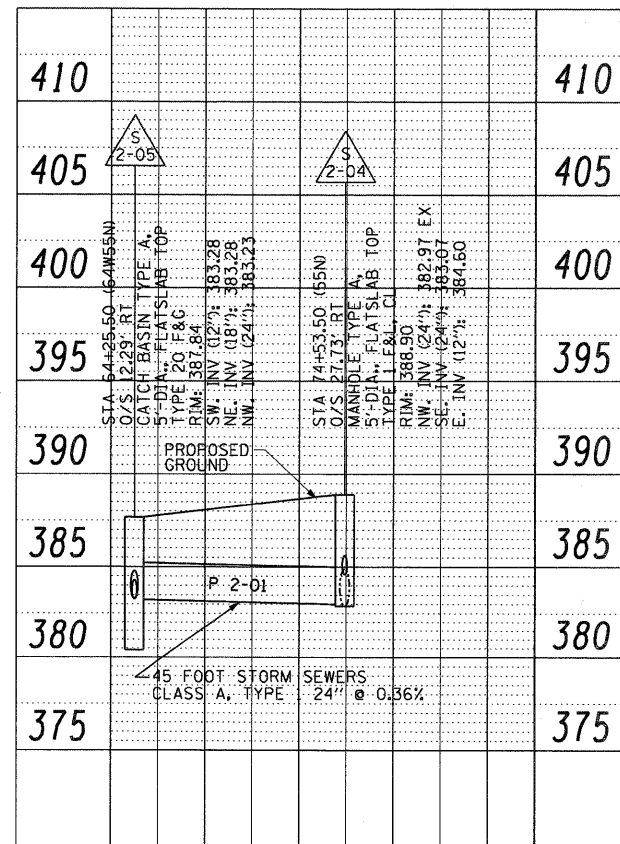
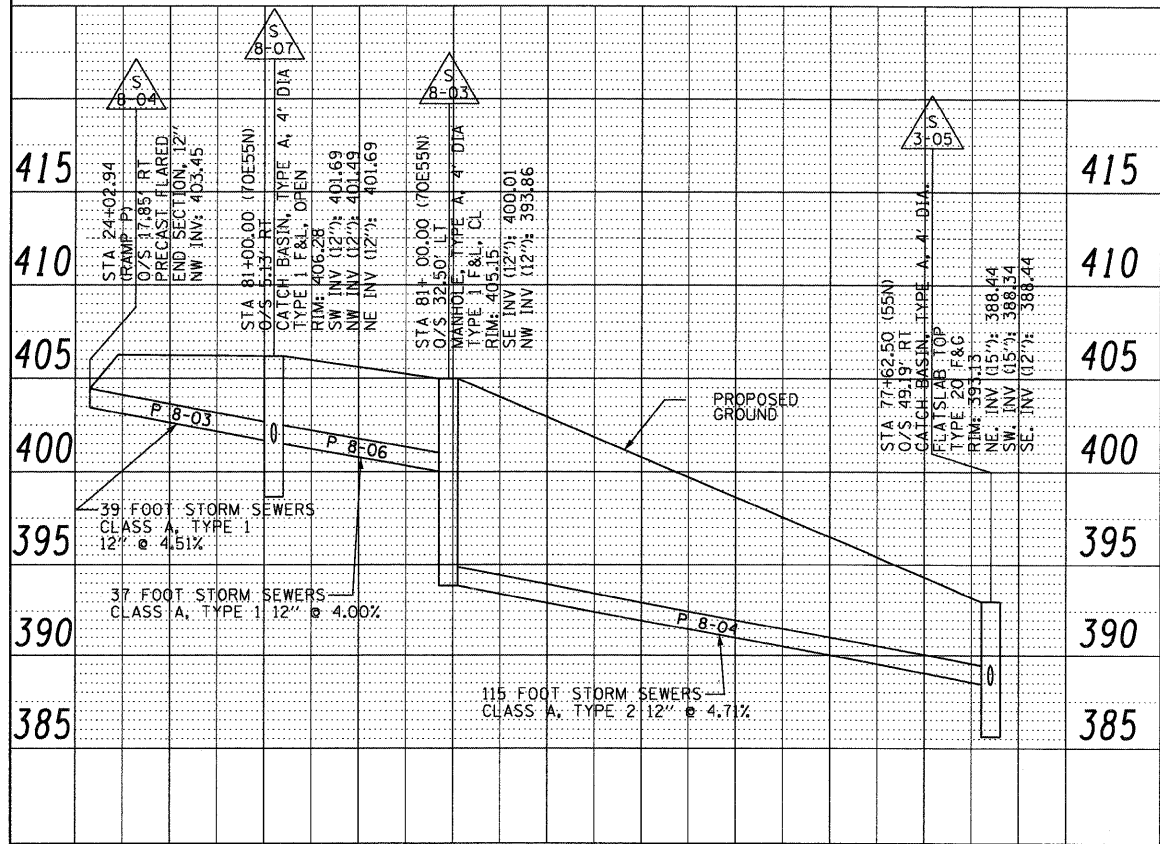


PLAN	SURVEYED	DATE
	ALIGNED	
	CHECKED	
	BY	
	NO.	
	RT. OF WAY	
	CHECKED	
	DATE	
	FILE NAME	



PROFILE	SURVEYED	DATE
	GRADES	
	CHECKED	
	BY	
	NO.	
	STRUCTURE	
	NOTATING	
	CHKD	



FILE NAME =	USER NAME = searsb	DESIGNED -	REVISED -
DBTRI-76C52-Sht-Prof-Drain-30-MISC-02.dgn		DRAWN -	REVISED -
PLOT SCALE = 40.000' / in.		CHECKED -	REVISED -
PLOT DATE = 1/24/2012		DATE -	REVISED -

STATE OF ILLINOIS
DEPARTMENT OF TRANSPORTATION

DRAINAGE PROFILES - MISCELLANEOUS		F.A.I. RTE.	SECTION	COUNTY	TOTAL SHEETS	SHEET NO.
SCALE: SHEET NO. 30 OF 32 SHEETS STA. N/A TO STA. N/A		•	82-1-RIA), 82-1-R(B)	ST. CLAIR	629	297
		•	64/998/70	CONTRACT NO. 76C52		
		FED. ROAD DIST. NO.	ILLINOIS	FED. AID PROJECT		