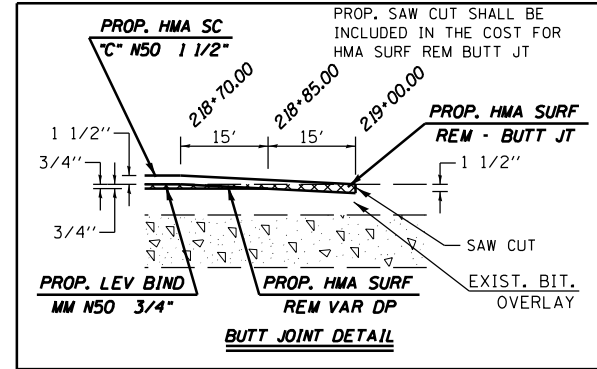


(19)

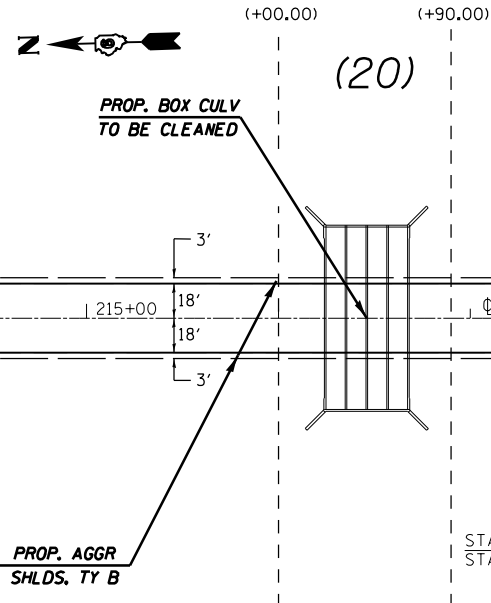
(21)

+70.00  
+85.00  
+00.00

SEE SHEET 13-14 FOR  
SIGN REPLACEMENT SCHEDULE



MATCH LINE STA. 214+00.00



LIMITS OF PAVING  
IMPROVEMENT  
AT STA. 219+00.00  
PROP. BUTT JOINT

STA 219+29.00 FAP 514 (IL 94)  
STA 10+00.00 (POWELLTON RD.)

SIGN REPLACEMENT CONTINUES  
TO STA. 320+55.00

STA 219+37.00 FAP 514 (IL 94)  
STA 10+00.00 (POWELLTON RD.)

(OVER GROVE CREEK)  
S.N. 034-2009  
@ STA. 216+46.00  
4-10'X10' LENGTH 44'

FILE NAME =	USER NAME = sparksgw	DESIGNED - JWC	REVISED -
c:\pwwork\pwwork\sparksgw\0221152\0672	C92-shr-plan.dgn	DRAWN - JWC	REVISED -
	PLOT SCALE = 100.0000' / in.	CHECKED - MSD	REVISED -
	PLOT DATE = Feb-07-2012 01:52:04PM	DATE -	REVISED -

STATE OF ILLINOIS  
DEPARTMENT OF TRANSPORTATION

PLAN SHEETS

SCALE: 50 SHEET NO. 8 OF 8 SHEETS STA. 214+00.00 TO STA. 220+00.00

F.A.P. RTE.	SECTION	COUNTY	TOTAL SHEETS	SHEET NO.
514	106RS-6	HANCOCK	26	22
CONTRACT NO. 72C92			ILLINOIS FED. AID PROJECT	