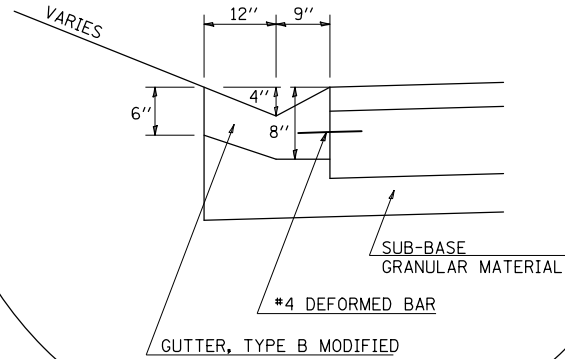


GUTTER LOCATIONS

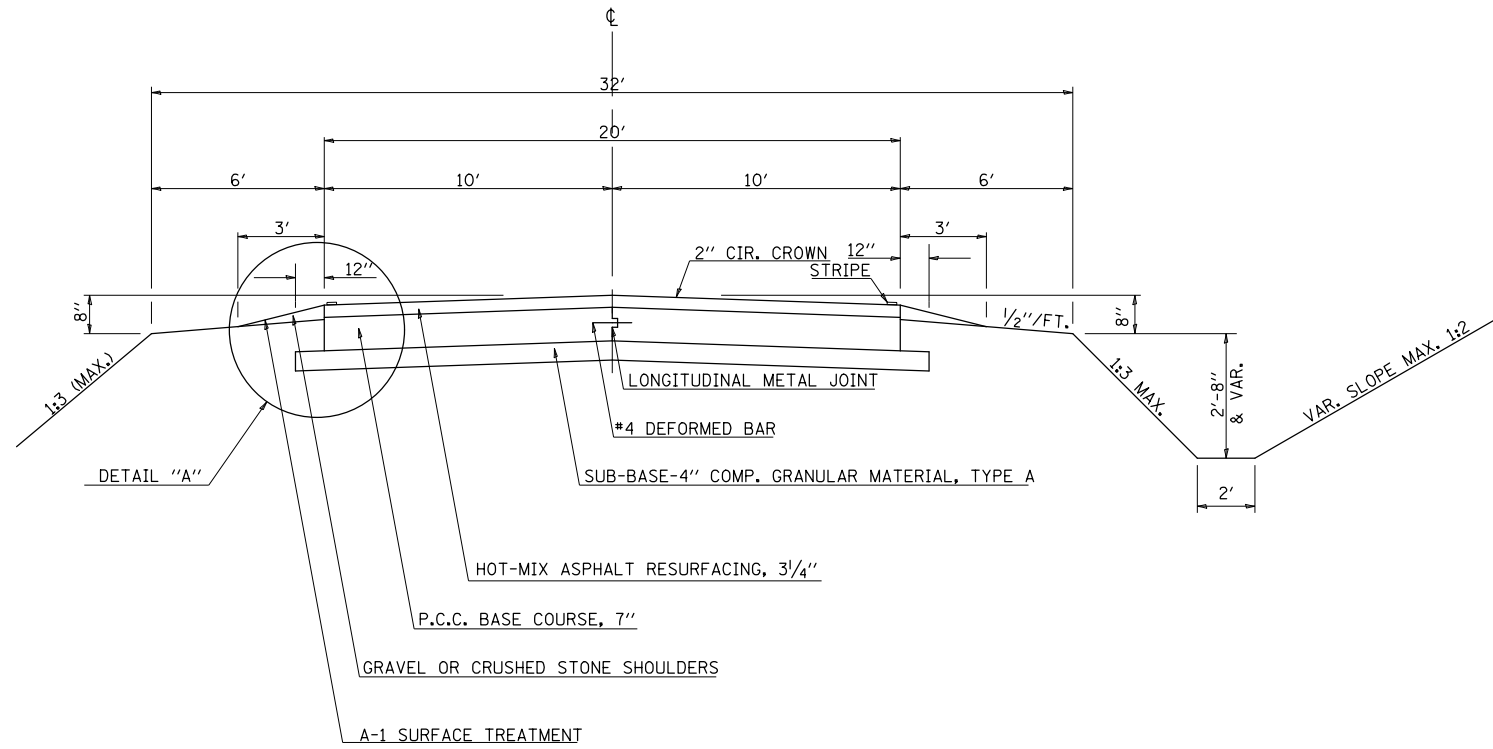
DETAIL "A"

LT. STA. 269+04 TO STA. 272+42
 LT. STA. 278+85 TO STA. 284+93
 LT. STA. 298+10 TO STA. 301+92
 RT. STA. 278+87 TO STA. 284+92
 RT. STA. 298+10 TO STA. 302+30
 RT. STA. 311+07 TO STA. 317+94



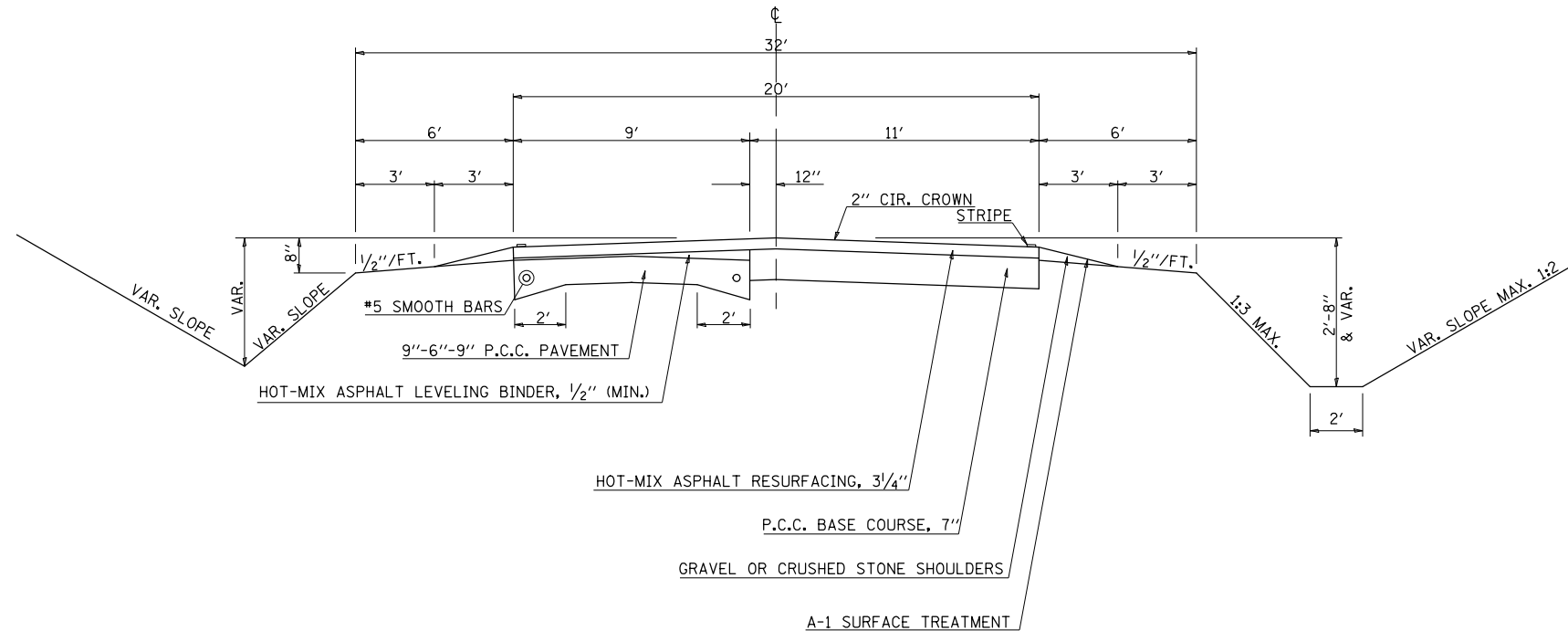
EXISTING TYPICAL CROSS SECTION

STA. 217+49 TO STA. 225+49
 STA. 230+49 TO STA. 236+99
 STA. 240+49 TO STA. 244+49
 STA. 265+49 TO STA. 322+99



EXISTING TYPICAL CROSS SECTION

STA. 225+49 TO STA. 230+49
 STA. 236+99 TO STA. 240+49
 STA. 244+49 TO STA. 265+49
 STA. 322+99 TO STA. 331+41
 STA. 335+13 TO STA. 372+12.5



FILE NAME =	USER NAME = dawsonkb	DESIGNED -	REVISED -
ct:\pw\work\p1dot\dawsonkb\0288686\0570930-sh-typical.dgn		DRAWN -	REVISED -
PLOT SCALE = 40.0000' / in.		CHECKED -	REVISED -
PLOT DATE = 1/31/2012		DATE -	REVISED -

**STATE OF ILLINOIS
 DEPARTMENT OF TRANSPORTATION**

EXISTING TYPICAL SECTION

SCALE: _____ SHEET _____ OF _____ SHEETS STA. _____ TO STA. _____

F.A.S. RTE.	SECTION	COUNTY	TOTAL SHEETS	SHEET NO.
522	(4)RS	Champaign	23	5
CONTRACT NO. 70930				
ILLINOIS FED. AID PROJECT				