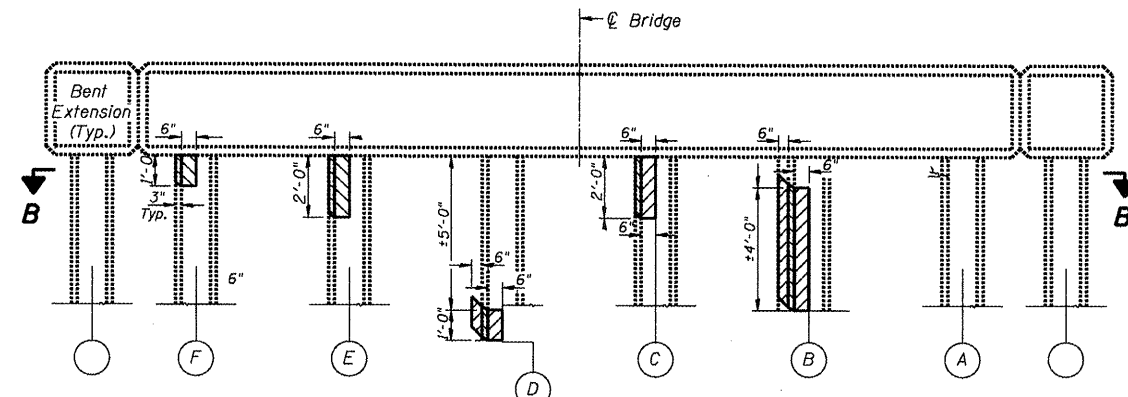
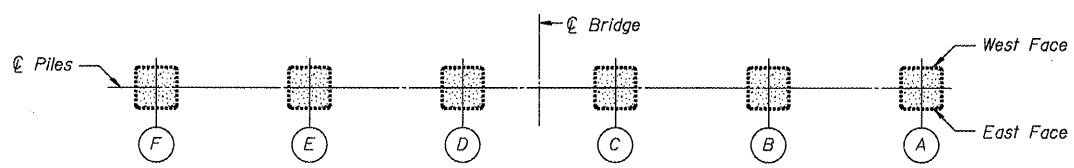


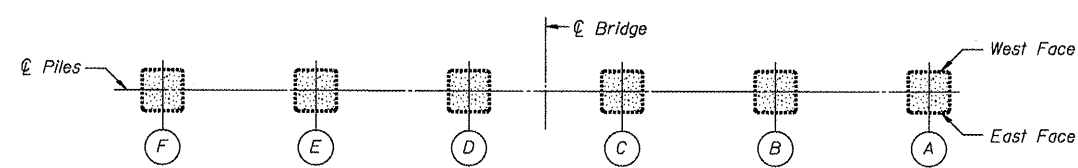
**BENT #2 (East Face)**  
(See Detail A)



**BENT #3 (East Face)**  
(See Detail A)

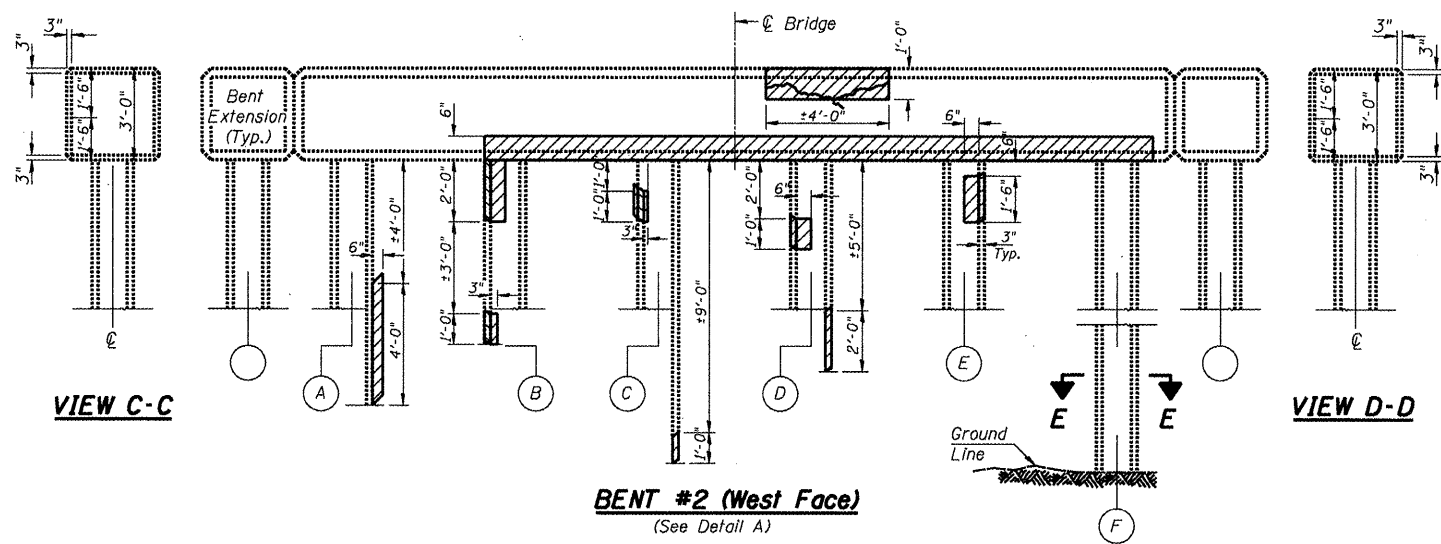


**SECTION A-A**

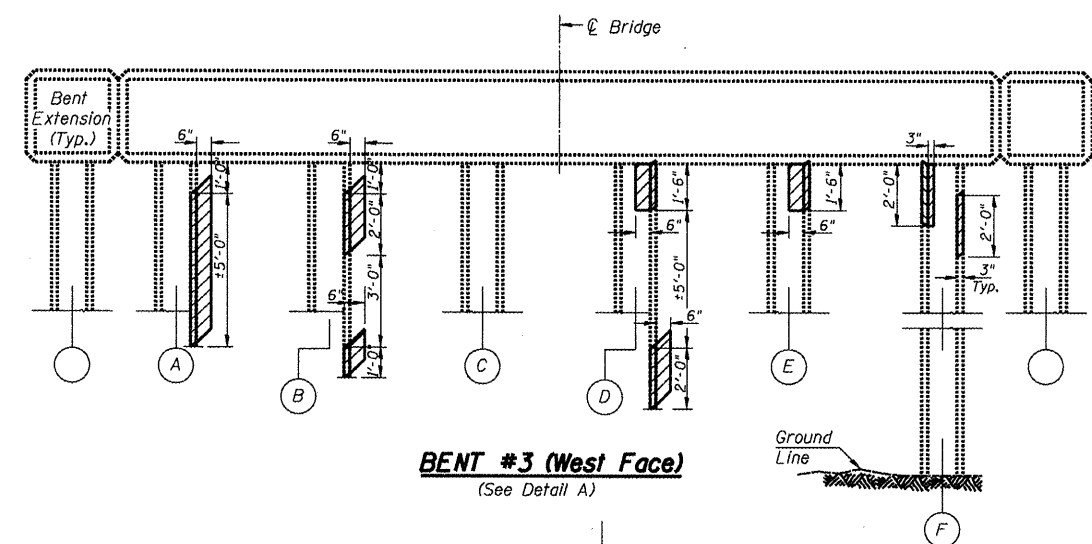


**SECTION B-B**

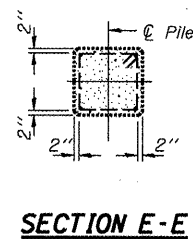
Metalizing Bridge Concrete Surface



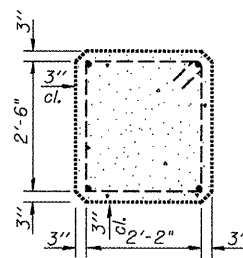
**BENT #2 (West Face)**  
(See Detail A)



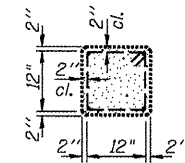
**BENT #3 (West Face)**  
(See Detail A)



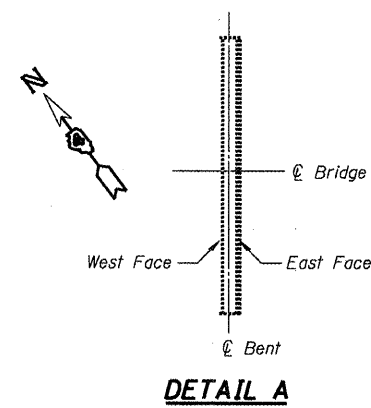
**SECTION E-E**



**TYP. SECTION THRU. BENT**



**TYP. SECTION THRU. PILE**



**DETAIL A**

**BILL OF MATERIAL**

Item	Unit	Total
Thermal Spraying (Metalizing) Bridge Concrete Surface	SQFT	183
Blast Cleaning Bridge Concrete Surface	SQFT	183

(quantities reflects 15% above field survey)

\* Cost included with Thermal Spraying (Metalizing) See Special Provisions.

**NOTES**  
Dimensions shown on plans for Thermal Spraying (Metalizing) Concrete Repair are for estimating purposes. Final limits and quantities for this repair are to be field verified by the Engineer.

FILE NAME =	USER NAME = #USER#	DESIGNED - CEJ	REVISED -	<b>STATE OF ILLINOIS DEPARTMENT OF TRANSPORTATION</b>	<b>SUBSTRUCTURE REPAIRS (BENTS 2 &amp; 3) SN.029-0025 IL.95 OVER SPOON RIVER</b>	F.A.P. RTE. 687	SECTION (123B)I	COUNTY FULTON	TOTAL SHEETS 14	SHEET NO. 13		
#FILE#	PLOT SCALE = #SCALE#	DRAWN - CEJ	REVISED -			SCALE: _____	SHEET NO. _____ OF _____ SHEETS	CONTRACT MAINT. BRIDGE REPAIRS	CONTRACT# 68A58			
	PLOT DATE = #DATE#	CHECKED -	REVISED -				STA. _____ TO STA. _____	ILLINOIS FED. AID PROJECT				
		DATE - 11/22/2012	REVISED -									

S:\GEN. DRGSET\STDRPLNS\_SOURDIA\68A58\SN.029-0025.dgn