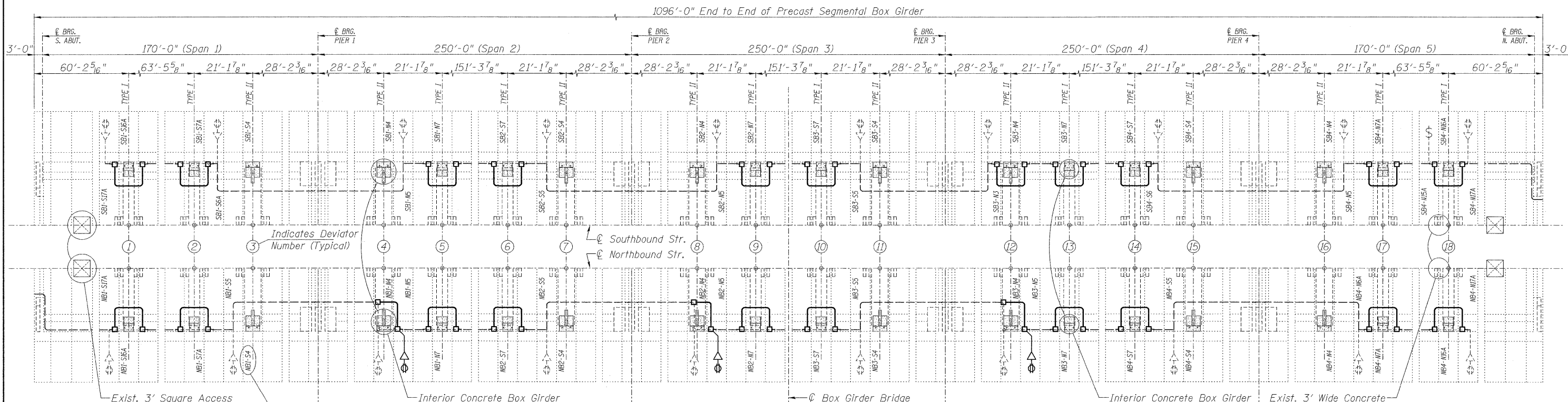




© Copyright Hanson Professional Services Inc. 2012

02/04/2012
02/04/2012
02/04/2012



Indicates Deviator Number (Typical)

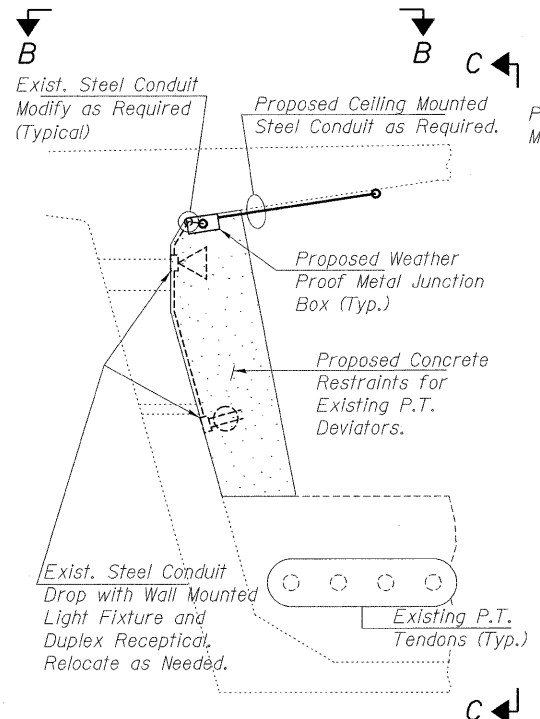
Indicates Original Shop Drawing Labeled Segment Piece Numbers (Typ.)
NB=Northbound and SB=Southbound.

Interior Concrete Box Girder Restraints for, Exist. Type II Concrete P.T. Deviators (Typ.)

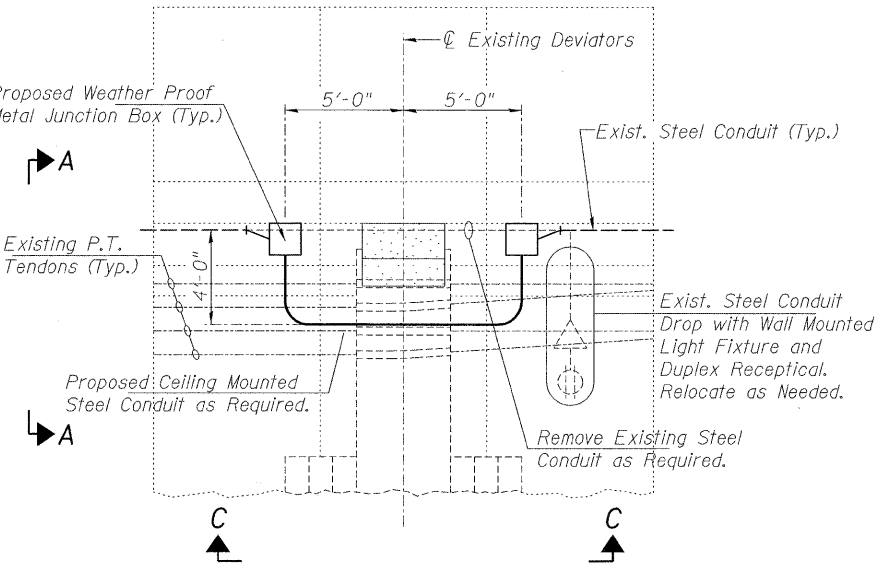
TRUNCATED HALF-PLAN VIEWS OF BOX GIRDERS
(Southbound Segments Upper Half and Northbound Segments Lower Half)

Interior Concrete Box Girder Restraints for, Exist. Type I Concrete P.T. Deviators (Typ.)

Exist. 3' Wide Concrete Overpassing Stairs at Each Exist. Type I and Type II Concrete Deviator (Typ.)



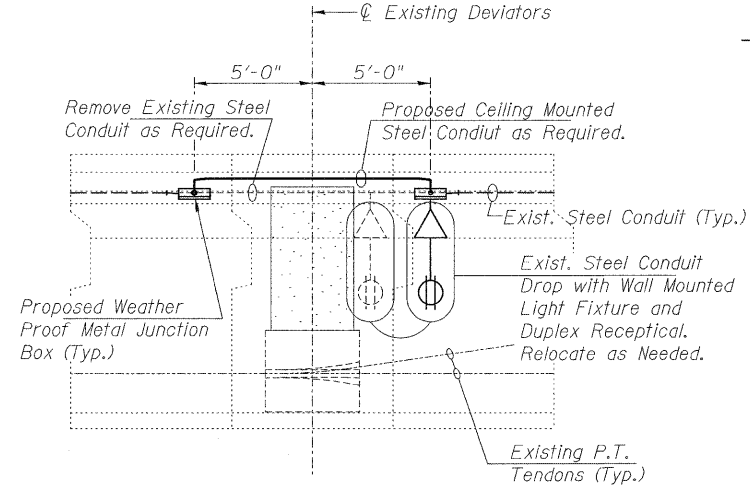
PARTIAL BOX GIRDER SECTION SECTION A-A
(S.B.L. Segment SBI-S7A Shown all other Similar)



PARTIAL REFLECTED CEILING PLAN SECTION B-B
(Southbound Segment SBI-S7A Shown all other Similar)

BILL OF MATERIAL

Item	Unit	S.B.	N.B.	Total Quantity
Relocate Existing Electrical System	L.S.	0.5	0.5	1.0



PARTIAL BOX GIRDER WEB ELEVATION VIEW C-C
(Southbound Segment SBI-S7A Shown all other Similar)

NOTES:

The Contractor shall complete all work affecting the ceiling and wall areas above and adjacent to the Existing P.T. Deviators within the Box Girders prior to construction of the Deviator Restraints.

The conduit rerouting plan shown is intended to provide general requirements for relocating the existing conduits to avoid work areas. The Contractor shall confirm the number and location of existing conduits in the field.

The Contractor shall get the approval of the Engineer prior to relocating conduit.

LEGEND

- Indicates a Proposed Ceiling Attached Steel Conduit Bypass for Existing Fillet/Wall Mounted Steel Conduit at Each Deviator Restraint, 11 Required S.B.L. Structure, and 10 Required N.B.L. Structure, a Total of 21.
- Indicates a Known Existing Steel Conduit Drop with Wall Mounted Light Fixture and Duplex Receptical - To Remain.
- Indicates a Known Existing Steel Conduit Drop to a Wall Mounted Switch - To Remain.
- Indicates Known Existing Fillet/Wall Mounted Steel Conduit Extending the Full Interior Length of Each Structure.
- Indicates Proposed Ceiling Mounted Steel Conduit for Each Bypass Loop.
- Indicates a Proposed Weather Proof Ceiling or Wall Mounted Steel Junction Box (Minimum of 2 Per Bypass Loop).
- Indicates a Known Existing Steel Conduit Drop with Wall Mounted Light Fixture and Duplex Receptical - To Be Removed and Relocated. Utilize the New Junction Box as a connection point for the relocated drop if possible 3 locations.

NOTES (Cont'd.)

All new conduit provided in order to complete the relocating operations shall be galvanized rigid steel conduit (RMC) of equivalent size to the conduit it is replacing.

The Contractor shall miss Post-Tensioning Bars and Reinforcement when attaching electrical system components to the Web and Top Flange of the Concrete Box Girder.

STATE OF ILLINOIS
DEPARTMENT OF TRANSPORTATION

INTERIOR ELECTRICAL LIGHTING SYSTEM MODIFICATIONS
STRUCTURE NO. 101-0133 and 101-0134

SHEET NO. 11 OF 11 SHEETS

F.A.I. RTE.	SECTION	COUNTY	TOTAL SHEETS	SHEET NO.
39	(201-1B1M-3	WINNEBAGO	38	38
				CONTRACT NO. 64H72

ILLINOIS FED. AID PROJECT