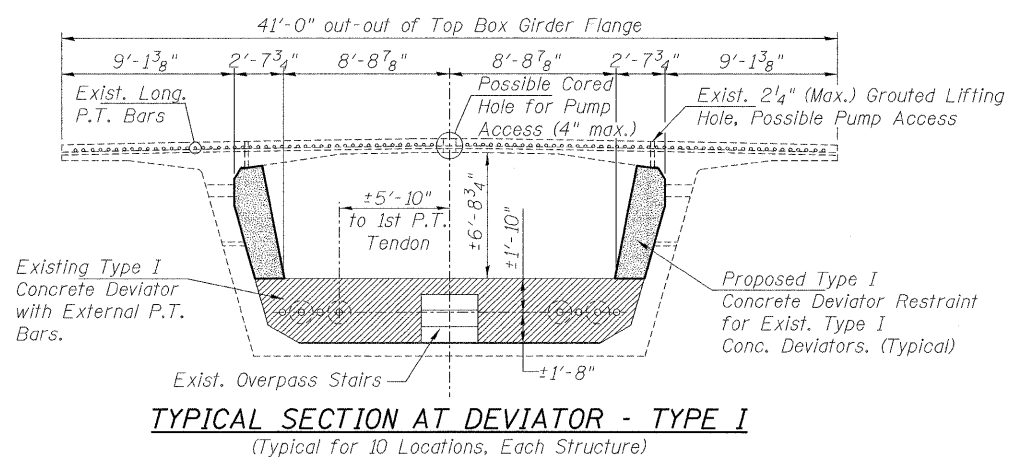
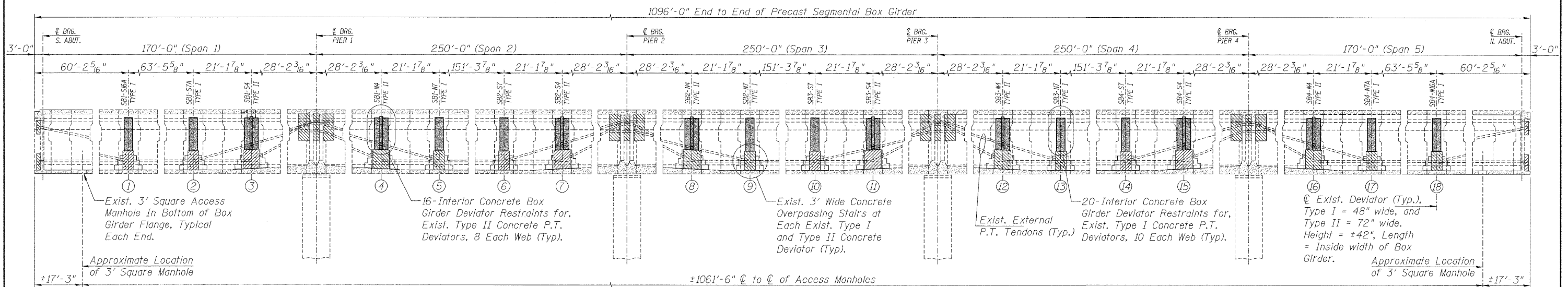
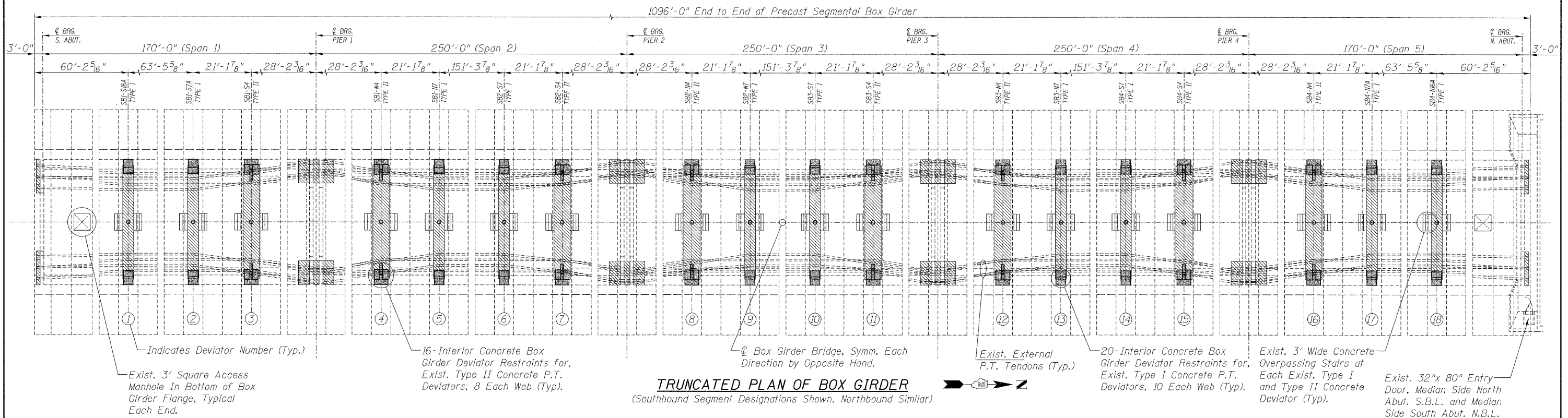


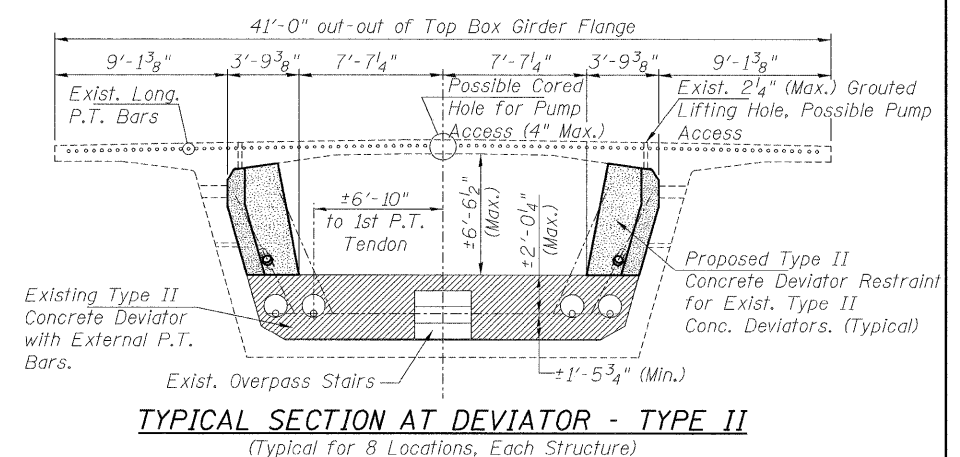


© Copyright Hanson Professional Services Inc. 2012



**TRUNCATED LONGITUDINAL SECTION THRU BOX GIRDER**  
(Southbound Segment Designations Shown, Northbound Similar)

- Notes:
- Supplemental External P.T. Tendons and Concrete Deviators (Hatched) added to the Interior of the Existing Box Girder in 2008.
  - Structural Modifications made in 2008:
    - Upper and Lower Concrete Anchorages at Abutments.
    - Upper Concrete Deviator/Anchorages at Piers
    - Lower Concrete Deviators Types I & II in all spans.
    - Concrete Overpass Stairs at all added Concrete Deviators.
    - Transverse Post Tension Bars in added Conc. Deviators.
  - Concrete Deviator Restraints to be added to all Existing Lower Concrete Type I & II Deviators.
  - Note that the exact location of P.T. Tendons that pass over the Type II Deviators and pass through the Type II Deviator Restraints may vary from what is shown. The Contractor may need to make Reinforcement and Forming Adjustments, any necessary adjustments shall be submitted and approved by the Engineer prior to making adjustment.
  - SB1-S16A Indicates Original Shop Drawing Labeled Segment Piece Numbers, NB=Northbound and SB=Southbound (Typ.)



LAYOUT	///
DRAWN	///
REVIEWED	///

FILE NAME =	USER NAME =	DESIGNED - MNM	REVISED
		CHECKED - TEH	REVISED
		DRAWN - Rod	REVISED
		CHECKED - MNM	REVISED

STATE OF ILLINOIS  
DEPARTMENT OF TRANSPORTATION

DEVIATORS - LAYOUT and MODIFICATION LOCATIONS  
STRUCTURE NO. 101-0133 and 101-0134

SHEET NO. 05 OF 11 SHEETS

F.A.I. RTE.	SECTION	COUNTY	TOTAL SHEETS	SHEET NO.
39	(201-1B1M-3)	WINNEBAGO	38	32
CONTRACT NO. 64H72				

ILLINOIS FED. AID PROJECT