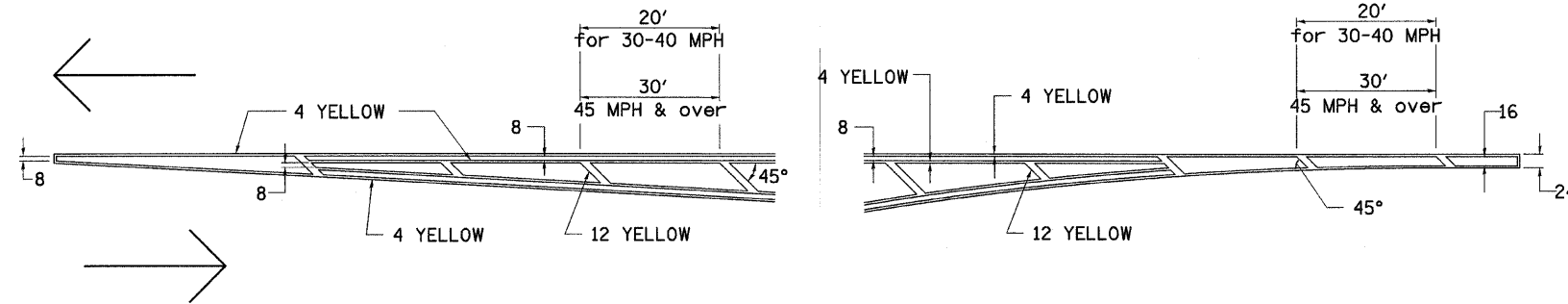
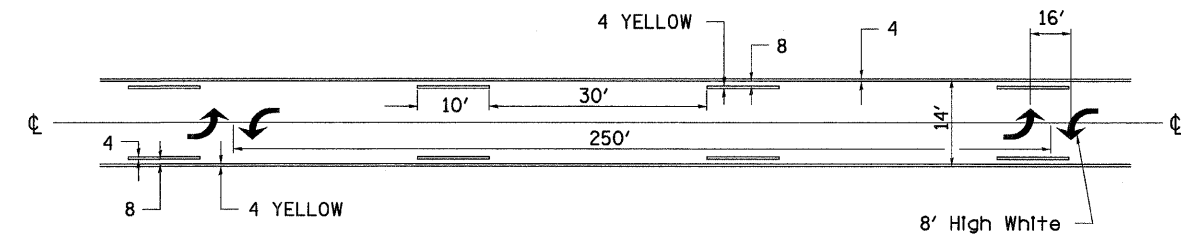


TYPICAL PAVEMENT MARKINGS

TYPICAL PAVEMENT MARKING FOR FLUSH MEDIAN AT LEFT TURN LANE

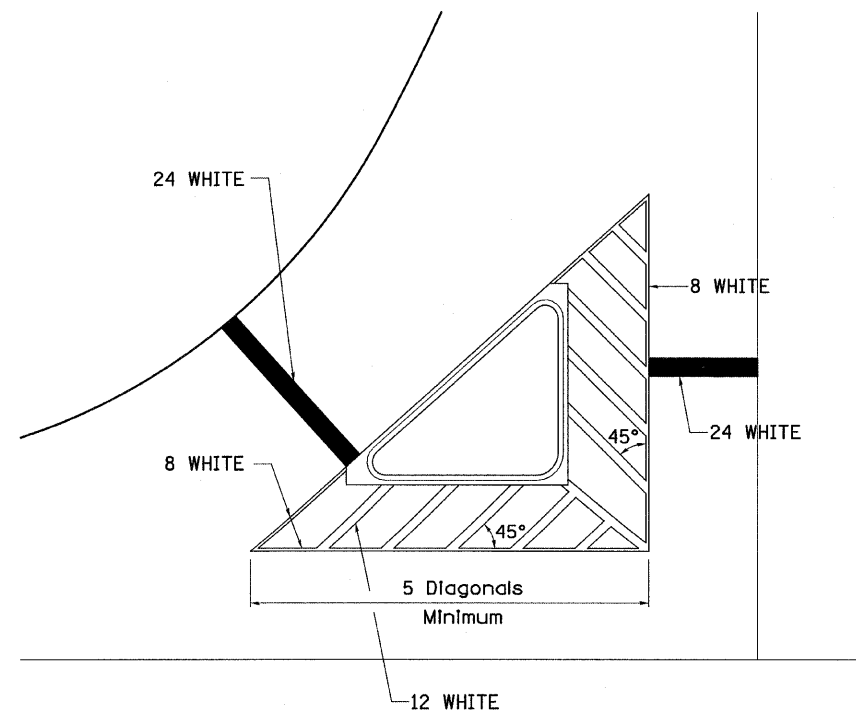


MEDIAN PAVEMENT MARKING

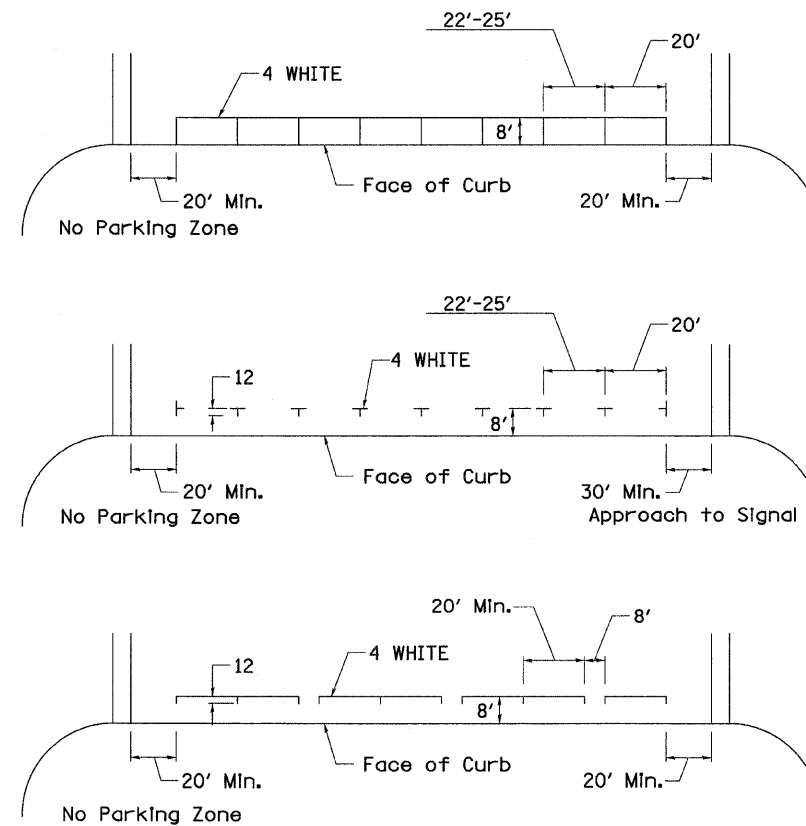


** ALL DIMENSIONS ARE IN INCHES UNLESS OTHERWISE NOTED.

TYPICAL ISLAND OFFSET SHOULDER WIDTH

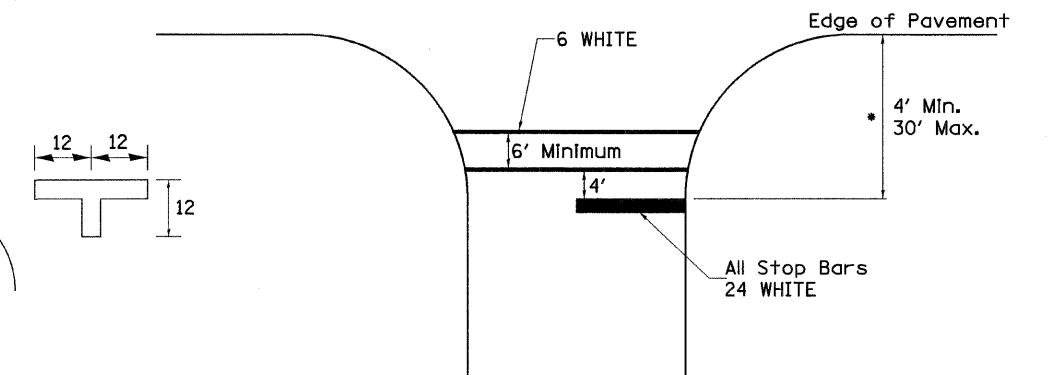


TYPICAL PARKING SPACING



STANDARD CROSSWALK MARKING

See Schedules for Locations



* Distance to the nearest edge of the intersecting roadway in the absence of a marked crosswalk.

FILE NAME =	USER NAME = IDOT	DESIGNED -	REVISED - 10-18-11
\\102707.s\kinnickinnick_creek\cadd sheets\VD264H23-sht-STD41.dgn		DRAWN -	REVISED -
PLOT SCALE = 50.0000' / IN.		CHECKED -	REVISED -
PLOT DATE = 1/24/2012		DATE -	REVISED -

STATE OF ILLINOIS
DEPARTMENT OF TRANSPORTATION

REGION 2 / DISTRICT 2 STANDARD

F.A.P. RTE. 738	SECTION (5B-2)M	COUNTY WINNEBAGO	TOTAL SHEETS 22	SHEET NO. 19
CONTRACT NO. 64H23				
FED. ROAD DIST. NO. 1 (ILLINOIS) FED. AID PROJECT				