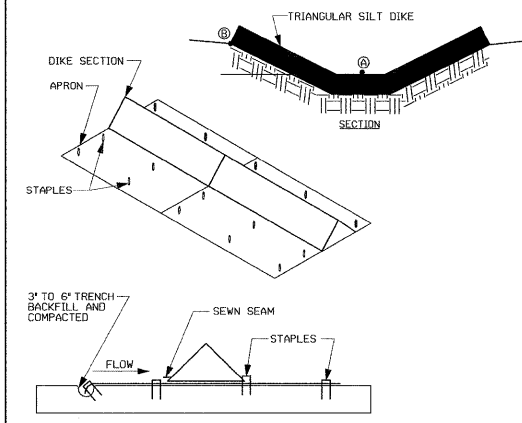


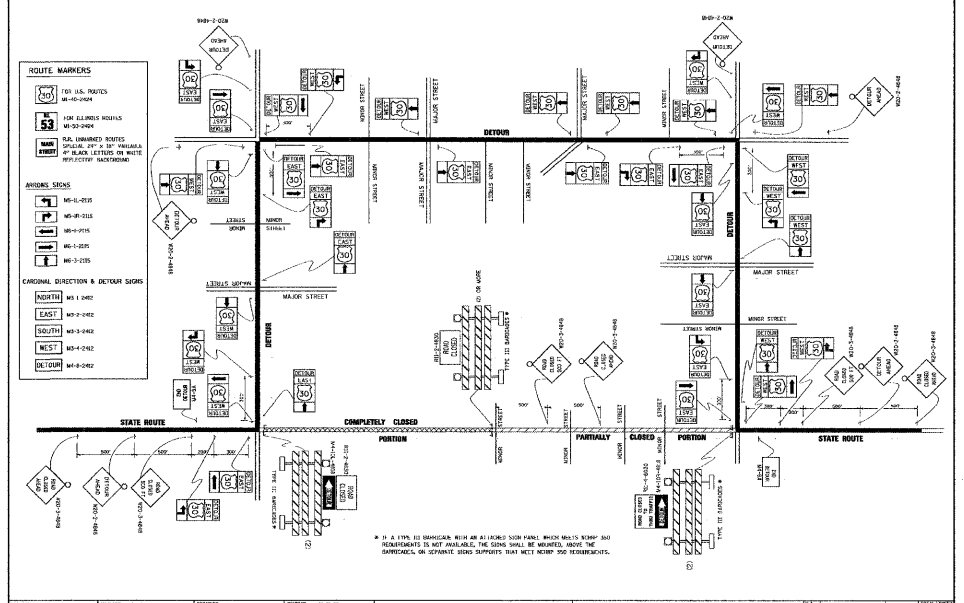
PLAN	SURVEYED	DATE
	PLOTTED	
	CHECKED	
	BY	
	NO.	

PROFILE	SURVEYED	DATE
	PLOTTED	
	CHECKED	
	BY	
	NO.	

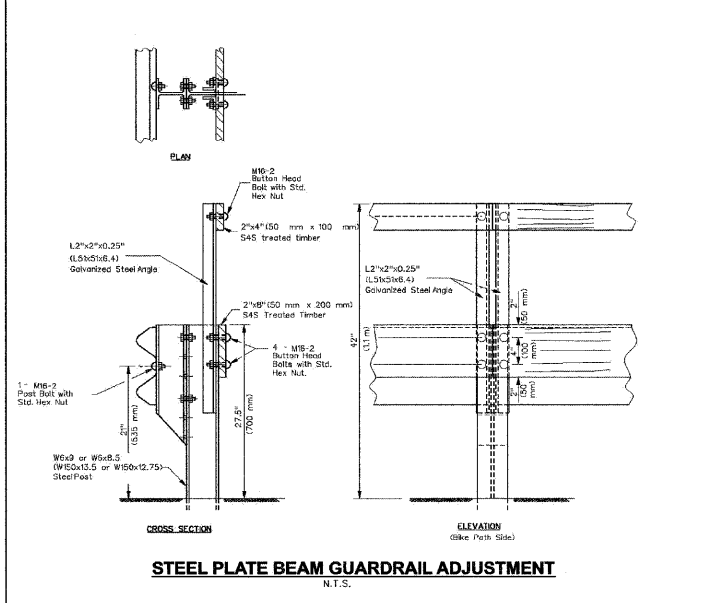


**TRIANGULAR SILT DIKE**  
N.T.S.

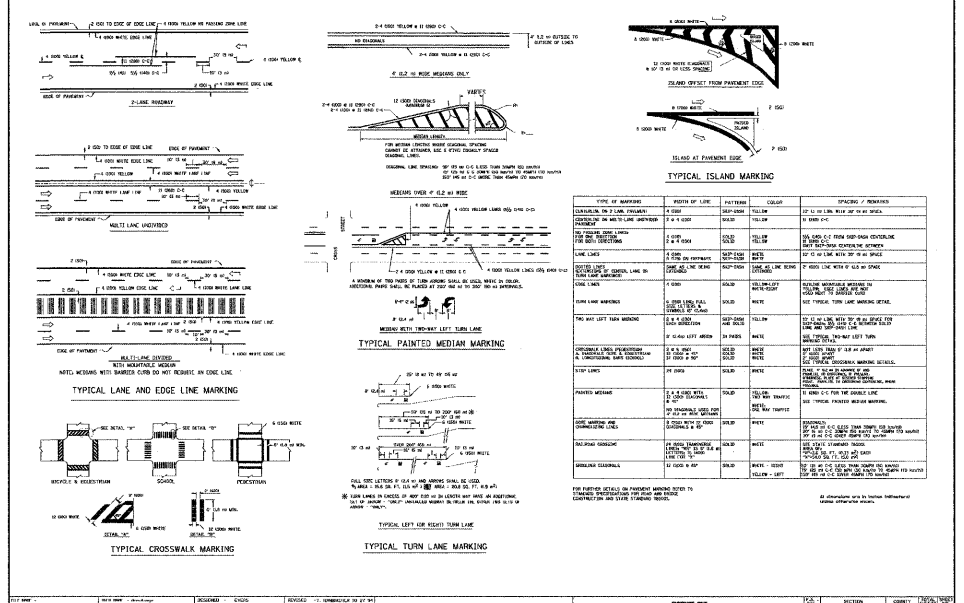
- NOTES:
1. TRIANGULAR SILT DIKES OR APPROVED EQUAL SHALL BE INSTALLED AT LOCATIONS SHOWN ON PLANS OR AS DIRECTED BY THE OWNER OR ENGINEER.
  2. TRIANGULAR SILT DIKES SHALL BE INSTALLED PER MANUFACTURER'S INSTRUCTIONS.
  3. ELEVATION OF POINT (A) SHALL NEVER EXCEED ELEVATION OF POINT (B).



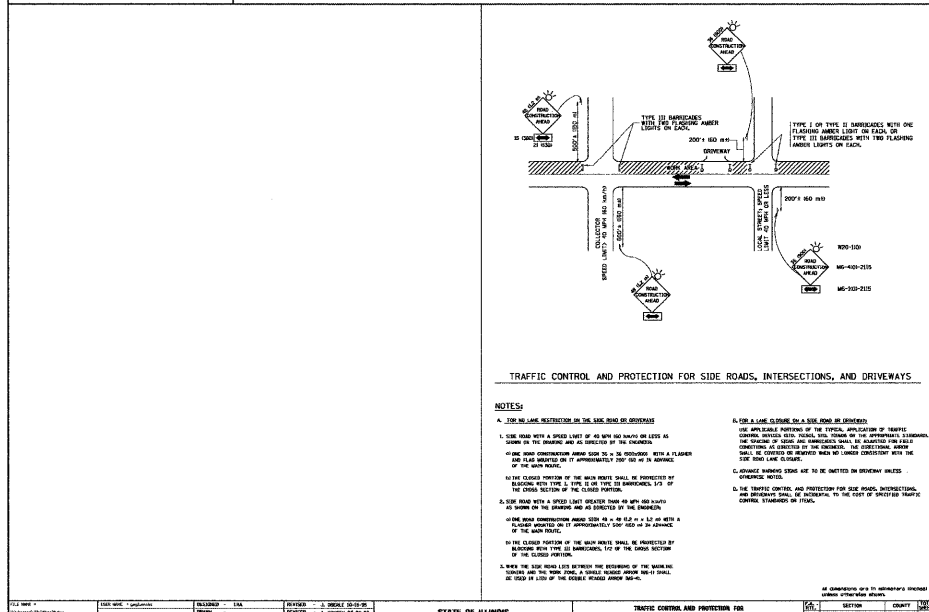
STATE OF ILLINOIS DEPARTMENT OF TRANSPORTATION  
DESIGN SHEET FOR BRIDGE OVER RIVER



**STEEL PLATE BEAM GUARDRAIL ADJUSTMENT**  
N.T.S.

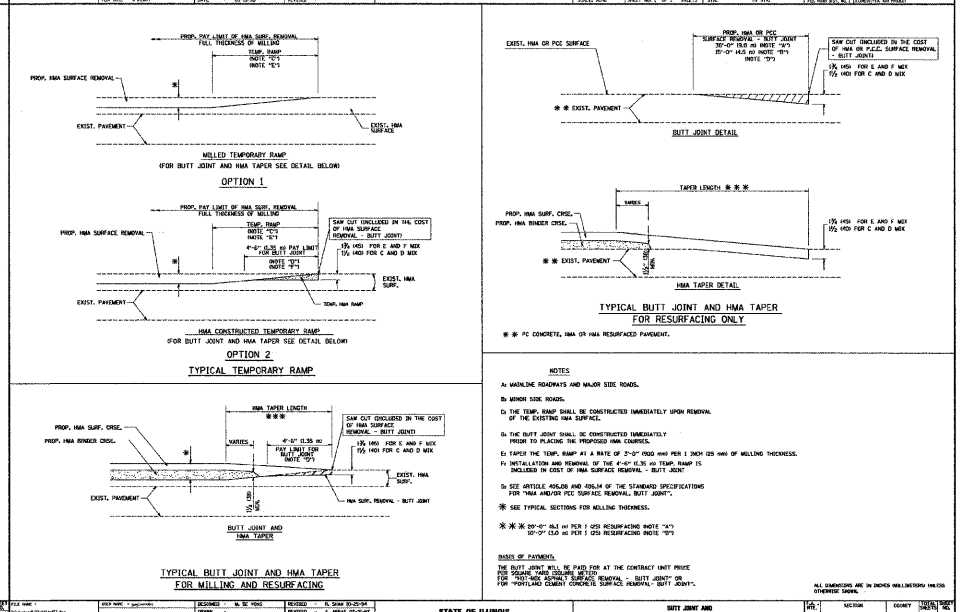


STATE OF ILLINOIS DEPARTMENT OF TRANSPORTATION  
DESIGN SHEET FOR BRIDGE OVER RIVER



**TRAFFIC CONTROL AND PROTECTION FOR SIDE ROADS, INTERSECTIONS, AND DRIVEWAYS**

- NOTES:
1. USE THE LANE DESIGNATION ON THE SIDE ROAD OR DRIVEWAY.
  2. USE THE LANE DESIGNATION ON THE SIDE ROAD OR DRIVEWAY.
  3. USE THE LANE DESIGNATION ON THE SIDE ROAD OR DRIVEWAY.
  4. USE THE LANE DESIGNATION ON THE SIDE ROAD OR DRIVEWAY.
  5. USE THE LANE DESIGNATION ON THE SIDE ROAD OR DRIVEWAY.
  6. USE THE LANE DESIGNATION ON THE SIDE ROAD OR DRIVEWAY.
  7. USE THE LANE DESIGNATION ON THE SIDE ROAD OR DRIVEWAY.
  8. USE THE LANE DESIGNATION ON THE SIDE ROAD OR DRIVEWAY.
  9. USE THE LANE DESIGNATION ON THE SIDE ROAD OR DRIVEWAY.
  10. USE THE LANE DESIGNATION ON THE SIDE ROAD OR DRIVEWAY.



**TYPICAL TEMPORARY RAMP**

**TYPICAL BITT JOINT AND HMA TAPER FOR MILLING AND RESURFACING**

DESIGNED	-	CMP	REVISED	-	2/6/12
DRAWN	-	NAT	REVISED	-	2/22/12
CHECKED	-	BWM	REVISED	-	
DATE	-	12/7/11	REVISED	-	

**RHMG** REZEK, HENRY, MEISENHEIMER, and GENDE, INC.  
CONSULTING ENGINEERS  
775 CAMPUS DRIVE  
MUNDELEIN, ILLINOIS 60060  
847-362-5999

**VILLAGE OF BEACH PARK**  
BEACH ROAD  
BEACH PARK, ILLINOIS

**CONSTRUCTION DETAILS**  
SCALE: N.T.S. SHEET NO. 34 OF 47 SHEETS STA. TO STA.

F.A. R.T.E.	SECTION	COUNTY	TOTAL SHEETS	SHEET NO.
1210	11-00012-00-PV	LAKE	47	34
CONTRACT NO. 63683				