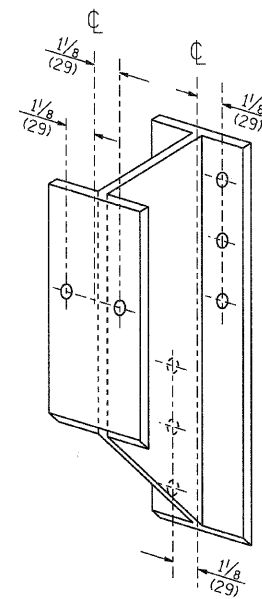
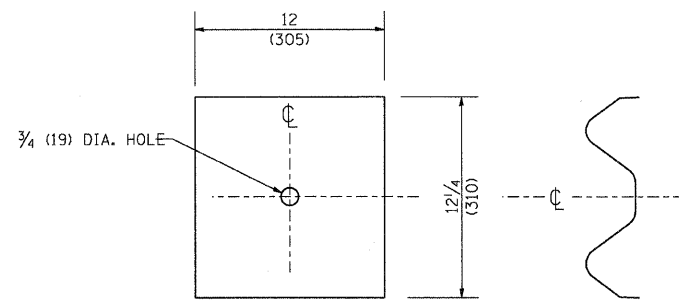


**STEEL POST CONSTRUCTION**



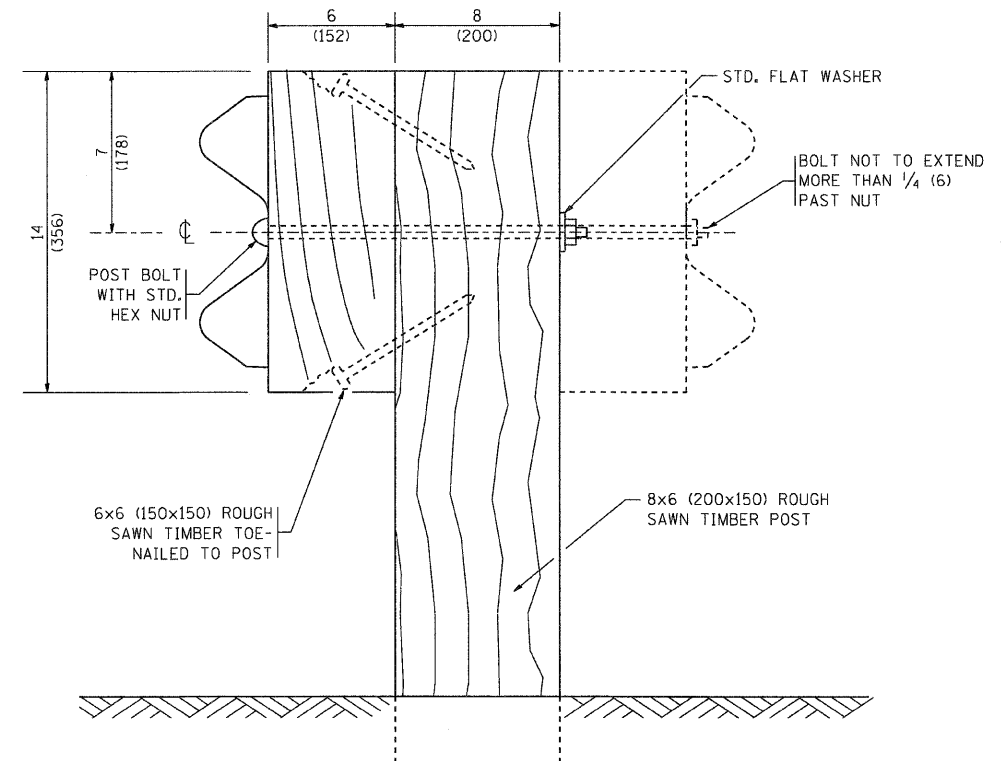
**STEEL BLOCK-OUT DETAIL**



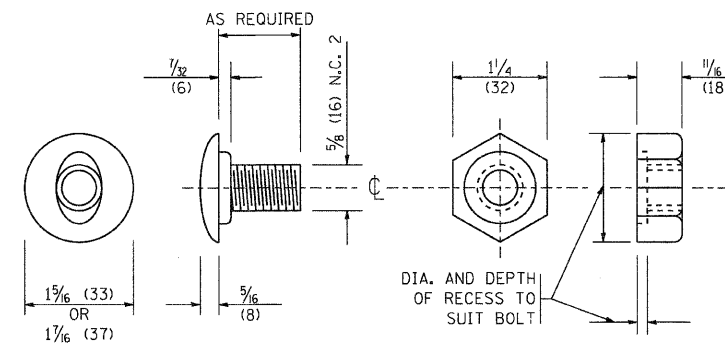
**NOTE:**

PLATE A SHALL BE PLACED BETWEEN RAIL ELEMENT AND BLOCK-OUT AT NON-SPLICE MOUNTING POINTS ONLY WHEN STEEL BLOCK-OUTS ARE USED.

**PLATE A**



**WOOD POST CONSTRUCTION**



**POST OR SPLICE BOLT & NUT**

REVISIONS	
NAME	DATE

ILLINOIS DEPARTMENT OF TRANSPORTATION

REMOVE AND REERECT  
STEEL PLATE BEAM GUARDRAIL  
(SHEET 2 OF 4)

SCALE: NONE  
DATE: 2/27/2007

DRAWN BY  
CHECKED BY