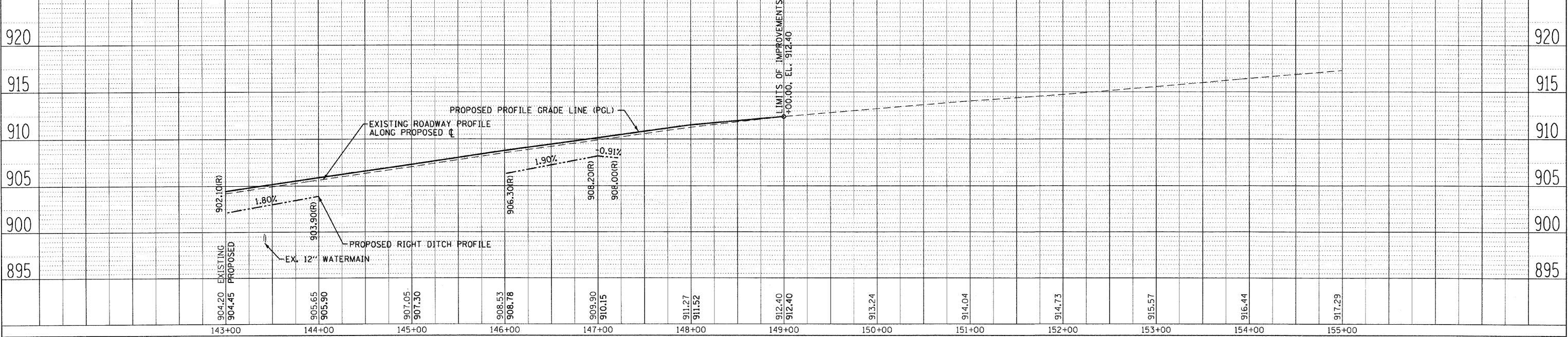
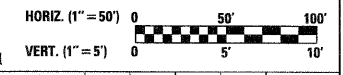
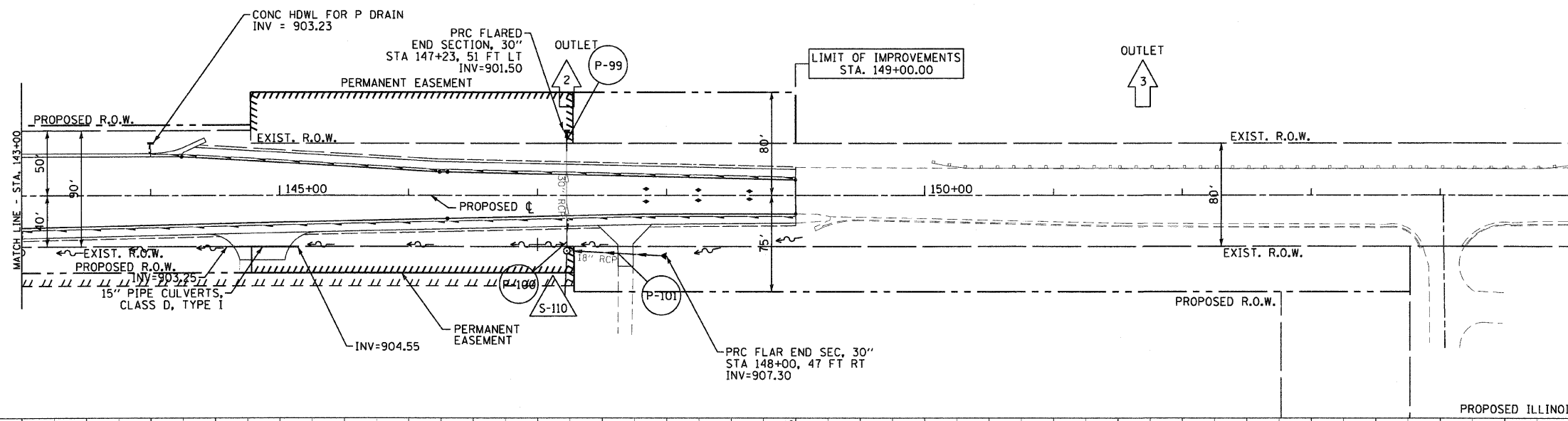


EXISTING ILLINOIS ROUTE 31

- LEGEND**
- ADJ STRUCTURE TO BE ADJUSTED
 - C STRUCTURE TO BE CLEANED
 - F STRUCTURE TO BE FILLED
 - R STRUCTURE TO BE REMOVED
 - REC STRUCTURE TO BE RECONSTRUCTED
 - REC STRUCTURE TO BE RECONSTRUCTED WITH NEW FRAME AND LID OR GRATE
 - ADN STRUCTURE TO BE ADJUSTED WITH NEW FRAME AND LID OR GRATE
 - PIPE REMOVAL
 - - - PIPE UNDERDRAIN



DRAINAGE AND UTILITIES PLAN IL. RTE. 31 STA. 143+00 TO STA. 155+00

DATE	BY
DATE	BY
DATE	BY
DATE	BY

DATE	BY
DATE	BY
DATE	BY
DATE	BY