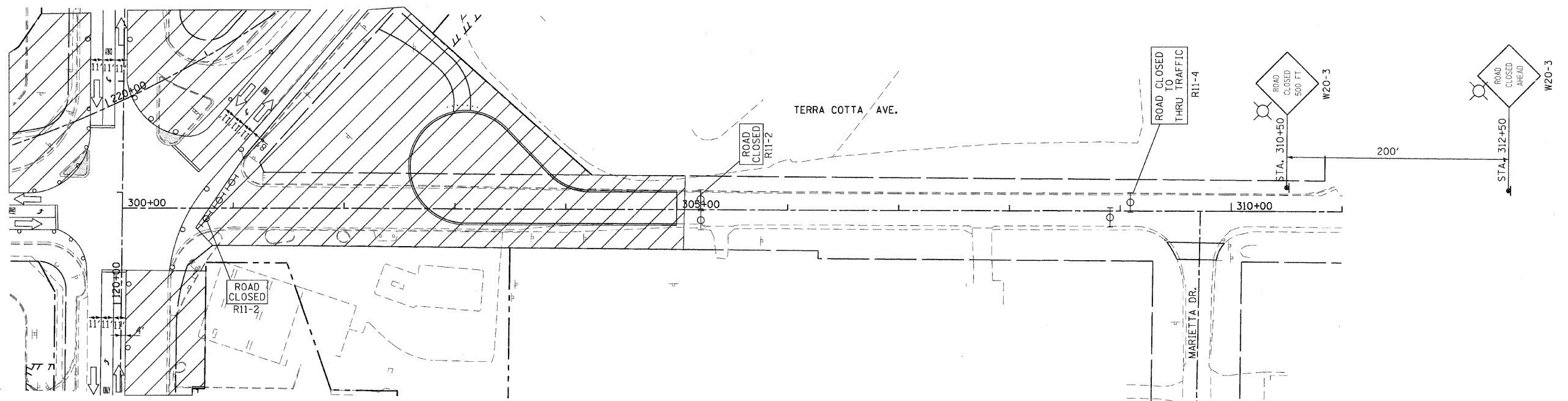


F.A.P. RTE.	SECTION	COUNTY	TOTAL SHEETS	SHEET NO.
336	112R-N	McHENRY	266	51
STA. 300+00 TO STA. 310+00				
FED. ROAD DIST. NO.	ILLINOIS	FED. AID PROJECT		
CONTRACT NO. 62537				



DATE	BY	REVISION

DATE	BY	REVISION

MAINTENANCE OF TRAFFIC LEGEND

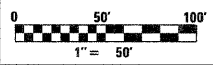
- CONSTRUCTION AREA
- DIRECTION OF TRAFFIC
- TEMPORARY CONCRETE BARRIER WALL WITH VERTICAL PANELS AND STEADY BURN LIGHTS @ 50' C-C
- IMPACT ATTENUATOR
- TYPE II BARRICADES OR DRUMS WITH STEADY BURN LIGHTS AT 50' C-C UNLESS OTHERWISE NOTED DEVICES IN TAPER (25' C-C) DEVICES IN RADII (10' C-C)
- CONSTRUCTION SIGN
- TYPE III BARRICADES WITH FLASHING LIGHTS (2 EACH)
- ARROW BOARD
- TEMPORARY PAVEMENT
- TEMPORARY DRAINAGE

TEMPORARY PAVEMENT MARKINGS

- 4" EDGE LINE - EACH EDGE (YELLOW FOR INSIDE EDGE, WHITE FOR OUTSIDE EDGE)
- 4" WHITE SKIP DASH - (30 FT. SKIP-10 FT. DASH) - BETWEEN LANES
- 4" DOUBLE YELLOW - MEDIANS AND BETWEEN OPPOSING LANES
- 6" WHITE LANE LINE - STORAGE AREA OF LEFT-TURN BAY
- 6" WHITE SKIP DASH - (6 FT. SKIP-2 FT. DASH) - LEFT-TURN BAY
- 12" YELLOW DIAGONALS - (20 FT. C-C) - MEDIANS AND GORES
- 24" WHITE STOP BAR - ALL LOCATIONS
- WHITE LETTERS AND SYMBOLS - TURN LANES

REVISIONS	
NAME	DATE

ILLINOIS DEPARTMENT OF TRANSPORTATION
 F.A.U. ROUTE 336
 IL RTE 31 AND IL RTE 176
**MAINTENANCE OF TRAFFIC
 STAGE 1 - TERRA COTTA AVENUE**



DATE: 02/10/2012
 DRAWN BY: SMP
 CHECKED BY: SJG