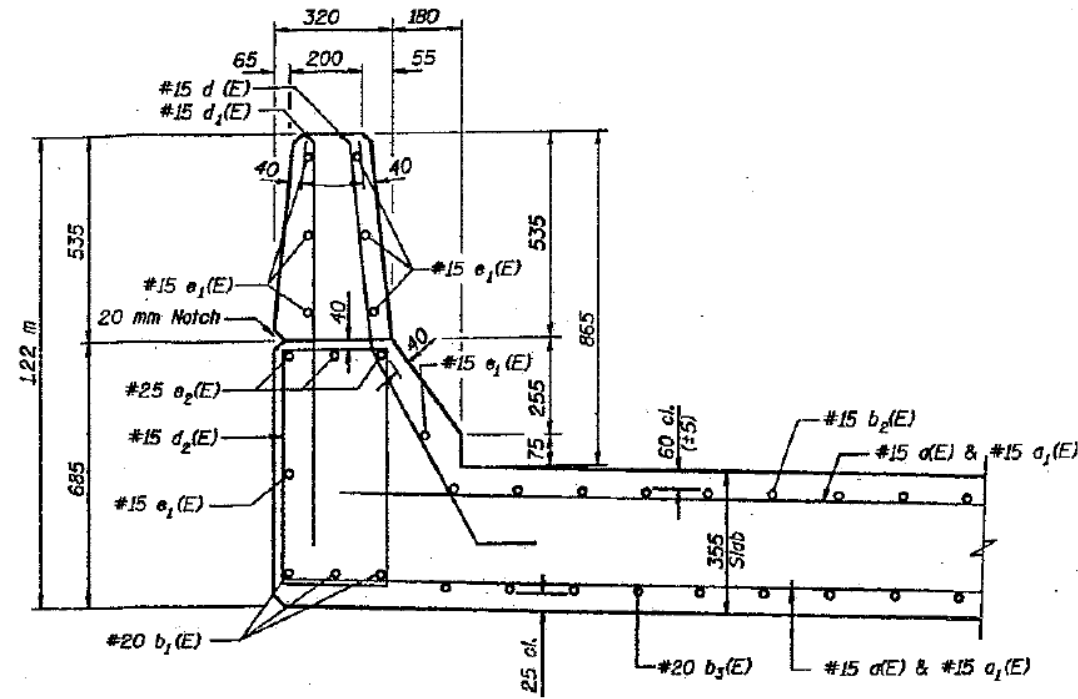
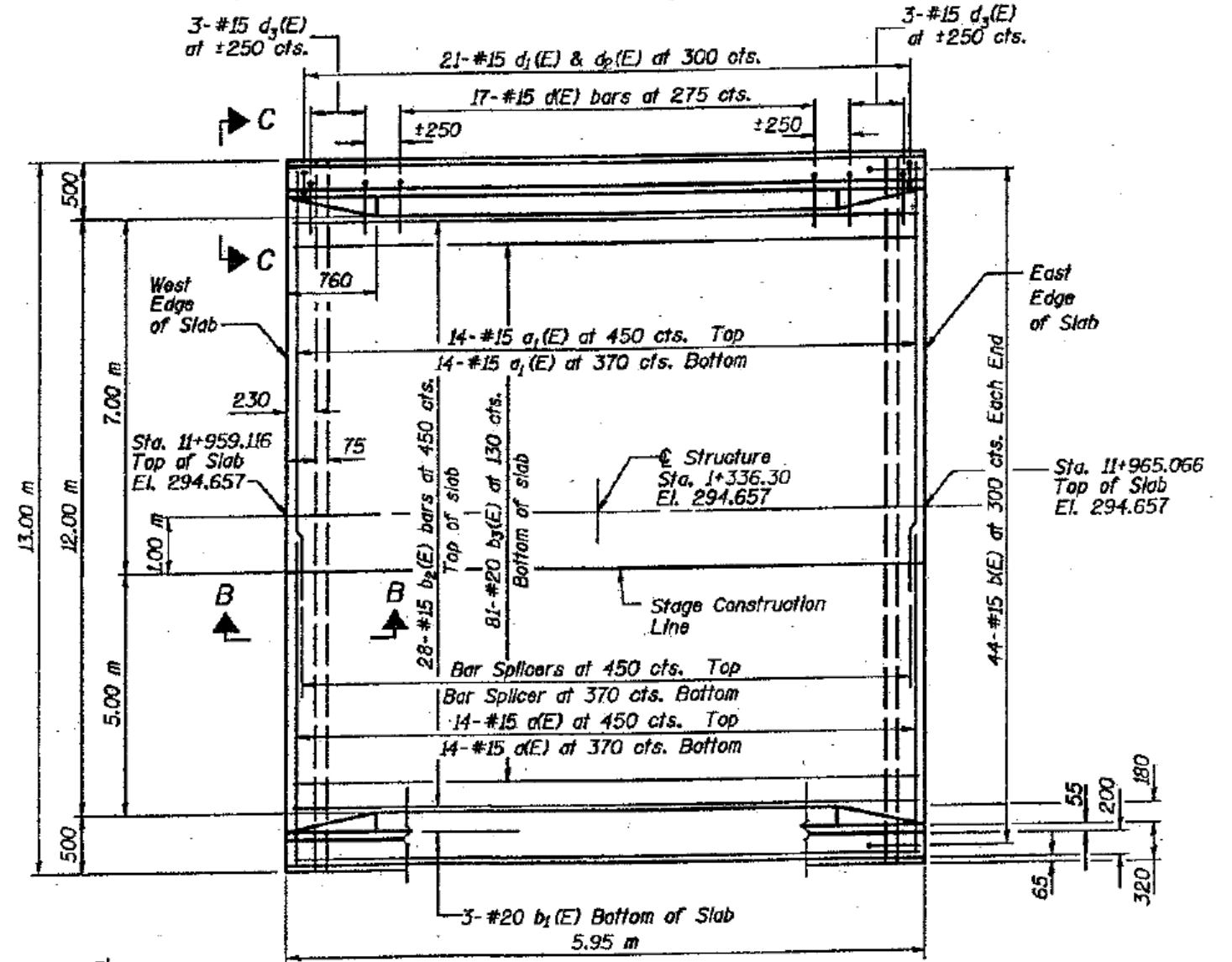


ROUTE	SECTION	COUNTY	TOTAL SHEETS	SHEET NUMBER
VARIOUS	2011-227-1	MCHENRY	53	34

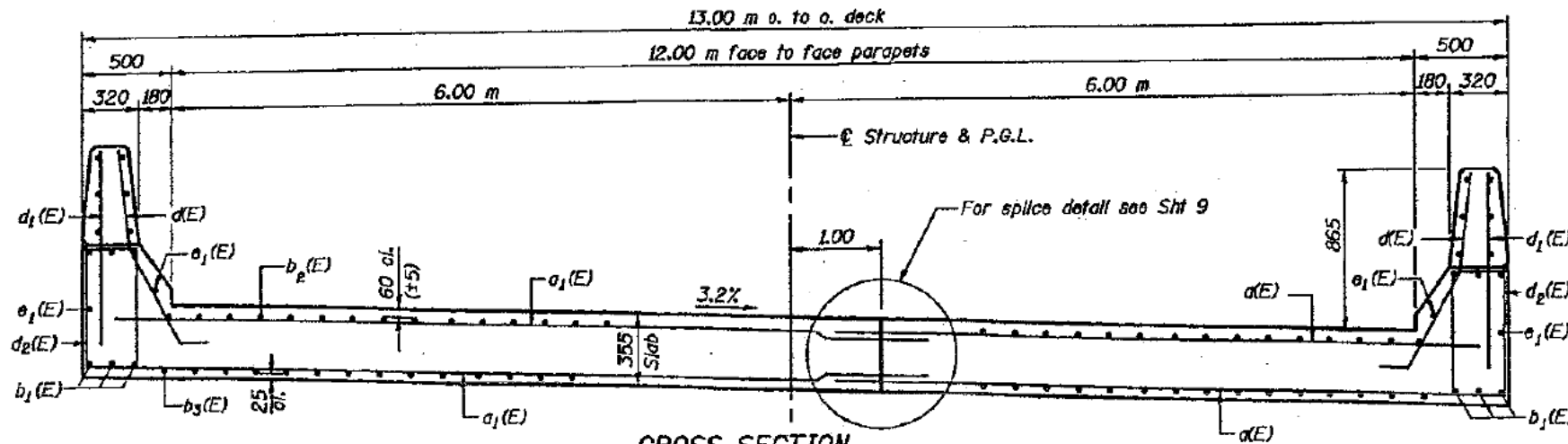
CONTRACT NO. 60R91



SECTION THRU PARAPET



PLAN



CROSS SECTION
LOOKING EAST

Notes:
1. For details of (E) Bars

FOR INFORMATION ONLY

ILLINOIS DEPARTMENT OF
TRANSPORTATION

EXISTING PLAN & CROSS SECTION
LOCATION 9 (SN 056-0050)
IL 173 OVER MOKELER CREEK
SHEET 1 OF 1