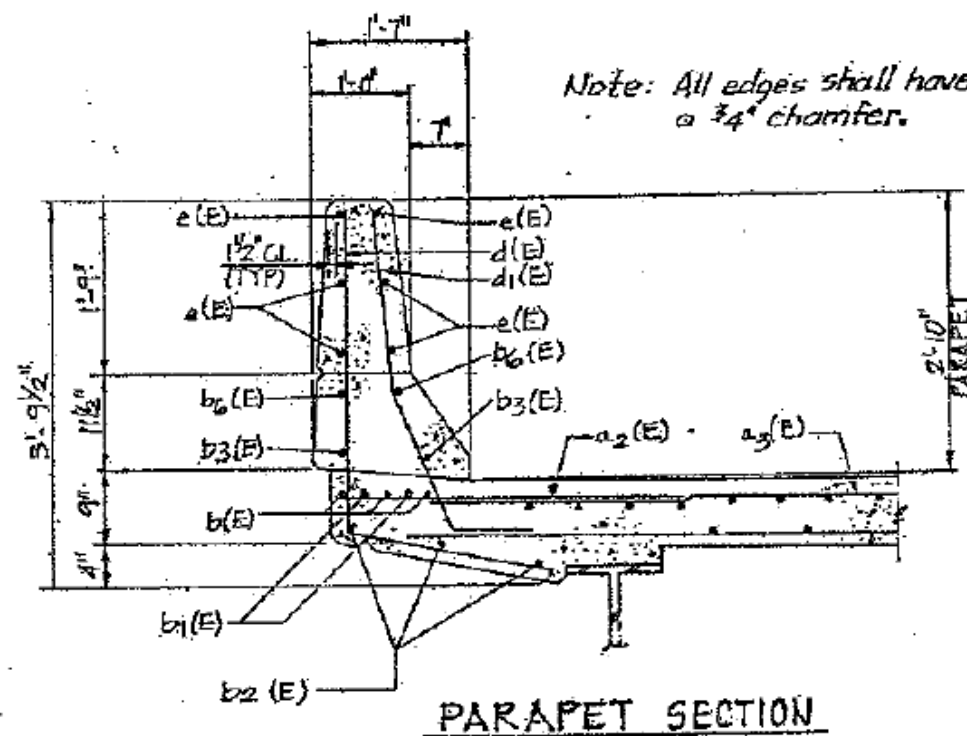
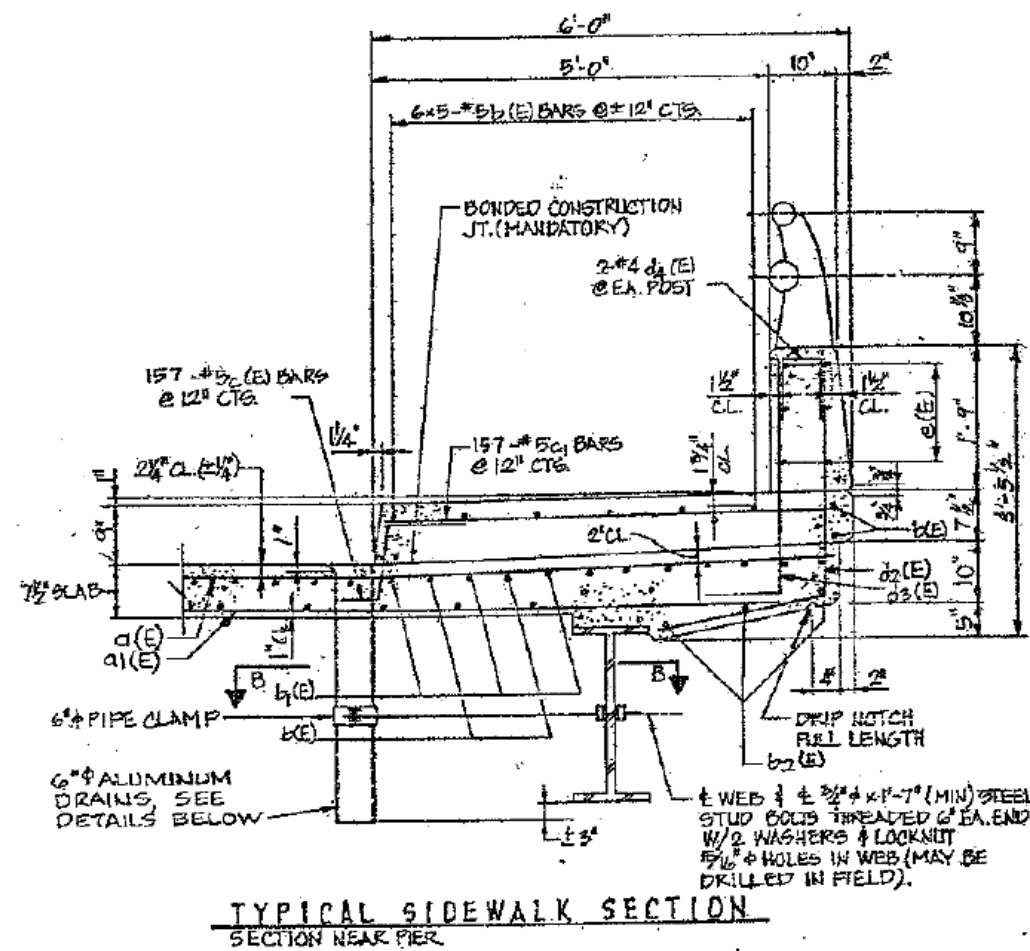
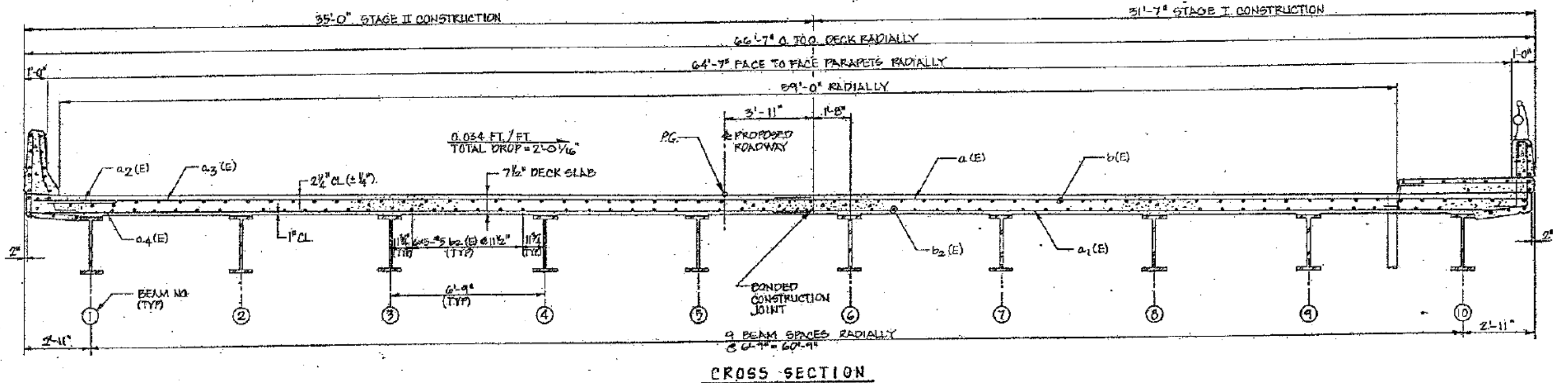


ROUTE	SECTION	COUNTY	TOTAL SHEETS	SHEET NUMBER
VARIOUS	2011-227-1	MCHENRY	53	32

CONTRACT NO. 60R91

STATE OF ILLINOIS
DEPARTMENT OF TRANSPORTATION



FOR INFORMATION ONLY

ILLINOIS DEPARTMENT OF
TRANSPORTATION

EXISTING PLAN & CROSS SECTION
LOCATION 7 (SN 056-0057)
US 12 OVER NIPPERSINK CREEK
SHEET 2 OF 2