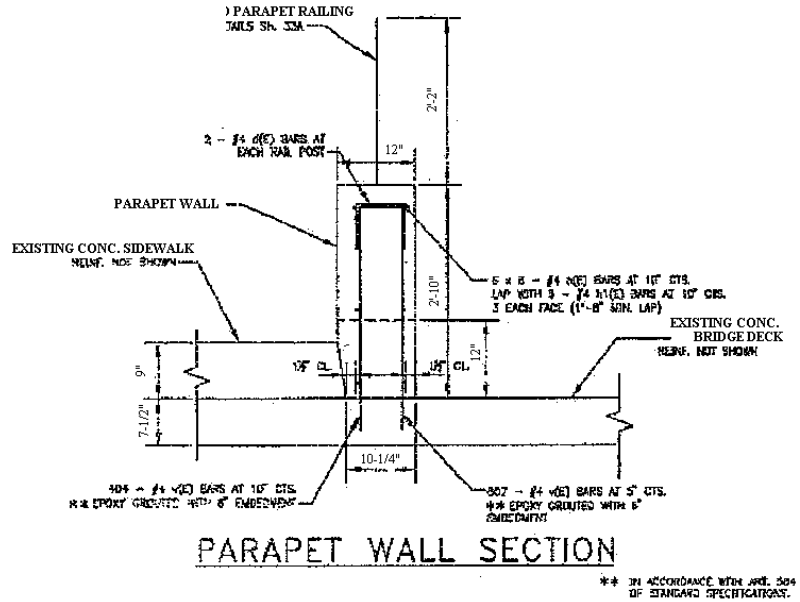
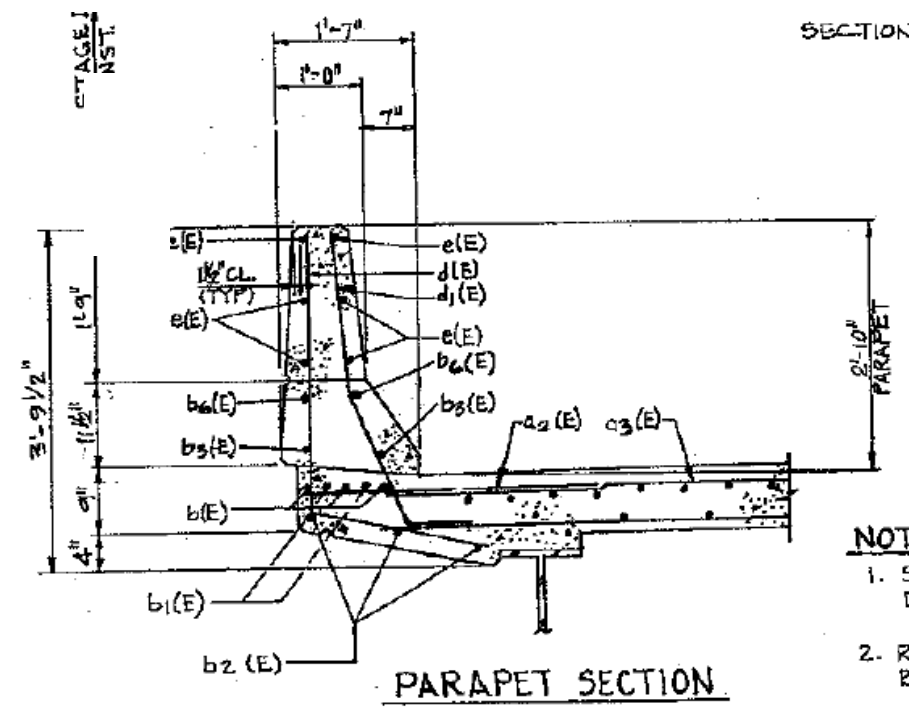
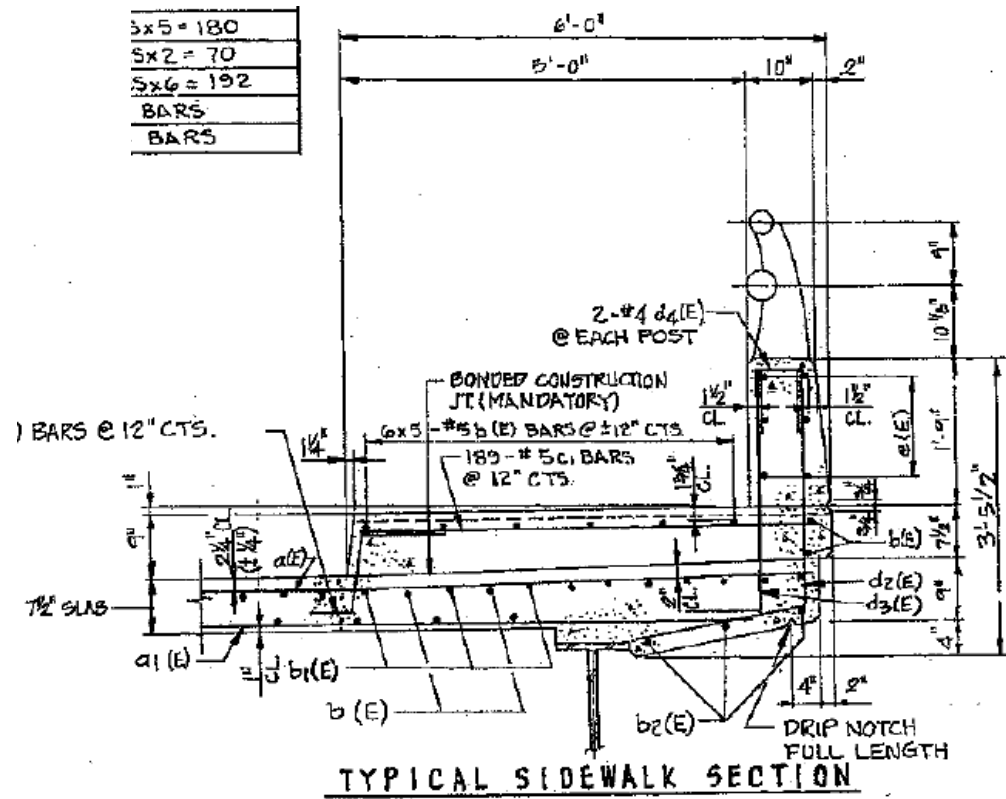
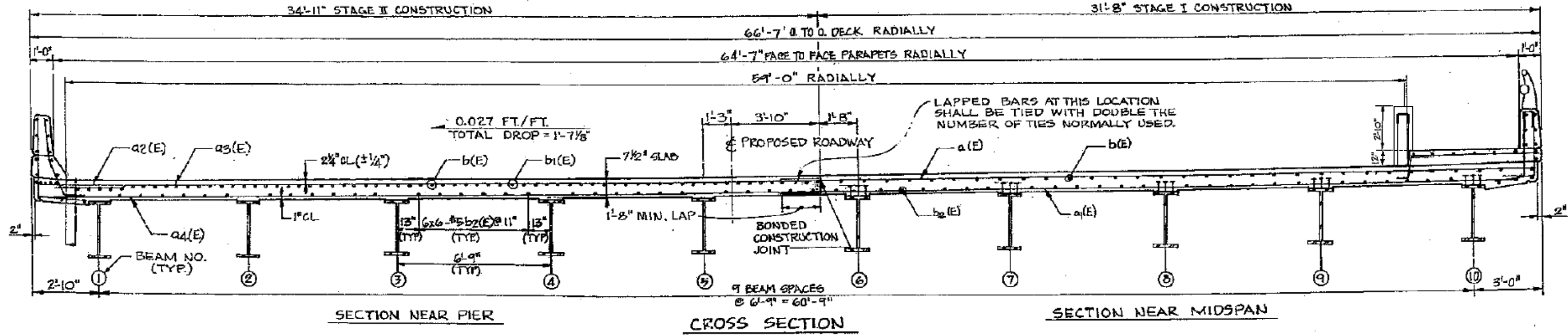


ROUTE	SECTION	COUNTY	TOTAL SHEETS	SHEET NUMBER
VARIOUS	2011-227-1	MCHENRY	53	28

CONTRACT NO. 60R91



FOR INFORMATION ONLY

ILLINOIS DEPARTMENT OF TRANSPORTATION

EXISTING PLAN & CROSS SECTION  
LOCATION 5 (SN 056-0058)  
US 14 OVER FOX RIVER  
SHEET 3 OF 3