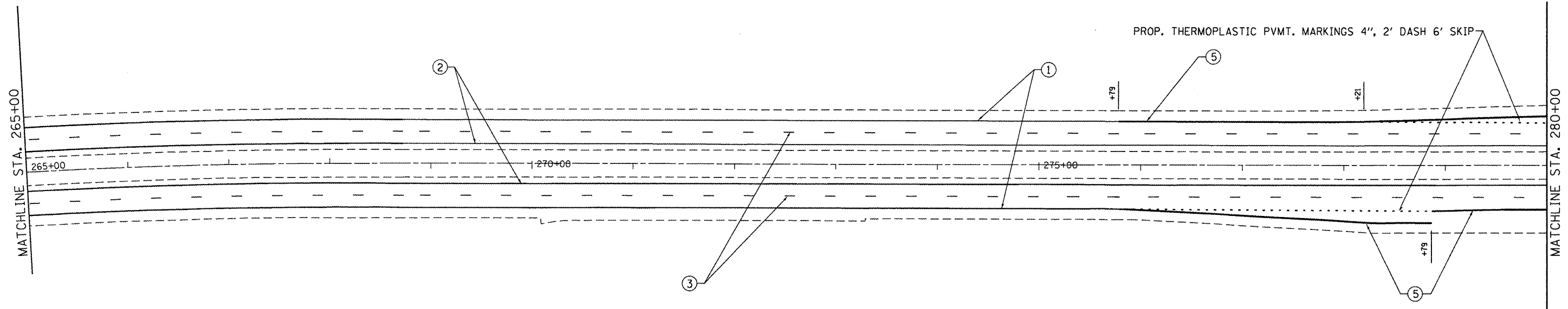
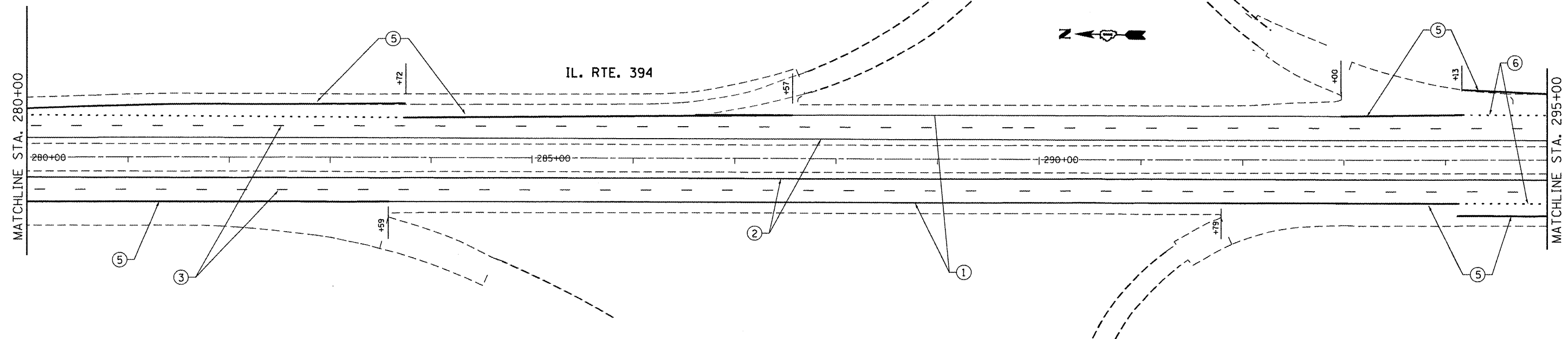


IL. RTE. 394



- ① PROP. HOT SPRAY THERMOPLASTIC PVMT. MARKING 4", LINE, WHITE (TYP.)
- ② PROP. HOT SPRAY THERMOPLASTIC PVMT. MARKING 4", LINE, YELLOW (TYP.)
- ③ PROP. HOT SPRAY THERMOPLASTIC PVMT. MARKING 5", SKIP DASH, WHITE (TYP.)
- ④ PROP. HOT SPRAY THERMOPLASTIC PVMT. MARKING 6", LINE, WHITE (TYP.)
- ⑤ PROP. HOT SPRAY THERMOPLASTIC PVMT. MARKING 8", LINE, WHITE (TYP.)
- ⑥ PROP. HOT SPRAY THERMOPLASTIC PVMT. MARKING 8", 3' DASH 9' SKIP, WHITE (TYP.)
- ⑦ PROP. HOT SPRAY THERMOPLASTIC PVMT. MARKING 12", DIAGONAL, WHITE (TYP.)
- ⑧ PROP. HOT SPRAY THERMOPLASTIC PVMT. MARKING 24", BAR LINE, WHITE (TYP.)



FILE NAME =	USER NAME = windet	DESIGNED -	REVISED -
c:\pwork\windet\windet\d0291571\012371	sht-plan-Design.dgn	DRAWN -	REVISED -
	PLOT SCALE = 100.0000' / 1" =	CHECKED -	REVISED -
	PLOT DATE = 3/8/2012	DATE -	REVISED -

STATE OF ILLINOIS
DEPARTMENT OF TRANSPORTATION

PROPOSED ROADWAY AND PAVEMENT MARKING PLANS
IL 394 (THORNTON-LANSING RD. TO STEGER RD.)

SCALE: 1"=50' SHEET 9 OF 14 SHEETS STA. 265+00 TO STA. 295+00

F.A.P. RTE.	SECTION	COUNTY	TOTAL SHEETS	SHEET NO.
332	2011-225-1	COOK	25	11
CONTRACT NO. 60R90			ILLINOIS FED. AID PROJECT	