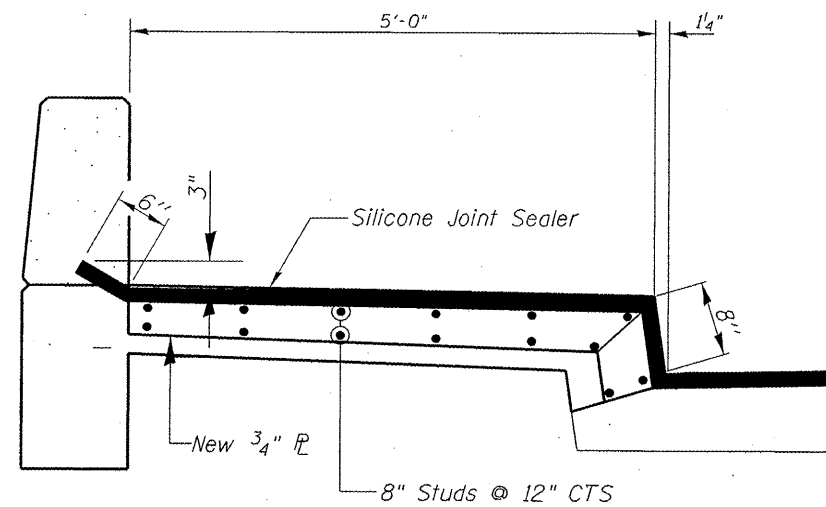
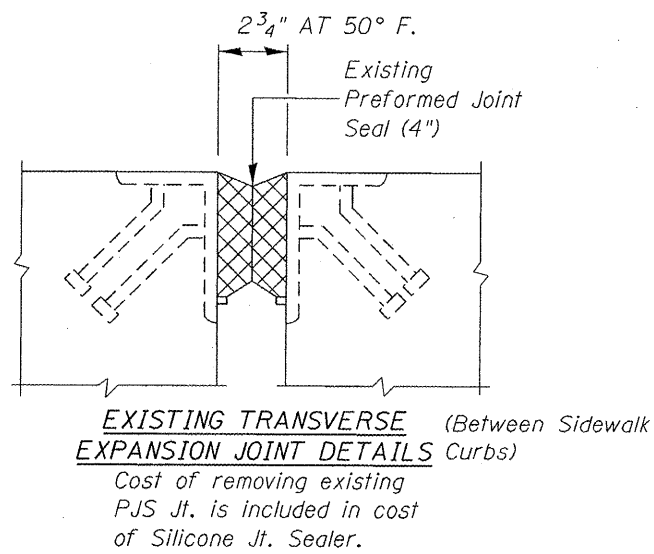
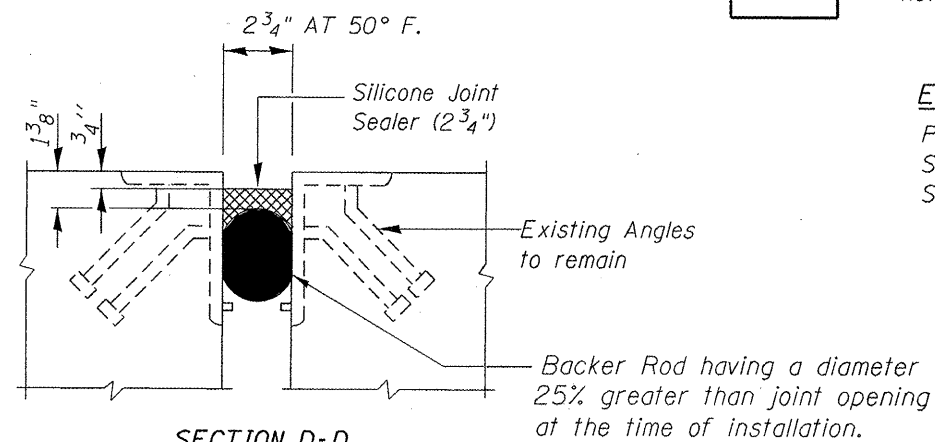


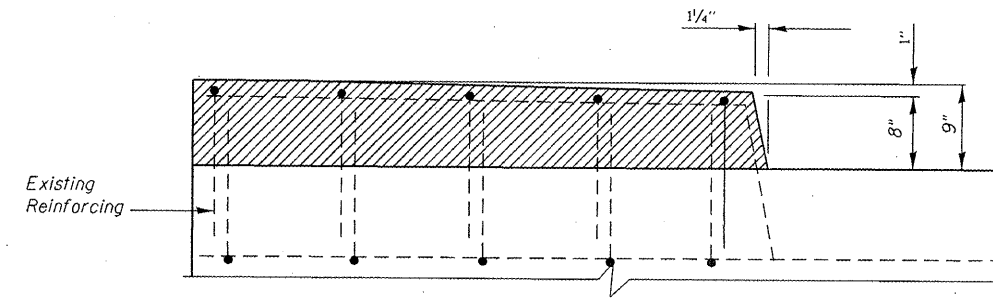
SECTION B-B



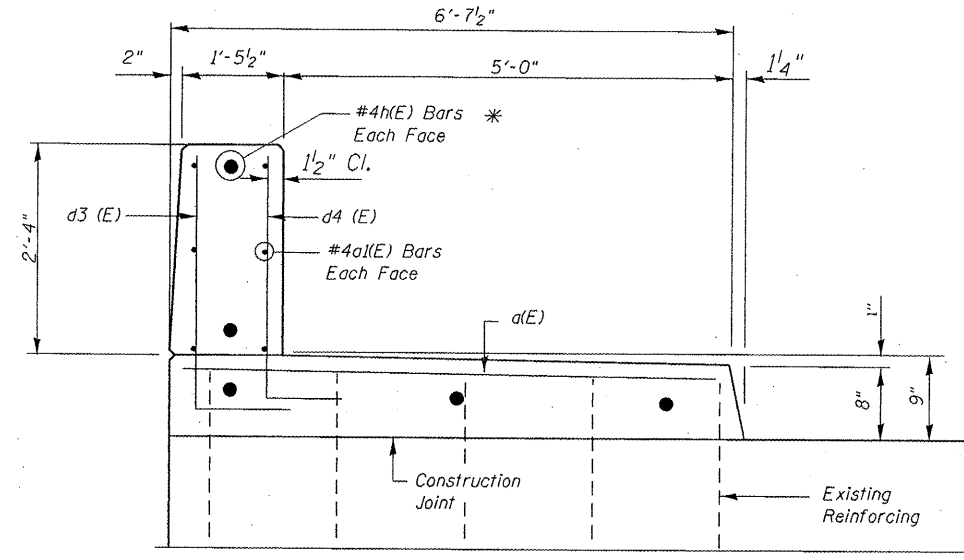
END OF SEAL TREATMENT
Proposed 3/4" P & 3/4" ϕ x 8" Studs Included in Cost of Structural Steel Repairs



SECTION D-D



SECTION C-C (EXISTING)



SECTION C-C Dimension at Right Angle to \perp Roadway (PROPOSED)

NOTE:
#4 h(E) Bars shall be epoxy grouted according to Art. 584 of the Standard Specifications.
* Drill and Grout #4h(E) BARS @ 2'-0" CTS

BILL OF MATERIALS

ITEM	UNIT	QUANTITY
STRUCTURAL STEEL REPAIR	POUNDS	750

FILE NAME =	USER NAME = curryaw	DESIGNED - MVT	REVISED -
c:\pwwork\pwwork\curryaw\08288452\01622	11-Design.dgn	DRAWN - MVT	REVISED -
	PLOT SCALE = 100.4408 1/4 in.	CHECKED - AWC	REVISED -
	PLOT DATE = 3/23/2012	DATE - 2-29-12	REVISED -

STATE OF ILLINOIS
DEPARTMENT OF TRANSPORTATION

DEVON AVENUE AT ILL 94 (EDENS EXPRESSWAY)
SILICONE JOINT SEALER DETAILS
S.N. 016-0834

SCALE: SHEET 3 OF 9 SHEETS STA. TO STA.

F.A.I. RTE. 94	SECTION 2011-066-1	COUNTY COOK	TOTAL SHEETS 18	SHEET NO. 6
CONTRACT NO. 60P85				ILLINOIS FED. AID PROJECT