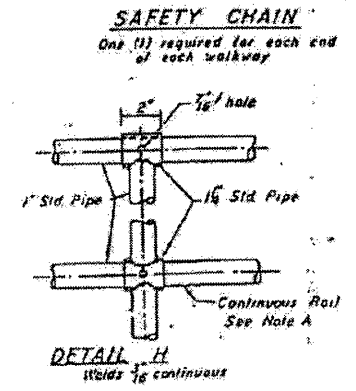
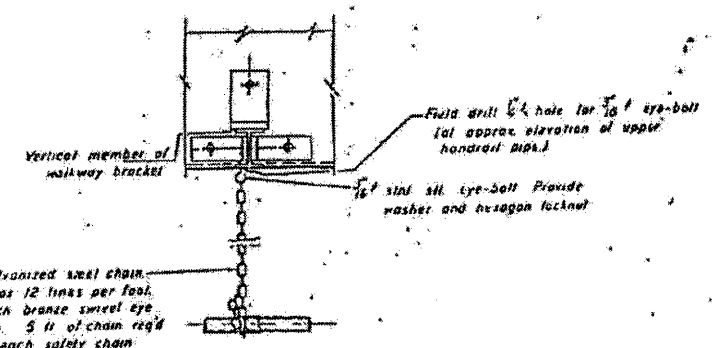
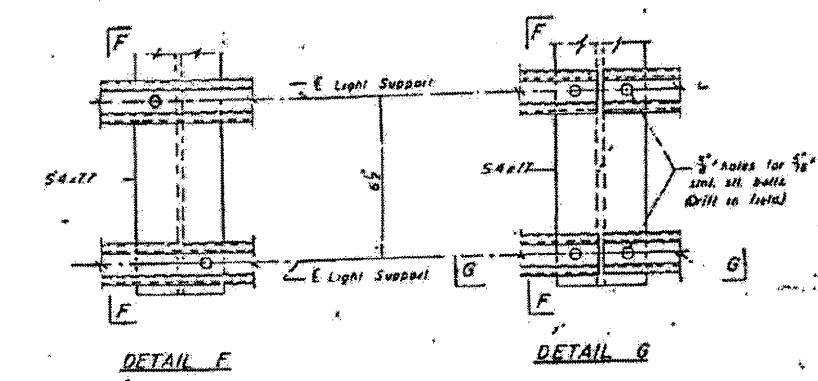
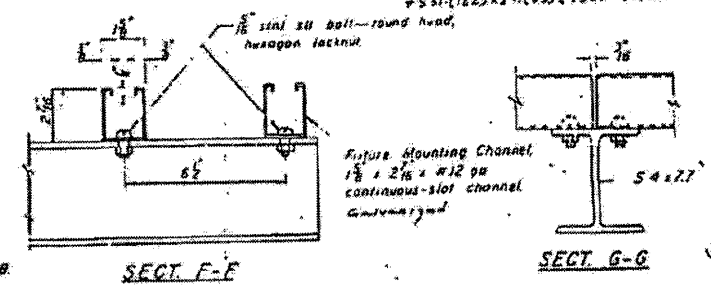
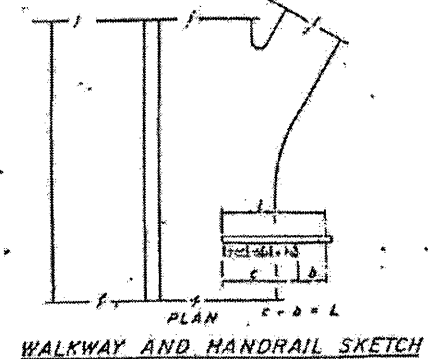
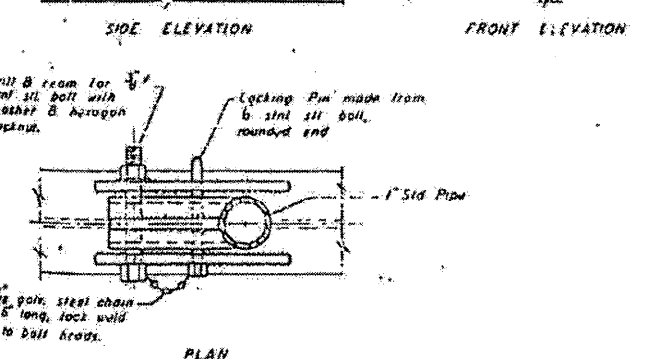
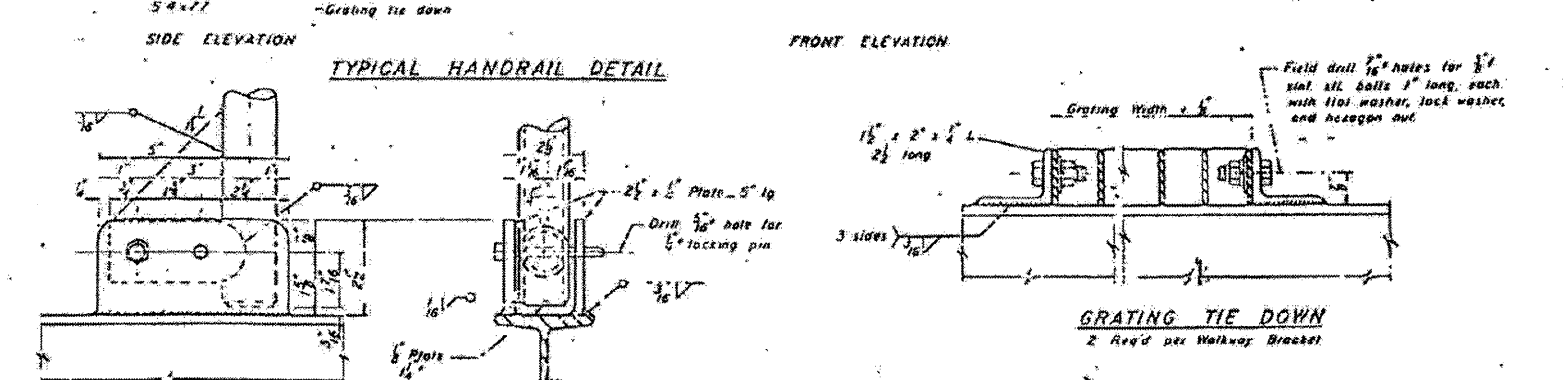
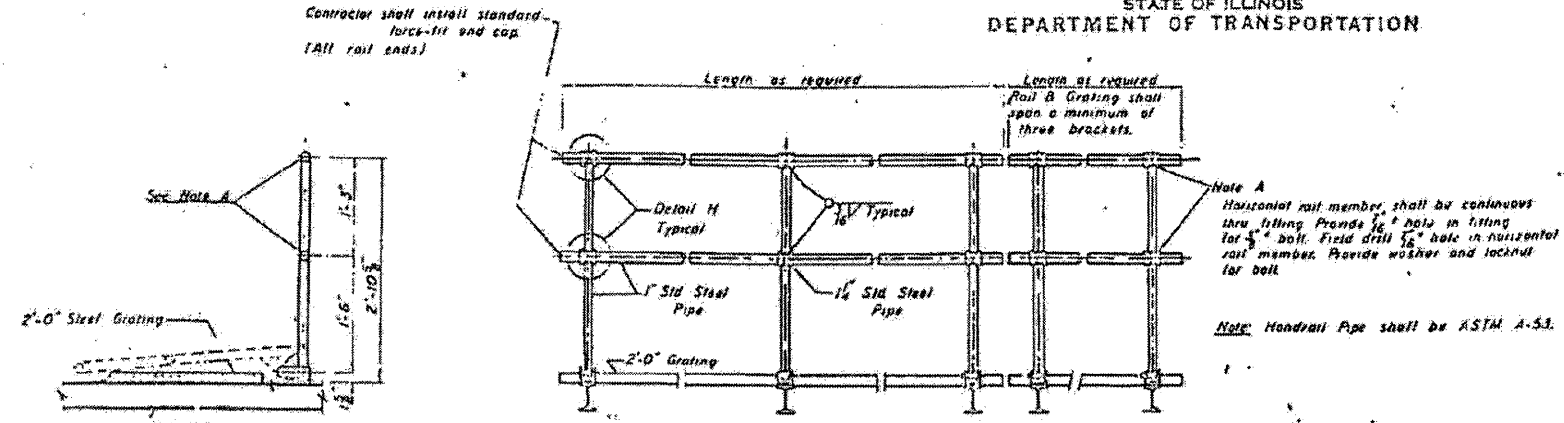


STATE OF ILLINOIS
DEPARTMENT OF TRANSPORTATION

DATE	BY	CHKD	APP'D	SHEET NO.
11/10/08	COOK	2/1	137	5



CANTILEVER SIGN STRUCTURES
STEEL WALKWAY DETAILS

FOR INFORMATION ONLY

Structure Number	Station	b	c	Grating & Handrail Lengths
CN-1	287+00 NB	15'-0"	22'-6"	22.5' LF
CS-3	197+00 SB	15'-0"	22'-6"	22.5' LF
CS-4	167+00 SB	15'-0"	22'-6"	22.5' LF

DESIGNED	DJS	19
CHECKED	UKB	
DRAWN	W. West	
CHECKED	RWL	

OSC-S-A-SPECIAL

*F.A.I. 290 (INTERSTATE 290)
*F.A.U. 342 (IL ROUTE 53)

COPYRIGHT © 2008 BY BAXTER & WOODMAN, INC. STATE OF ILLINOIS PROFESSIONAL DESIGN FIRM LICENSE NO. - 084-00021 - EXPIRES 7/30/2013
 PROJECT NO. 2008-01-0053-40-Design-W0-27-IL-53 Signing CAD-SURVEY-DRAWINGS\0805-W0-27-1810-S015.dwg
 6/5/08 10:22:20 AM



USER NAME = 23lukb	DESIGNED - DJS	REVISED -
PLOT SCALE = 1:0000	DRAWN - UKB	REVISED -
PLOT DATE = 3/22/2012	CHECKED - RWL	REVISED -
	DATE - 12-13-11	REVISED -

STATE OF ILLINOIS
DEPARTMENT OF TRANSPORTATION

EXISTING CANTILEVER PLANS
FOR INFORMATION ONLY

F.A.I. RTE.	SECTION	COUNTY	TOTAL SHEETS	SHEET NO.
	2011-024-SG	DUPAGE/COOK	132	132M
CONTRACT NO. 60P24			ILLINOIS FED. AID PROJECT	