

04-26-2024 LETTING ITEM 114

FOR INDEX OF SHEETS, SEE SHEET NO. 2

STA. 202 + 86.71 (BK) = 126 + 96.71 (AH)
STA. 208 + 77.88 (BK) = 28 + 06.10 (AH)

ADT = 5,500 (2023)

D-97-005-24

STATE OF ILLINOIS
DEPARTMENT OF TRANSPORTATION

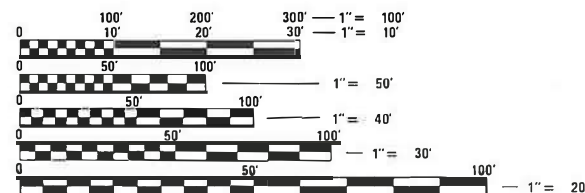
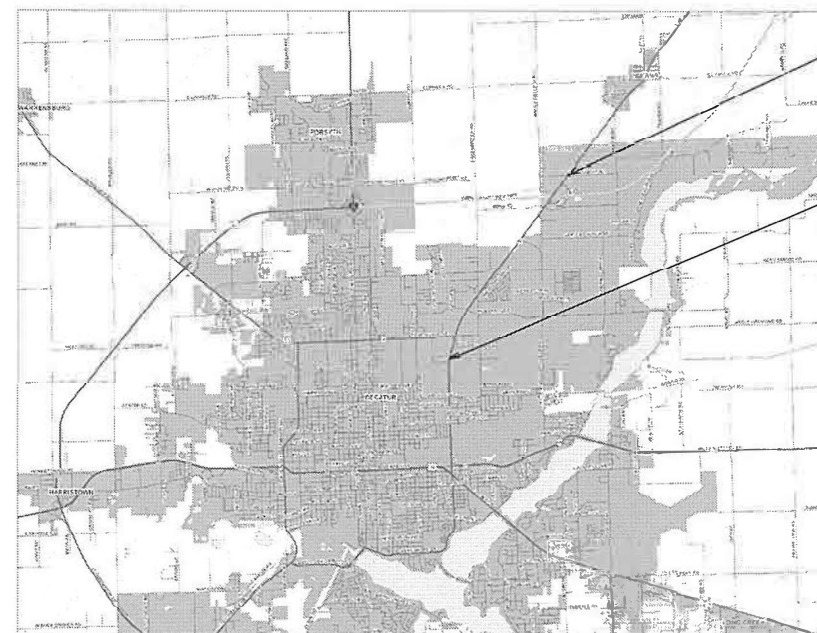
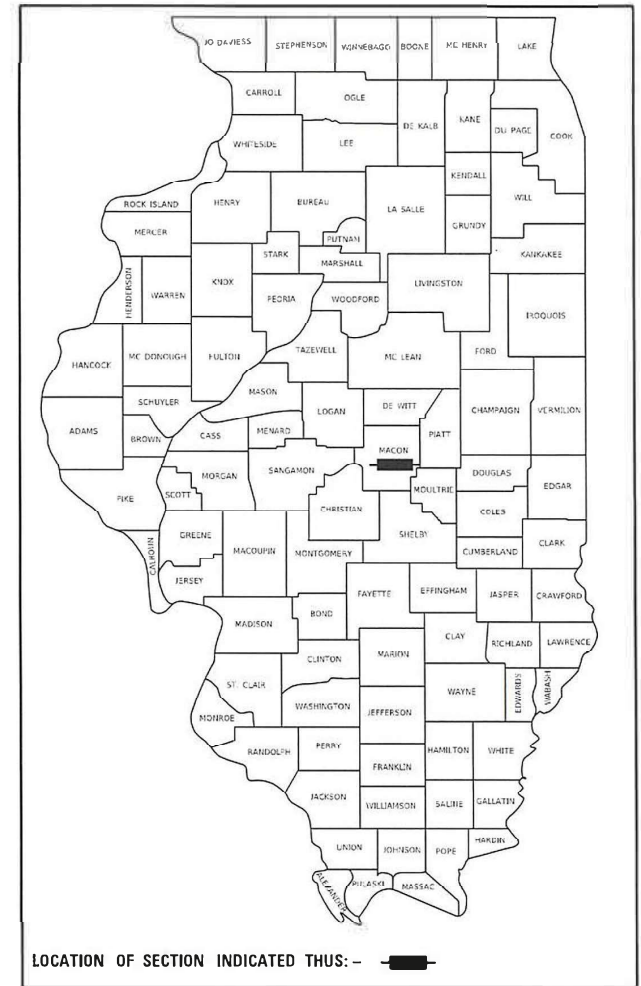
PROPOSED HIGHWAY PLANS

VARIOUS ROUTES
FAU ROUTE 7464, FAP 712, 320 (ILL 48, ILL 121)
SECTION D7 PATCHING 2024-2
PAVEMENT PATCHING
MACON COUNTY

C-97-005-24

F.A. RTE.	SECTION	COUNTY	TOTAL SHEETS	SHEET NO.
*	D7 PATCHING-	MACON	8	1
		ILLINOIS	CONTRACT NO. 74C73	

•FAU 7464, FAP 712, 320
ILL 48, ILL 121



FULL SIZE PLANS HAVE BEEN PREPARED USING STANDARD ENGINEERING SCALES. REDUCED SIZED PLANS WILL NOT CONFORM TO STANDARD SCALES. IN MAKING MEASUREMENTS ON REDUCED PLANS, THE ABOVE SCALES MAY BE USED.

J.U.L.I.E.
JOINT UTILITY LOCATION INFORMATION FOR EXCAVATORS
1-800-892-0123
OR 811

PROJECT ENGINEER JACQUELYN SEALS
PROJECT MANAGER ASHLEY WOODS

CONTRACT NO. 74C73

GROSS LENGTH = 18955.2 FT. = 3.59 MILE
NET LENGTH = 18955.2 FT. = 3.59 MILE

STATE OF ILLINOIS
DEPARTMENT OF TRANSPORTATION

SUBMITTED February 1, 2024
Jeffrey P. Myerles
REGIONAL ENGINEER

March 22, 2024
Scott A. Etk
ENGINEER OF DESIGN AND ENVIRONMENT

March 22, 2024
Steph M. Lewis
DIRECTOR OF HIGHWAYS PROJECT IMPLEMENTATION

PRINTED BY THE AUTHORITY
OF THE STATE OF ILLINOIS

GENERAL NOTES

THIS PROJECT IS LOCATED ON ILL 48 .50 MI N I-72
.30 MI SOUTH OF PERSHING RD IN DECATUR IN MACON
COUNTY. THE WORK INCLUDED IN SECTION D7 PATCHING 2024-2
CONSISTS OF PAVEMENT PATCHING, TRAFFIC CONTROL, AND
ANY OTHER WORK NECESSARY TO COMPLETE THIS PROJECT.

THE ACTUAL LOCATIONS AND QUANTITIES SHALL BE DETERMINED
BY THE ENGINEER IN THE FIELD.

PATCHING REINFORCEMENT AND ALL TIE BARS WILL USE #6 3/4" REBAR.

THE COST OF RAISED REFLECTIVE PAVEMENT MARKER REMOVAL IS
INCLUDED IN THE COST OF CLASS A PATCHING (SPECIAL),
TYPE I-IV, 11"-13".

DETECTOR LOOPS REMOVED OR DAMAGED DUE TO PATCHING WILL
BE REPLACED IN KIND AND PAID FOR AS DETECTOR LOOP, TYPE I.
SAW CUTS WILL BE INCLUDED IN THE COST.

THE TRAFFIC SIGNAL ENGINEER AT THE ILLINOIS DEPARTMENT OF TRANSPORTATION
SHALL BE NOTIFIED AT 217-342-8396 AT LEAST 72 HOURS PRIOR TO PERFORMING
ANY WORK THAT WILL AFFECT TRAFFIC SIGNAL DETECTOR LOOPS.

ILLINOIS CENTRAL RAILROAD WILL BE IMPROVING THEIR CROSSING
(DOT# 291376V) IN THE SPRING OF 2024. CONTRACTOR WILL NEED
TO CONTACT THE PERSON LISTED BELOW TO COORDINATE TO AVOID
CONFLICT IF WORKING AT THE SAME TIME.

DIANE LEWIS PUBLIC WORKS MANAGER
ILLINOIS CENTRAL RAILROAD
(708)332-3554
DIANE.LEWIS@CN.CA

INDEX OF SHEETS

SHEET NO.	ITEM
1	COVER SHEET
2	GENERAL NOTES, INDEX OF SHEETS & LIST OF STANDARDS
3	SUMMARY OF QUANTITIES
4-5	PATCHING SCHEDULES
6-7	CLASS A PATCHES (SPECIAL) DETAILS
8	DISTRICT 7 DETECTOR LOOP DETAIL

THE FOLLOWING STANDARDS ARE A PART OF THESE PLANS AND ARE INCLUDED AFTER SHEET NO. 8:

STANDARD NO.	DESCRIPTION
000001-08	STANDARD SYMBOLS, ABBREVIATIONS AND PATTERNS
001001-02	AREAS OF REINFORCEMENT BARS
001006	DECIMAL OF AN INCH AND OF A FOOT
420001-10	PAVEMENT JOINTS
442001-04	CLASS A PATCHES
701101-05	OFF-ROAD OPERATIONS, MULTILANE, 15' (4.5M) TO 24" (600MM) FROM PAVEMENT EDGE
701106-02	OFF-ROAD OPERATIONS, MULTILANE, MORE THAN 15' (4.5 M) AWAY
701601-09	URBAN LANE CLOSURE, MULTILANE, 1W OR 2W WITH NONTRAVERSABLE MEDIAN
701701-10	URBAN LANE CLOSURE, MULTILANE INTERSECTION
701901-09	TRAFFIC CONTROL DEVICES
886001-01	DETECTOR LOOP INSTALLATIONS
886006-01	TYPICAL LAYOUTS FOR DETECTION LOOPS

REV. - MS

MODEL: D:\default
 FILE: Macos: p:\illdot\ca\benley.com\p\illdot\documents\DOT_Offices\District_7\Projects\74C73\CAD\data\CAD\sheet\074C73-811-generate.dgn

USER NAME = Mona.Steffen	DESIGNED -	REVISED -	STATE OF ILLINOIS DEPARTMENT OF TRANSPORTATION	INDEX OF SHEETS & GENERAL NOTES				F.A. RTE.	SECTION	COUNTY	TOTAL SHEETS	SHEET NO.
	DRAWN -	REVISED -		* D7 PATCHING 2024-2	MACON	8	2					
PLOT SCALE = 100.0000' / in.	CHECKED -	REVISED -		SCALE:	SHEET	OF	SHEETS	STA.	TO	STA.	ILLINOIS FED. AID PROJECT	
PLOT DATE = 1/25/2024	DATE -	REVISED -		•FAU 7464, FAP 712, 320 ILL 48, ILL 121								

100% STATE

100% STATE

SUMMARY OF QUANTITIES			TOTAL QUANTITIES	CONSTRUCTION TYPE CODE		
CODE NO	ITEM	UNIT		0006		
44213000	PATCHING REINFORCEMENT	SO YD	2565.5	2565.5		
44213200	SAW CUTS	FOOT	7274.0	7274.0		
44213204	TIE BARS 3/4"	EACH	575	575		
67100100	MOBILIZATION	L SUM	1	1		
70102630	TRAFFIC CONTROL AND PROTECTION, STANDARD	L SUM	1	1		
	701601					
70102635	TRAFFIC CONTROL AND PROTECTION, STANDARD	L SUM	1	1		
	701701					
70107025	CHANGEABLE MESSAGE SIGN	CAL DA	28	28		
* 88600100	DETECTOR LOOP, TYPE I	FOOT	200	200		
X4420563	CLASS A PATCHES, TYPE I, 11 INCH (SPECIAL)	SO YD	192	192		
X4420565	CLASS A PATCHES, TYPE II, 11 INCH (SPECIAL)	SO YD	626.7	626.7		
X4420569	CLASS A PATCHES, TYPE III, 11 INCH (SPECIAL)	SO YD	108	108		
X4420571	CLASS A PATCHES, TYPE IV, 11 INCH (SPECIAL)	SO YD	938.8	938.8		
X4420581	CLASS A PATCHES, TYPE I, 13 INCH (SPECIAL)	SO YD	4	4		

SUMMARY OF QUANTITIES			TOTAL QUANTITIES	CONSTRUCTION TYPE CODE		
CODE NO	ITEM	UNIT		0006		
X4420583	CLASS A PATCHES, TYPE II, 13 INCH (SPECIAL)	SO YD	117.3	117.3		
X4420585	CLASS A PATCHES, TYPE III, 13 INCH (SPECIAL)	SO YD	32	32		
X4420587	CLASS A PATCHES, TYPE IV, 13 INCH (SPECIAL)	SO YD	546.7	546.7		

* SPECIALTY ITEM

REV. - MS

MODEL: Default
 FILE: M:\MS - P\11482-cw-bentley.com\PROJECTS\DOT Offices\District 7\Projects\74C73\CADDData\CAD\Sheets\DOT\74C73-sh-500.dgn

USER NAME = Mona.Steffen	DESIGNED -	REVISED -
PLOT SCALE = 100.0000' / in.	DRAWN -	REVISED -
PLOT DATE = 1/25/2024	CHECKED -	REVISED -
	DATE -	REVISED -

**STATE OF ILLINOIS
DEPARTMENT OF TRANSPORTATION**

SUMMARY OF QUANTITIES			
SCALE:	SHEET	OF 8 SHEETS	STA. TO STA.

F.A. RTE.	SECTION	COUNTY	TOTAL SHEETS	SHEET NO.
*	D7 PATCHING 2024-2	MACON	8	3
CONTRACT NO. 74C73				
ILLINOIS FED. AID PROJECT				

*FAU 7464, FAP 712, 320
ILL 48, ILL 121

PATCHING SCHEDULE CONT.

PATCH NUMBER	LANE	STATION	LENGTH FOOT	WIDTH FOOT	X4420563 CLASS A PATCHES, TY I, 11 INCH (SPECIAL)		X4420565 CLASS A PATCHES, TY II, 11 INCH (SPECIAL)		X4420569 CLASS A PATCHES, TY III, 11 INCH (SPECIAL)		X4420571 CLASS A PATCHES, TY IV, 11 INCH (SPECIAL)		X4420581 CLASS A PATCHES, TY I, 13 INCH (SPECIAL)		X4420583 CLASS A PATCHES, TY II, 13 INCH (SPECIAL)		X4420585 CLASS A PATCHES, TY III, 13 INCH (SPECIAL)		X4420587 CLASS A PATCHES, TY IV, 13 INCH (SPECIAL)		44213204 TIE BARS, 3/4"	44213000 PATCHING REINFORCEMENT	44213200 SAW CUTS
					TYPE 1 SQ YD	SQ YD	TYPE 3 SQ YD	TYPE 4 SQ YD	TYPE 1 SQ YD	TYPE 2 SQ YD	TYPE 3 SQ YD	TYPE 4 SQ YD	EACH	SQ YD	FOOT								
101	SBPL	138+85	6.0	6.0	4.0																	4.0	24.0
102	SBDL	138+85	6.0	6.0	4.0																	4.0	24.0
103	SBDL	138+75	12.0	6.0		8.0																8.0	36.0
104	SBPL	138+75	6.0	6.0	4.0																	4.0	24.0
105	SBPL	138+50	6.0	6.0	4.0																	4.0	24.0
106	SBPL	138+45	6.0	6.0	4.0																	4.0	24.0
107	SBPL	138+40	6.0	6.0	4.0																	4.0	24.0
108	SBPL	138+25	10.0	6.0		6.7																6.7	32.0
109	SBPL	138+10	6.0	12.0		8.0																8.0	36.0
110	SBPL	138+05	6.0	6.0	4.0																	4.0	24.0
111	SBPL	138+00	6.0	6.0	4.0																	4.0	24.0
112	SBPL	137+95	6.0	6.0	4.0																	4.0	24.0
113	SBPL	137+90	6.0	6.0	4.0																	4.0	24.0
114	SBPL	137+85	6.0	6.0	4.0																	4.0	24.0
115	SBPL	137+75	6.0	6.0	4.0																	4.0	24.0
116	SBLTL	137+75	6.0	12.0		8.0																8.0	36.0
117	SBPL	137+50	6.0	6.0	4.0																	4.0	24.0
118	SBLTL	137+50	6.0	12.0		8.0																8.0	36.0
119	SBLTL	137+45	6.0	12.0		8.0																8.0	36.0
120	SBPL	137+35	6.0	12.0		8.0																8.0	36.0
121	SBDL	137+35	6.0	12.0		8.0																8.0	36.0
122	SBLTL	137+35	6.0	12.0		8.0																8.0	36.0
123	SBPL	136+80	6.0	12.0		8.0																8.0	36.0
124	SBDL	136+80	6.0	12.0		8.0																8.0	36.0
125	SBDL	136+30	30.0	12.0				40.0										14				40.0	84.0
126	SBDL	135+80	6.0	12.0		8.0																8.0	36.0
127	SBPL	135+65	6.0	12.0		8.0																8.0	36.0
128	SBDL	135+20	6.0	12.0		8.0																8.0	36.0
129	SBPL	129+80	6.0	12.0		8.0																8.0	36.0
130	SBPL	127+50	6.0	12.0		8.0																8.0	36.0
131	SBPL	127+50	6.0	12.0		8.0																8.0	36.0
132	SBPL	127+50	6.0	12.0		8.0																8.0	36.0
133	SBDL	127+25	10.0	12.0		13.3																13.3	44.0
134	SBPL	127+25	10.0	12.0		13.3																13.3	44.0
1	NBDL	155+60	8.0	12.0									10.7									10.7	40.0
2	NBDL	157+10	6.0	12.0									8.0									8.0	36.0
3	NBDL	163+40	120.0	12.0											160.0		59					160.0	264.0
4	NBPL	163+40	120.0	12.0											160.0		59					160.0	264.0
5	NBDL	165+05	6.0	12.0									8.0									8.0	36.0
6	NBPL	169+65	6.0	17.0									8.0									8.0	36.0
7	NBDL	169+65	6.0	12.0									8.0									8.0	36.0
8	NBDL	169+75	6.0	12.0									8.0									8.0	36.0
9	NBPL	171+55	20.0	12.0											26.7		9					26.7	64.0
10	NBDL	174+80	12.0	12.0									16.0									16.0	48.0
11	SBDL	172+85	10.0	12.0									13.3									13.3	44.0
12	SBDL	172+60	12.0	12.0									16.0									16.0	48.0
13	SBDL	170+00	10.0	12.0									13.3									13.3	44.0
14	SBPL	168+25	6.0	12.0									8.0									8.0	36.0
15	SBDL	167+00	110.0	12.0											146.7		54					146.7	244.0
16	SBDL	166+50	10.0	12.0									13.3									13.3	44.0
17	SBDL	164+35	8.0	12.0									10.7									10.7	40.0
18	SBDL	161+40	6.0	12.0									8.0									8.0	36.0
19	SBDL	161+00	40.0	12.0											53.3		19					53.3	104.0
20	SBPL	161+00	6.0	6.0									4.0									4.0	24.0

TOTAL: 192.0 626.7 108.0 938.8 4.0 117.3 32.0 546.7 575.0 2565.5 7274.0

MODEL: Default
 FILE: \\na16c-pw-beadef.com\FW\DOT\Documents\DOT\Office\Director_7\Projects\74C73\CADDData\CAD\Sheet\DOT\74C73-patching-schedule.dgn

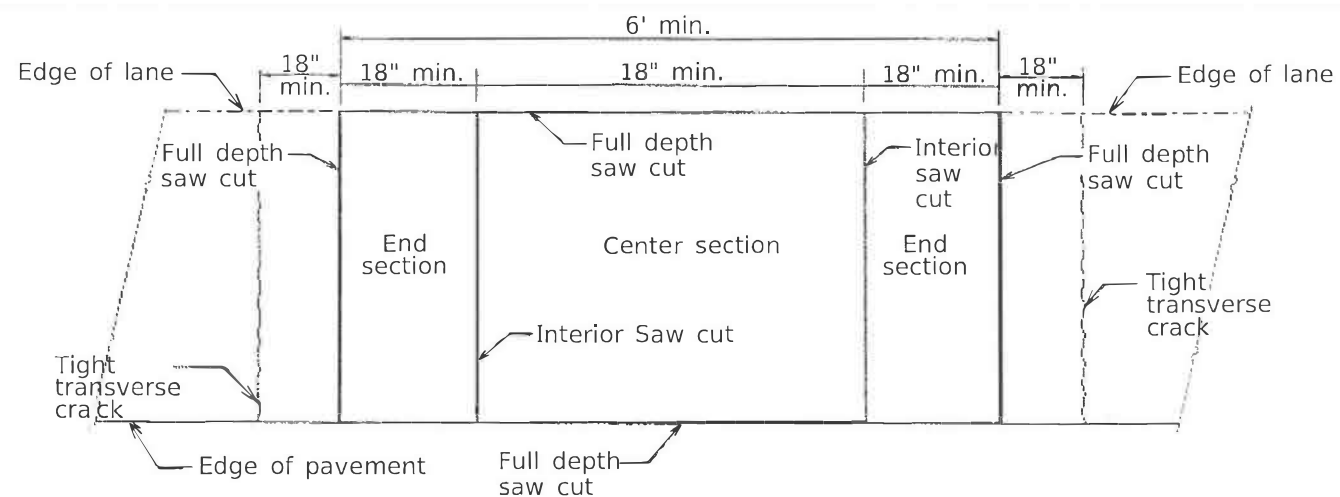
USER NAME = Mona.Steffen	DESIGNED -	REVISED -
	DRAWN -	REVISED -
PLOT SCALE = 100,0000' / in.	CHECKED -	REVISED -
PLOT DATE = 1/26/2024	DATE -	REVISED -

STATE OF ILLINOIS DEPARTMENT OF TRANSPORTATION

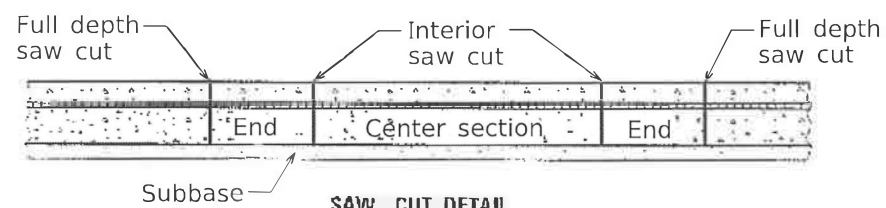
SCHEDULE OF QUANTITIES CLASS A PATCHES (SPECIAL)

SCALE: SHEET OF SHEETS STA. TO STA.

F.A.P. RTE.	SECTION	COUNTY	TOTAL SHEETS	SHEET NO.
*	D7 PATCHING 2024-2	MACON	8	5
		74C73		
ILLINOIS FED. AID PROJECT				



PAVEMENT SAWING DETAIL



SAW CUT DETAIL

GENERAL NOTES

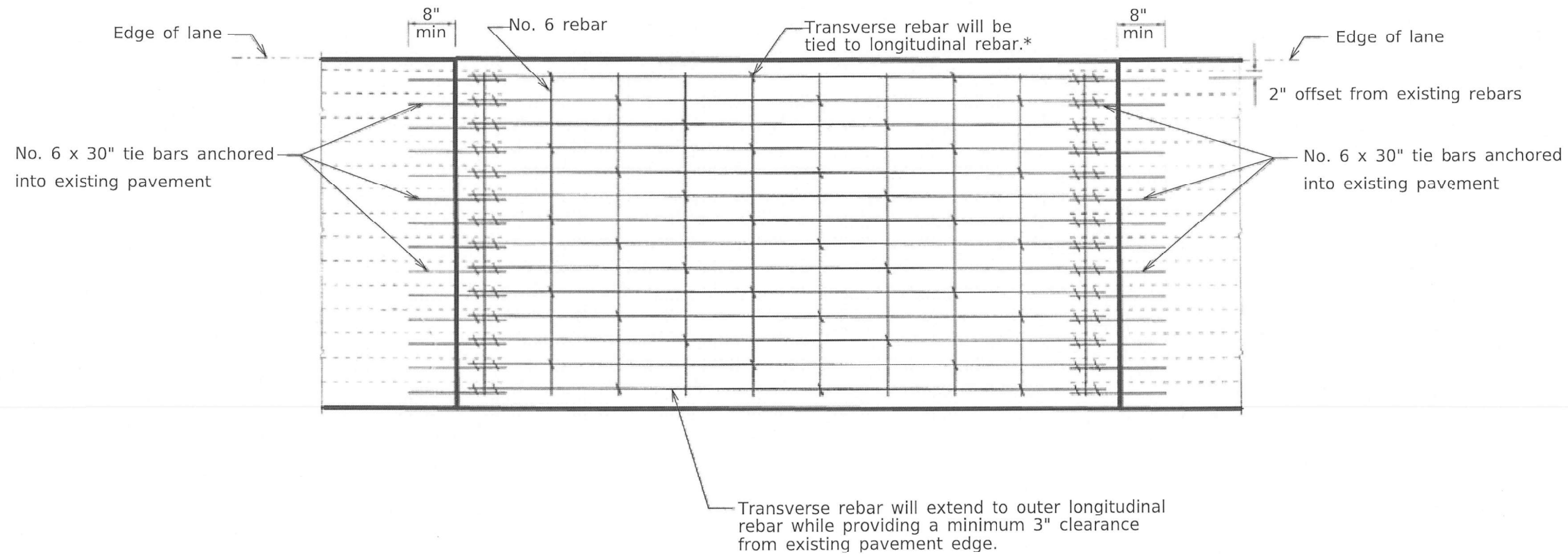
Interior saw cuts will be included in the cost of "CLASS A PATCHES (SPECIAL)."

When patching two adjacent lanes in one operation, the longitudinal joint shall be a longitudinal sawed joint as detailed on Standard 442001-04, however the groove may be either performed or sawed.

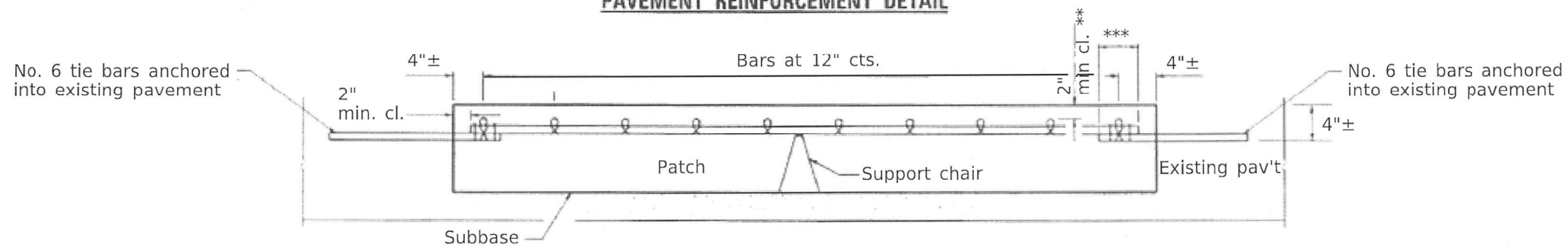
The #6 tie bars to be drilled & grouted into the existing pavement shall be included in the cost of " CLASS A PATCHES (SPECIAL)."

MODEL: Default
 FILE: Macos: p:\illdot\paw\benfley.com\p\illdot\Documents\DOT_Offices\District_7\Projects\74C73\CADD\Drawings\074C73-SP-Details.dgn

USER NAME = Mona.Steffen	DESIGNED -	REVISED -	STATE OF ILLINOIS DEPARTMENT OF TRANSPORTATION	CLASS A PATCHES (SPECIAL)		F.A.P. RTE.	SECTION	COUNTY	TOTAL SHEETS	SHEET NO.				
PLOT SCALE = 100.0000' / in.	DRAWN -	REVISED -		SCALE:	SHEET	OF	SHEETS	STA.	TO STA.	*	D7 PATCHING 2024-2	MACON	8	6
PLOT DATE = 1/25/2024	CHECKED -	REVISED -												
	DATE -	REVISED -												



PAVEMENT REINFORCEMENT DETAIL



PATCHING DETAIL

- * Every 3rd intersection must be tied.
- ** When the minimum clearance cannot be obtained with the transverse bar on top then the transverse rebar shall be tied to the bottom of the longitudinal rebar.
- *** Minimum lap length is 18"

GENERAL NOTES

Interior saw cuts will be included in the cost of "CLASS A PATCHES (SPECIAL)."

The #6 tie bars to be drilled & grouted into the existing pavement shall be included in the cost of "CLASS A PATCHES (SPECIAL)."

MODEL: Default
 FILE: \\maile-pw-beadley.com\PIV\DOT\Documents\DOT Office\Director: 7\Projects\74C73\CADDData\CAD\Sheets\74C73-SP-DETAILED.dgn

USER NAME = Mona.Steffen	DESIGNED -	REVISED -
	DRAWN -	REVISED -
PLOT SCALE = 100,0000' / in.	CHECKED -	REVISED -
PLOT DATE = 1/25/2024	DATE -	REVISED -

**STATE OF ILLINOIS
DEPARTMENT OF TRANSPORTATION**

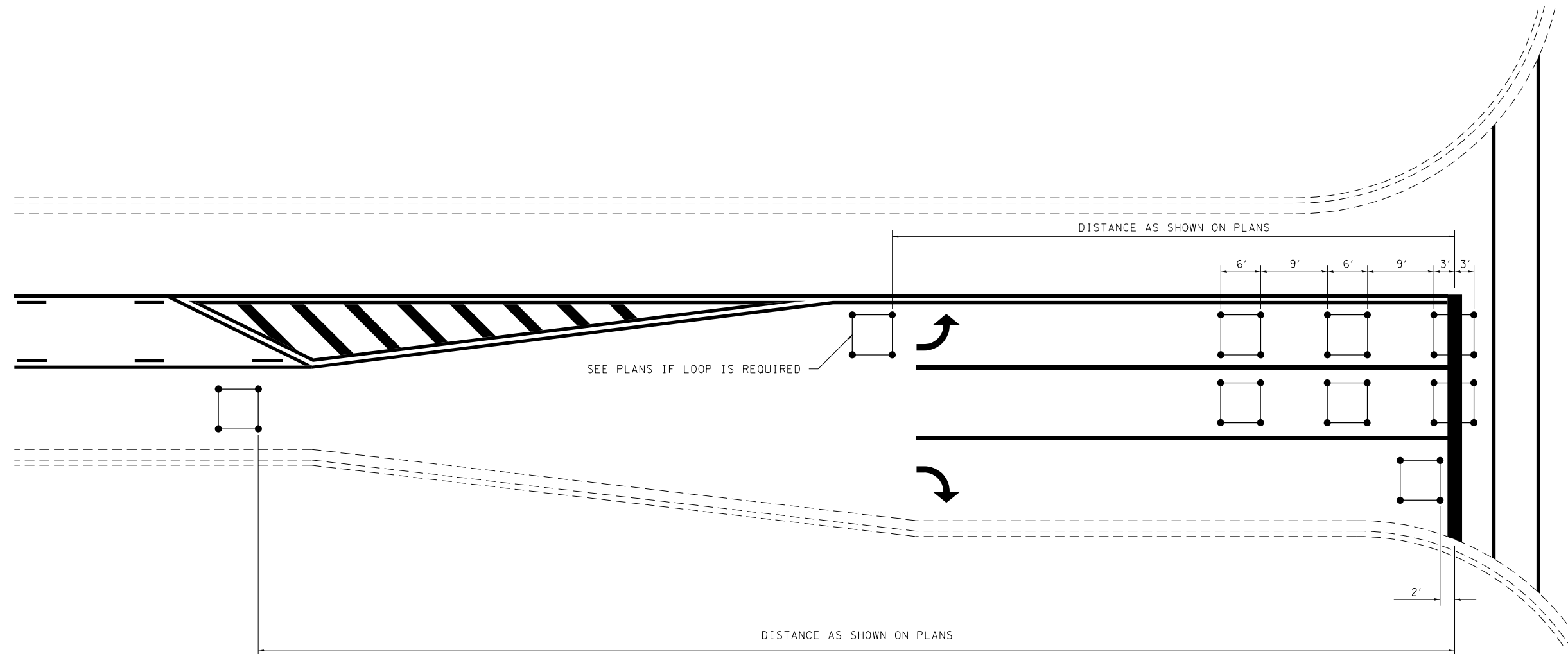
CLASS A PATCHES (SPECIAL)

SCALE: SHEET OF SHEETS STA. TO STA.

F.A.P. RTE.	SECTION	COUNTY	TOTAL SHEETS	SHEET NO.
*	D7 PATCHING 2024-2	MACON	8	7
CONTRACT NO.: 74C73				
ILLINOIS FED. AID PROJECT				

*FAU 7464, FAP 712, 320
ILL 48, ILL 121

TYPICAL APPLICATION OF DETECTOR LOOPS



NOTE:

1. EACH LOOP SHALL HAVE ITS OWN HOMERUN TO THE GULFBOX/HANDHOLE.
2. LOOPS SHOULD BE CENTERED IN EACH LANE.
3. USE 6' BY 6' LOOPS FOR LANE WIDTHS OF 11' OR GREATER.
4. USE 5' BY 5' LOOPS IF LANE WIDTH IS LESS THAN 11'.

NOT TO SCALE

DISTRICT 7 DETAIL NO. 88600100

FILE NAME =	USER NAME = Mono.Steffen	DESIGNED -	REVISED - MKS 4-08
p:\1\idot-pw.bentley.com\PWIDOT\Documents\IDOT Offices\District 7\Projects\74C73\CADD\Drawings\Drawings\74C73-sht-details.dgn		CHECKED -	REVISED -
	PLOT SCALE = 100.0000' / in.	DATE -	REVISED -
	PLOT DATE = 1/25/2024		

**STATE OF ILLINOIS
DEPARTMENT OF TRANSPORTATION**

TYPICAL APPLICATIONS OF DETECTOR LOOPS

SCALE: SHEET NO. OF SHEETS STA. TO STA.

F.A.P. RTE.	SECTION	COUNTY	TOTAL SHEETS	SHEET NO.
*	D7 PATCHING 2024-2	MACON	8	8
FED. ROAD DIST. NO.			ILLINOIS FED. AID PROJECT	
			CONTRACT NO. 74C74	