

STATE OF ILLINOIS
DEPARTMENT OF TRANSPORTATION

VAR. RTE.	SECTION	COUNTY	TOTAL SHEETS	SHEET NO.
	D4 PAVEMENT MARKINGS 2024	VARIOUS	5	1
		ILLINOIS	CONTRACT NO. 68H91	

INDEX OF SHEETS:

- 1 COVER SHEET
- 2 SUMMARY OF QUANTITIES
- 3 SCHEDULE OF QUANTITIES
- 4-5 TYPICAL PAVEMENT MARKINGS

HIGHWAY STANDARDS:

- 701311-03
- 701426-09
- 701427-05
- 701901-09
- 780001-05

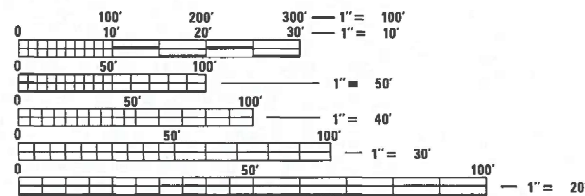
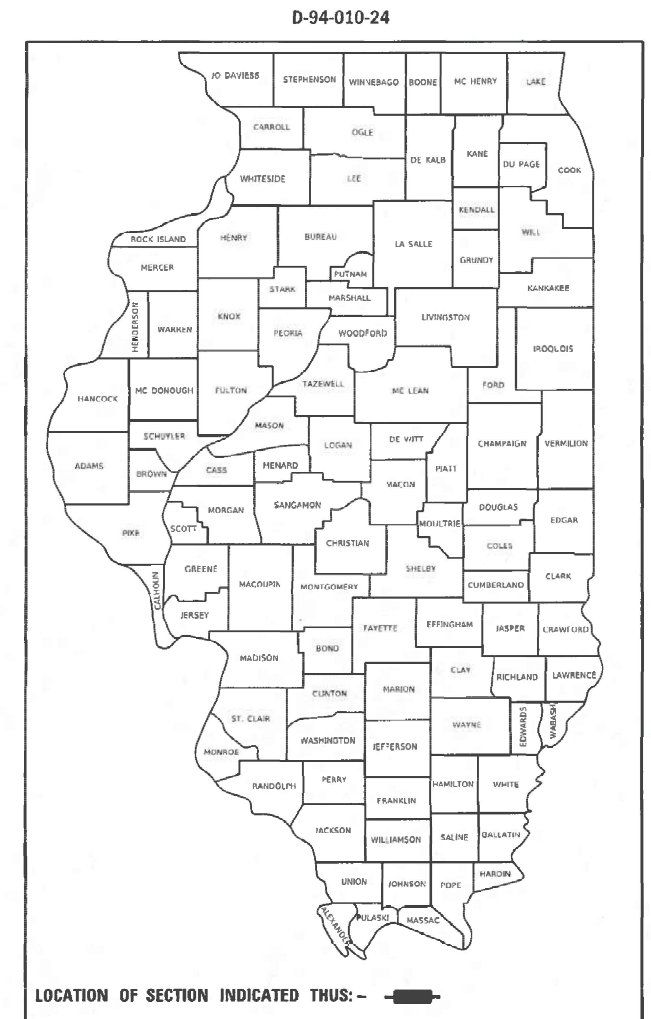
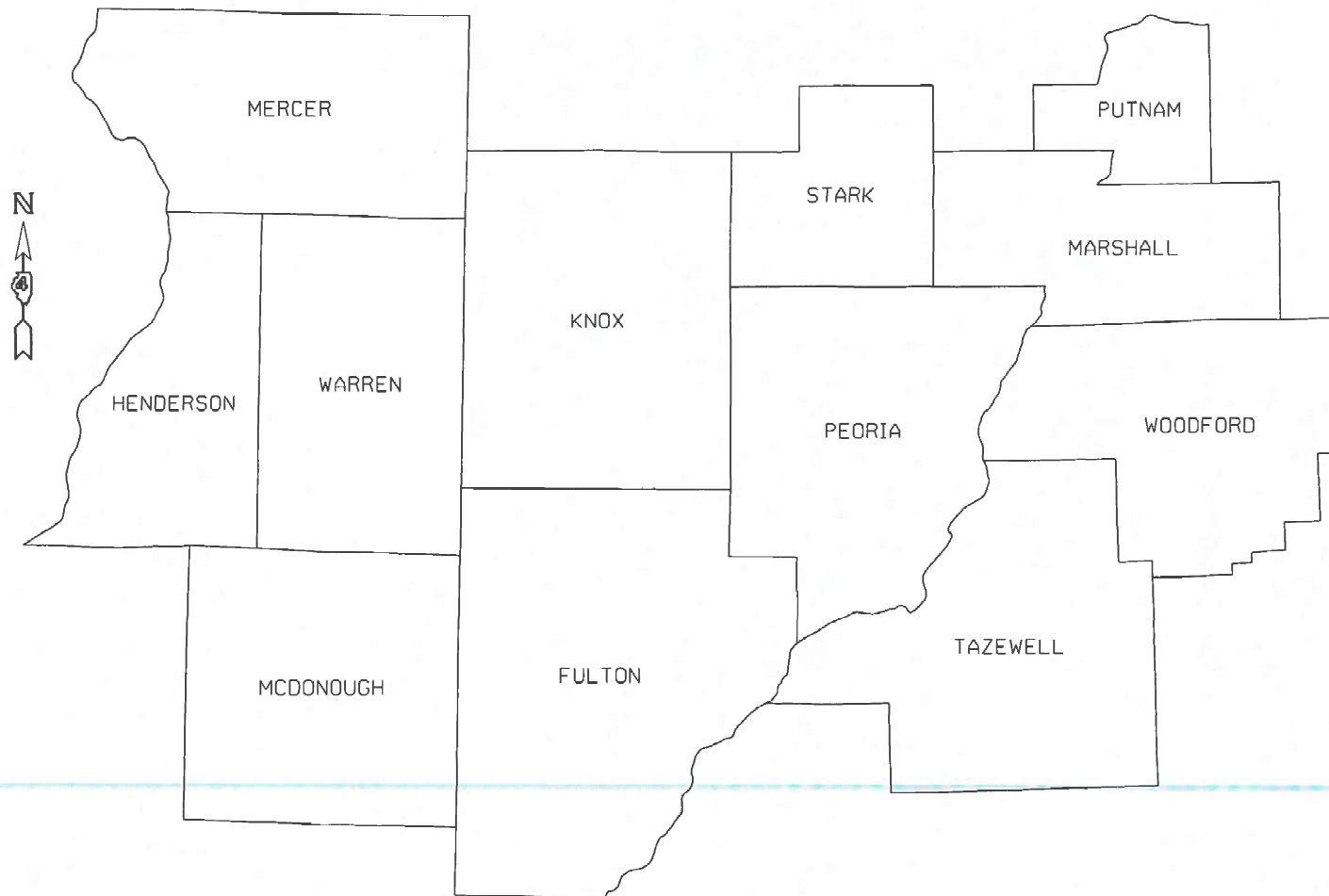
DISTRICT STANDARDS:

- 780001-D4

PROPOSED
HIGHWAY PLANS

VARIOUS ROUTES
SECTION D4 PAVEMENT MARKINGS 2024
CONTRACT MAINTENANCE
VARIOUS COUNTIES

C-94-010-24



FULL SIZE PLANS HAVE BEEN PREPARED USING STANDARD ENGINEERING SCALES. REDUCED SIZED PLANS WILL NOT CONFORM TO STANDARD SCALES. IN MAKING MEASUREMENTS ON REDUCED PLANS, THE ABOVE SCALES MAY BE USED.

J.U.L.I.E.
JOINT UTILITY LOCATION INFORMATION FOR EXCAVATORS
1-800-892-0123
OR 811

PROJECT ENGINEER ANNA GHIDINA

CATALOG NO. 036457-00D
CONTRACT NO. 68H91

PROJECT DESCRIPTION:

DISTRICTWIDE PAVEMENT MARKINGS

STATE OF ILLINOIS
DEPARTMENT OF TRANSPORTATION

SUBMITTED February 5, 2024
[Signature]
REGIONAL ENGINEER

March 22, 2024
[Signature]
ENGINEER OF DESIGN AND ENVIRONMENT

March 22, 2024
[Signature]
DIRECTOR OF HIGHWAYS PROJECT IMPLEMENTATION

PRINTED BY THE AUTHORITY
OF THE STATE OF ILLINOIS

PAINT PAVEMENT MARKING*

COUNTY	LINE 4"		LINE 6"	LINE 8"
	WHITE	YELLOW	WHITE	WHITE
	FOOT	FOOT	FOOT	FOOT
HENRY	94290	27173		
KNOX	1186635	626326	17394	23843
LASALLE	8516	1900		
MARSHALL	267826	99534		2247
MASON	10040	2809		
MCLEAN	11631	6395		
PEORIA	671275	594560	71272	79945
PUTNAM	87163	52555	850	502
STARK	301730	173649		1456
TAZEWELL	461715	297896	18086	28561
WOODFORD	233467	115010		1272
SUBTOTAL	3334288	1997807	107602	137826
TOTAL	5332095		107602	137826

*FOR PAVEMENT MARKING LOCATIONS CONTACT BILL HARRMAN AT (309) 693-5716 OR DARRYL HOLMES AT (309) 734-3721

MOBILIZATION	
COUNTY	L SUM
VARIOUS	1
TOTAL	1

MODEL: Default
 FILE: \\mdele-prodfiles-cw.bentley.com:PHWDOT\Documents\DOT Offices\Bentley - Projects\04_68H91\CADD\Drawings\Drawings\04xxxxx-shr.pmk.dgn

USER NAME = anna.ghidina	DESIGNED -	REVISED -
	DRAWN -	REVISED -
PLOT SCALE = 40.0000 ' / in.	CHECKED -	REVISED -
PLOT DATE = 2/1/2024	DATE -	REVISED -

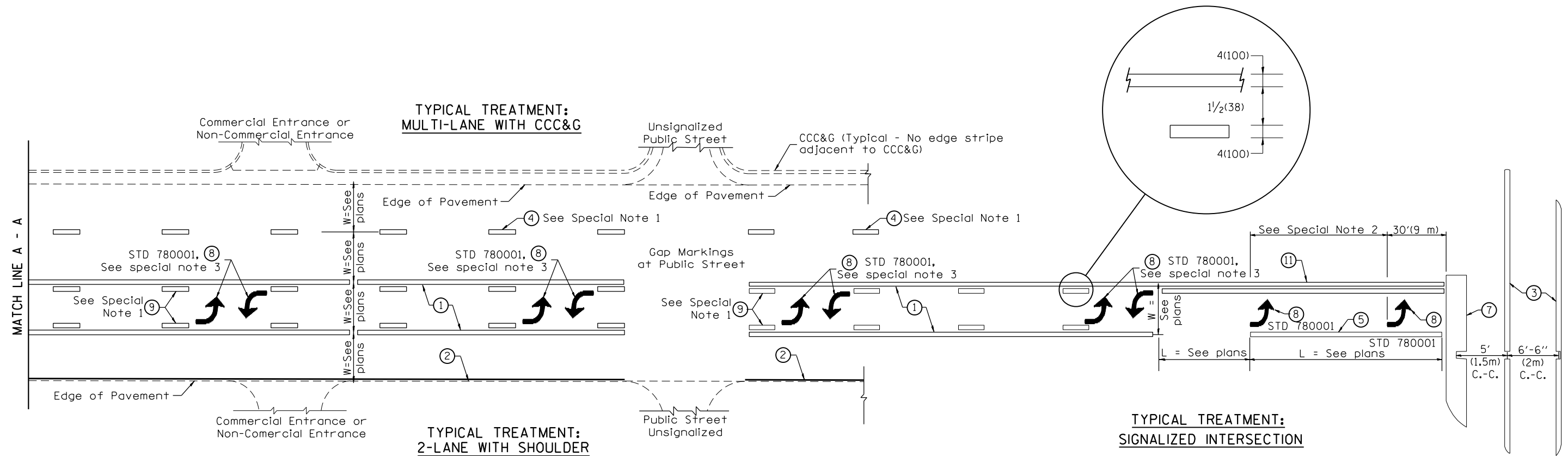
**STATE OF ILLINOIS
DEPARTMENT OF TRANSPORTATION**

SCHEDULE OF QUANTITIES

SCALE: SHEET OF SHEETS STA. TO STA.

F.A. RTE.	SECTION	COUNTY	TOTAL SHEETS	SHEET NO.
	D4 PAVEMENT MARKINGS 2024	VARIOUS	5	3
			CONTRACT NO. 68H91	
		ILLINOIS FED. AID PROJECT		

DESIGNER NOTES:
1. Include State Standard 780001 (Typical Pavement Markings)



FLUSH PAVED MEDIAN: TWO-WAY LEFT TURN LANE WITH ONE-WAY LEFT TURN LANE AT SIGNALIZED INTERSECTION

TYPICAL PAVEMENT MARKING LEGEND

(Note: This is a District Standard Legend. Some elements may not apply to specific project.)

- ① 4(100) Solid (Yellow)
- ② 4(100) Solid (White)
- ③ 2-6(150) Crosswalk @ 6'-6" (2m)min C.-C. (White)
2-8(200) Crosswalk @ 6'-6" (2m)min C.-C. (White) (When traffic signals are present.)
- ④ 6(150) Skip-Dash (White) (See Special Note 1)
- ⑤ 8(200) Solid (White)
- ⑥ 12(300) Diagonal (White) (Item ⑥ is shown on Std. 780001)
- ⑦ 24(600) Stop Bar (White)
- ⑧ Letters & Arrows (See Std. 780001 and Special Notes 2 & 3)
- ⑨ 4(100) Skip-Dash (Yellow) (See Special Note 1)
- ⑩ 12(300) Diagonal (Yellow) (See Table A) (See Table A)
- ⑪ 4(100) Double Solid (Yellow) (See Table A)

SPECIAL NOTES

1. Skip-Dash markings will be centered between both ends of city blocks and shall be placed in alignment transversely across the pavement.
2. The following shall apply to arrows located in one-way left turn lanes:
 - A. A minimum of two (2) arrows is required.
 - B. The maximum spacing between arrows is 80' (24 m).
 - C. Arrows shall be evenly spaced if three (3) or more are required.
3. The following shall apply to arrow pairs located in two-way left turn lanes:
 - A. A minimum of two (2) arrow pairs is required.
 - B. The maximum spacing between arrow pairs is 200' (61 m).
 - C. Arrow pairs shall be evenly spaced if three (3) or more are required.
 - D. The spacing between Bi Directional Left Turn Arrows is 33' (10 m).

GENERAL NOTES

1. Refer to State Standard 780001 for additional Pavement Markings including letters & arrows.
2. See Plans for Pavement Markings adjacent to curbed islands and medians, and through lane reductions.
3. Refer to Article 780.13 for letter, number and symbol areas (sq. ft.)
4. Areas are grooved 1" beyond each edge for the following symbols:
 - Through Arrow= 14.8 sq. ft.
 - Large Left or Right Arrow= 21.9 sq. ft.
 - 2 Arrow Combination Left (or Right) and Through= 34.9 sq. ft.
 - Wrong Way Arrow= 29.5 sq. ft.
 - Railroad Crossing Symbol= 69.8 sq. ft.
 (For further information, refer to BDE Special Provision: Grooving for Recessed Pavement Markings)

01-01-97	RENUM. F-8.03, NEW REVISION BOX	T.P.	10-16-06	REVISED TO 2007 SPEC.	
02-07-97	ADD BI DIRECTIONAL DIMENSION	J.A.	2/29/16	ADDED GROOVING AREAS	R.D.
10-97	CORRECT BI DIRECTIONAL DIMENSION	J.A.	07-16-19	SPELLING CORRECTIONS	R.D.
08-02	ADD CROSSWALK DMNS. WITH T.S.	M.A.			

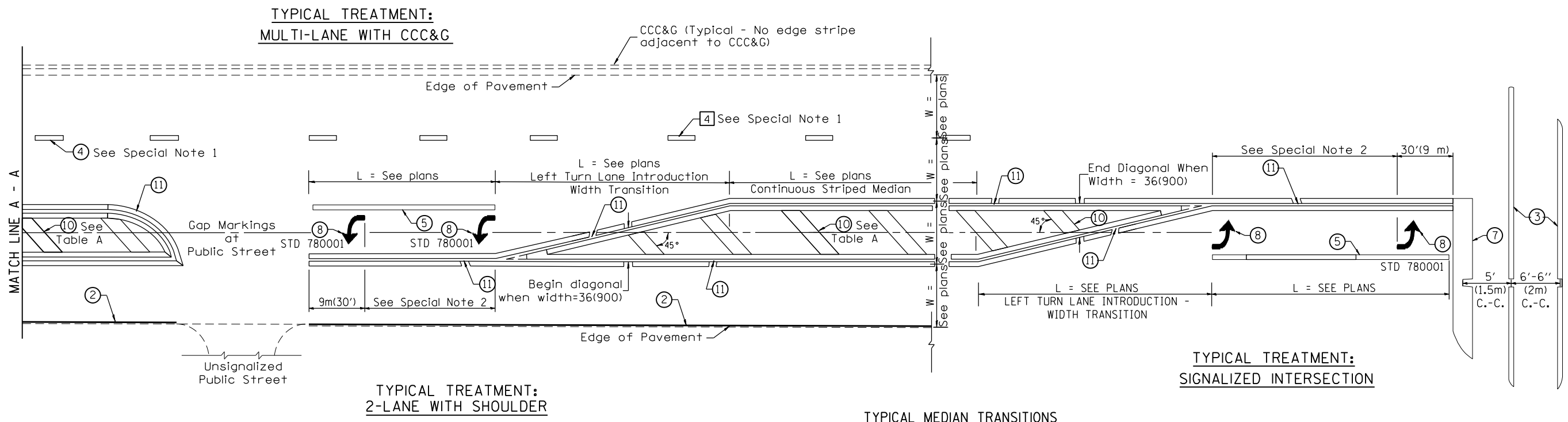
**STATE OF ILLINOIS
DEPARTMENT OF TRANSPORTATION**

NOT TO SCALE

TYPICAL PAVEMENT MARKINGS

SHT. 1 OF 2
CADD STD. 780001-D4

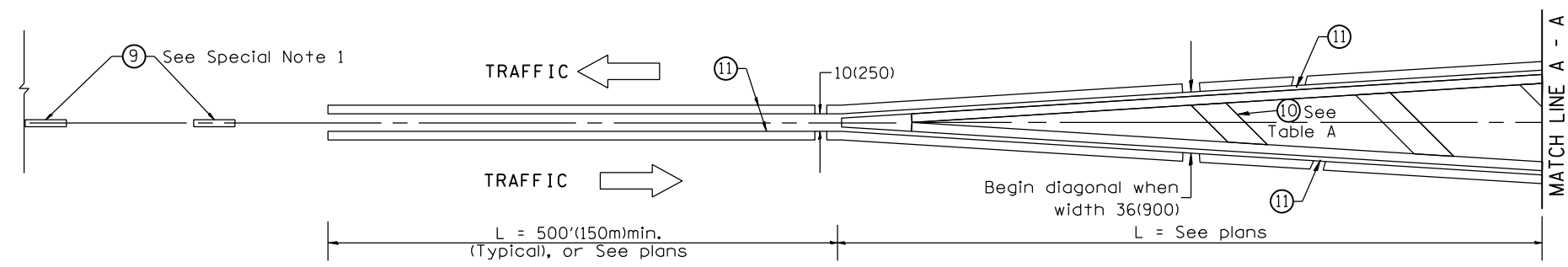
F.A. RTE.	SECTION	COUNTY	TOTAL SHEETS	SHEET NO.
	D4 PAVEMENT MARKINGS 2024	VARIOUS	5	4
FED. ROAD DIST. NO. ILLINOIS FED. AID PROJECT			CONTRACT NO. 68H91	



FLUSH PAVED MEDIAN: RESTRICTED LEFT TURN LANE

TABLE A
RECOMMENDED SPACING BETWEEN DIAGONAL LINES

SPEED LIMIT RANGE	INTERSECTION CHANNELIZATION (Includes Width Transitions for Median and Left Turn Lane Introductions)	
	CONTINUOUS	
Less Than 30 mph (50 km/h)	50' (15m)	15' (5m)
30 - 45 mph (50 - 70 km/h)	75' (23m)	20' (6m)
Over 45 mph (70 km/h)	150' (46m)	30' (9m)



MEDIAN INTRODUCTION - WIDTH TRANSITIONS

All dimensions are in inches (millimeters) unless otherwise noted.