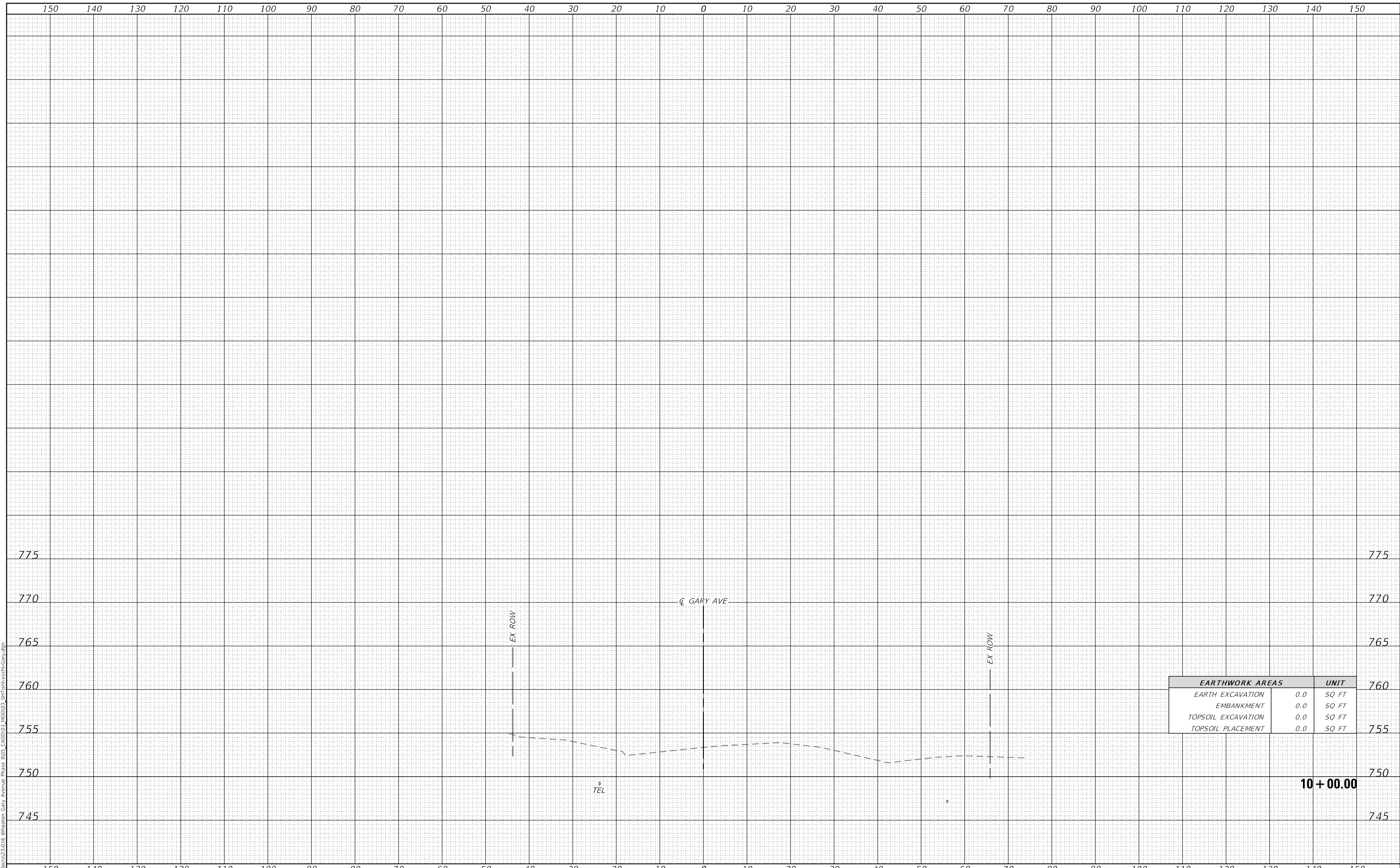


FINAL SURVEY NO.	SURVEYED	DATE
NOTE BOOK	PLOTTED	
	TEMPLATE	
	AREAS CHECKED	

ORIGINAL SURVEY NO.	SURVEYED	DATE
NOTE BOOK	PLOTTED	
	TEMPLATE	
	AREAS CHECKED	

MODEL: Default
FILE NAME: T:\Projects\23-016 Wheaton Gary Avenue Phase 1\05_CADD\01_00\0103_SHT\cst-gary.dgn



EARTHWORK AREAS		UNIT
EARTH EXCAVATION	0.0	SQ FT
EMBANKMENT	0.0	SQ FT
TOPSOIL EXCAVATION	0.0	SQ FT
TOPSOIL PLACEMENT	0.0	SQ FT



USER NAME = KyleVZ	DESIGNED - KVZ	REVISED -
	DRAWN - JBH	REVISED -
PLOT SCALE = 20.0000 ' / in.	CHECKED - JMY	REVISED -
PLOT DATE = 2/20/2024	DATE - 02/14/2024	REVISED -

**STATE OF ILLINOIS
DEPARTMENT OF TRANSPORTATION**

**CROSS SECTIONS
GARY AVENUE**

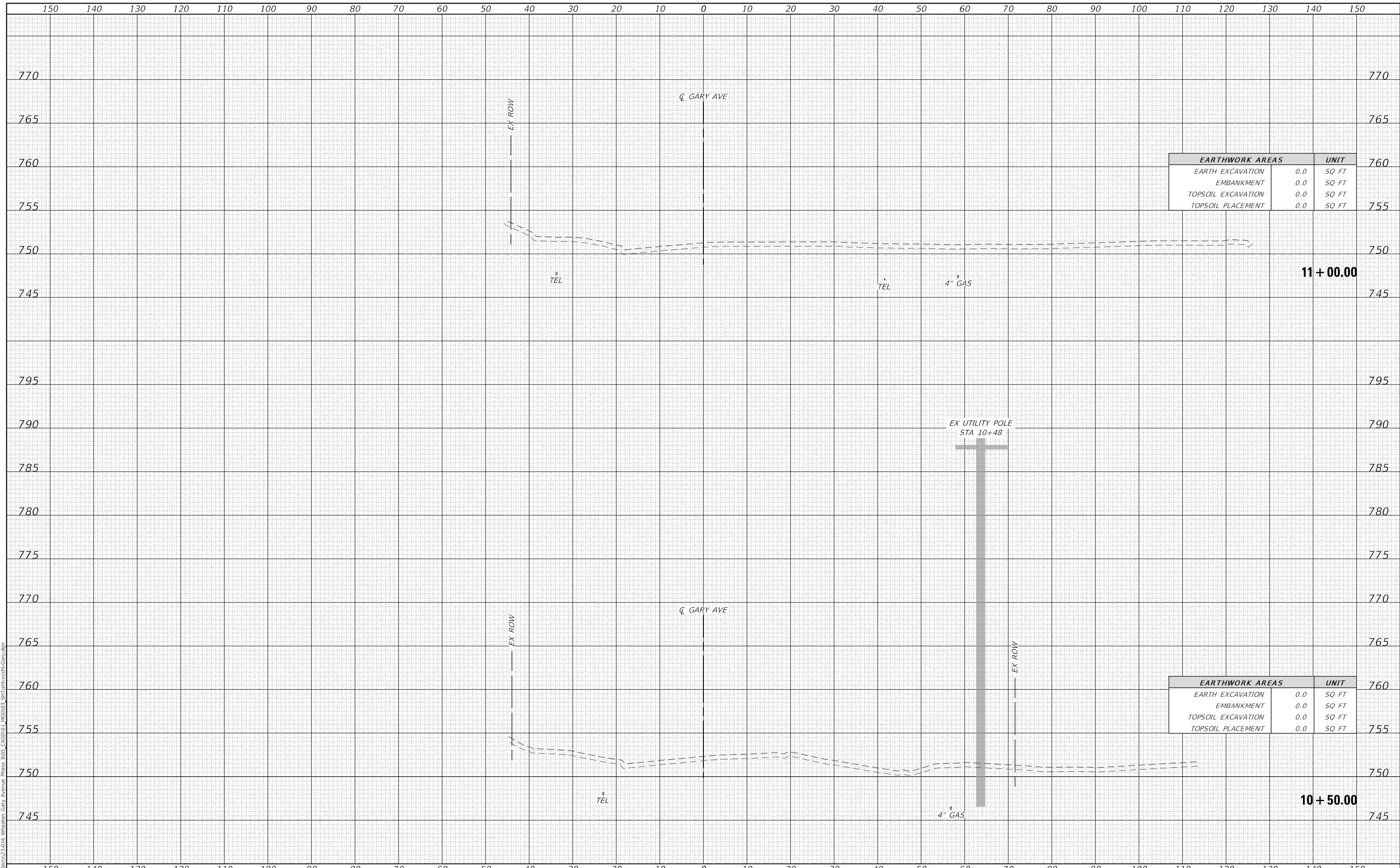
SCALE: 1"=10' SHEET OF SHEETS STA. 10+00.00 TO STA. 10+00.00

F.A.U. RTE.	SECTION	COUNTY	TOTAL SHEETS	SHEET NO.
2561	20-00123-00-PV	DUPAGE	257	201
CONTRACT NO. 61K32			ILLINOIS FED. AID PROJECT	

DATE	
BY	
FINAL SURVEY	SURVEYED
NOTE BOOK	PLOTTED
NO.	TEMPLATE
	AREAS CHECKED

DATE	
BY	
ORIGINAL SURVEY	SURVEYED
NOTE BOOK	PLOTTED
NO.	TEMPLATE
	AREAS CHECKED

MODEL: Default
 FILE NAME: T:\Projects\23-016 Wheaton Gary Avenue Phase 105_CADD\105_0103_SHT\105-0103-Gary.dgn



EARTHWORK AREAS		UNIT
EARTH EXCAVATION	0.0	SQ FT
EMBANKMENT	0.0	SQ FT
TOPSOIL EXCAVATION	0.0	SQ FT
TOPSOIL PLACEMENT	0.0	SQ FT

11 + 00.00

EARTHWORK AREAS		UNIT
EARTH EXCAVATION	0.0	SQ FT
EMBANKMENT	0.0	SQ FT
TOPSOIL EXCAVATION	0.0	SQ FT
TOPSOIL PLACEMENT	0.0	SQ FT

10 + 50.00



USER NAME = KyleVZ	DESIGNED - KVZ	REVISED -
	DRAWN - JBH	REVISED -
PLOT SCALE = 20.0000' / in.	CHECKED - JMY	REVISED -
PLOT DATE = 2/20/2024	DATE - 02/14/2024	REVISED -

STATE OF ILLINOIS
 DEPARTMENT OF TRANSPORTATION

CROSS SECTIONS
 GARY AVENUE

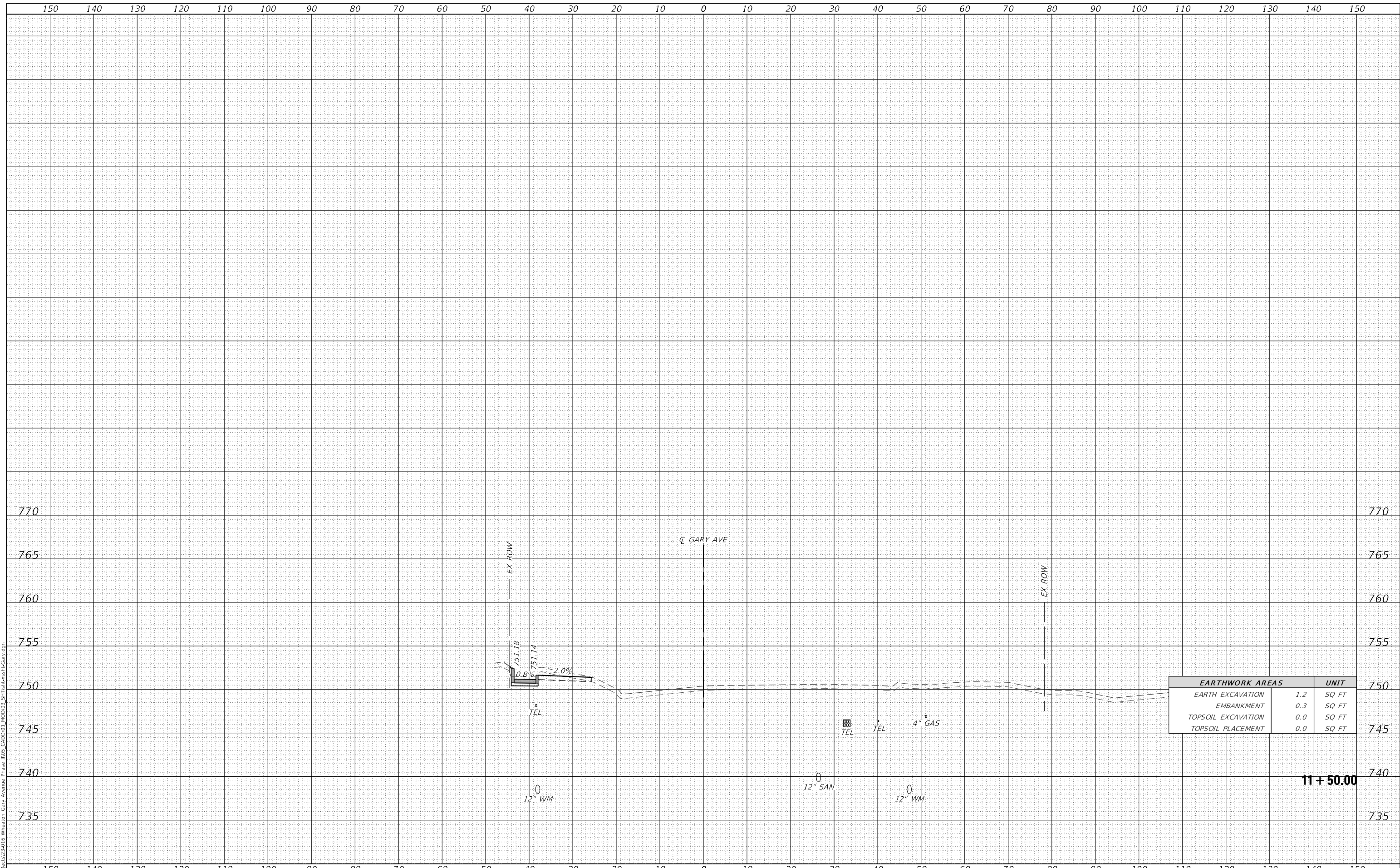
SCALE: 1"=10' SHEET OF SHEETS STA. 10+50.00 TO STA. 11+00.00

F.A.U. RTE.	SECTION	COUNTY	TOTAL SHEETS	SHEET NO.
2561	20-00123-00-PV	DUPAGE	257	202
				CONTRACT NO. 61K32
				ILLINOIS FED. AID PROJECT

FINAL SURVEY NO.	SURVEYED	DATE
NOTE BOOK	PLOTTED	
	TEMPLATE	
	AREAS CHECKED	

ORIGINAL SURVEY NO.	SURVEYED	DATE
NOTE BOOK	PLOTTED	
	TEMPLATE	
	AREAS CHECKED	

MODEL: Default
 FILE NAME: T:\Projects\23-016 Wheaton Gary Avenue Phase B\55_CADD\01_00\0103_SHT\cst-gary.dgn



EARTHWORK AREAS	UNIT
EARTH EXCAVATION	1.2 SQ FT
EMBANKMENT	0.3 SQ FT
TOPSOIL EXCAVATION	0.0 SQ FT
TOPSOIL PLACEMENT	0.0 SQ FT



USER NAME = KyleVZ	DESIGNED - KVZ	REVISED -
	DRAWN - JBH	REVISED -
PLOT SCALE = 20.0000' / in.	CHECKED - JMY	REVISED -
PLOT DATE = 2/20/2024	DATE - 02/14/2024	REVISED -

STATE OF ILLINOIS
 DEPARTMENT OF TRANSPORTATION

CROSS SECTIONS
 GARY AVENUE

SCALE: 1"=10' SHEET OF SHEETS STA. 11+50.00 TO STA. 11+50.00

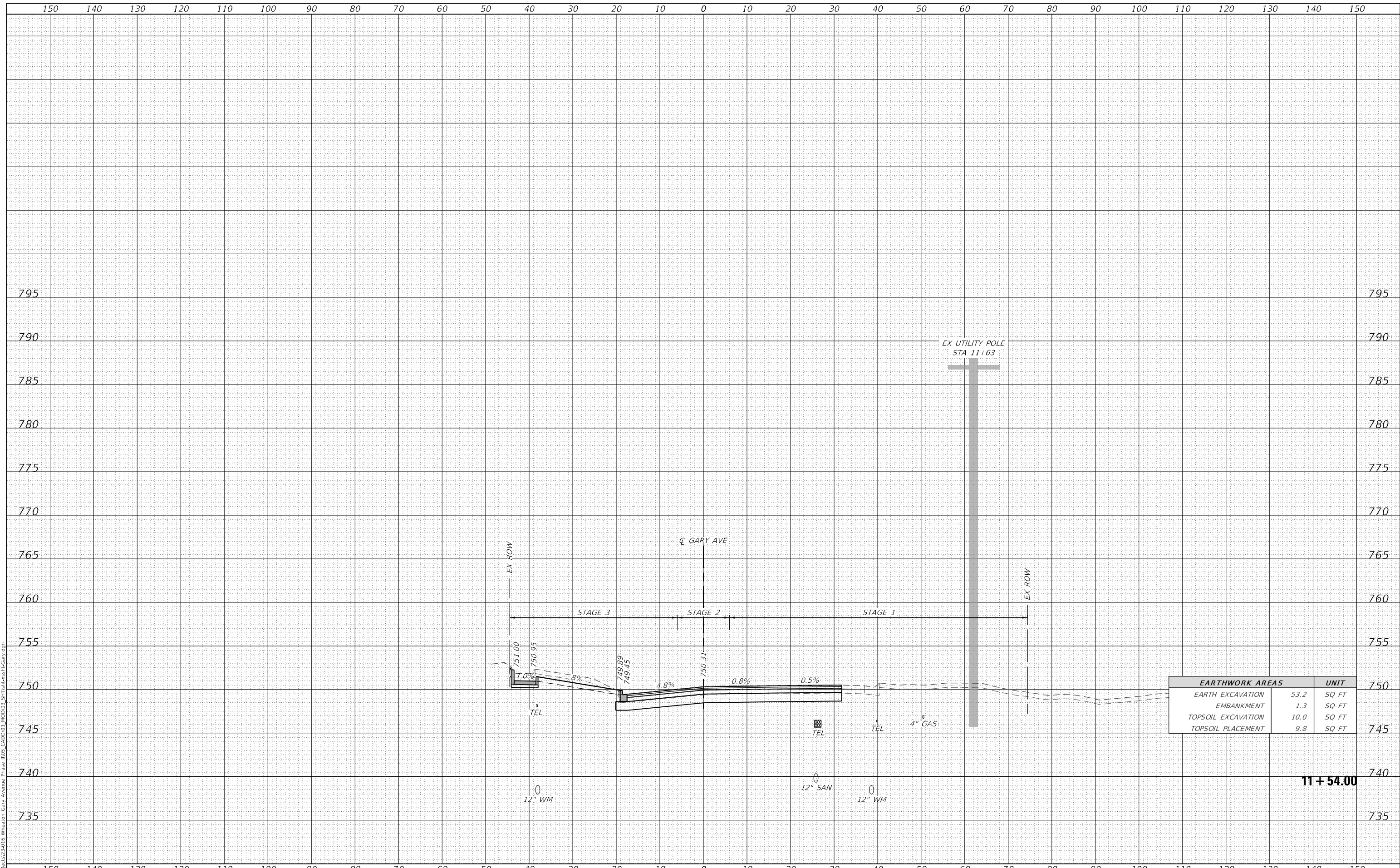
F.A.U. RTE.	SECTION	COUNTY	TOTAL SHEETS	SHEET NO.
2561	20-00123-00-PV	DUPAGE	257	203
CONTRACT NO. 61K32				

ILLINOIS FED. AID PROJECT

DATE	
BY	
FINAL SURVEY	SURVEYED
NOTE BOOK	PLOTTED
NO.	TEMPLATE
	AREAS CHECKED

DATE	
BY	
ORIGINAL SURVEY	SURVEYED
NOTE BOOK	PLOTTED
NO.	TEMPLATE
	AREAS CHECKED

MODEL: Default
 FILE NAME: T:\projects\23-016 Wheaton Gary Avenue Phase 105_CADD\1050103_SHT\st-ss-11-Gary.dgn



EARTHWORK AREAS	UNIT
EARTH EXCAVATION	53.2 SQ FT
EMBANKMENT	1.3 SQ FT
TOPSOIL EXCAVATION	10.0 SQ FT
TOPSOIL PLACEMENT	9.8 SQ FT

11 + 54.00



USER NAME = KyleVZ	DESIGNED - KVZ	REVISED -
	DRAWN - JBH	REVISED -
PLOT SCALE = 20.0000 ' / in.	CHECKED - JMY	REVISED -
PLOT DATE = 2/20/2024	DATE - 02/14/2024	REVISED -

**STATE OF ILLINOIS
 DEPARTMENT OF TRANSPORTATION**

**CROSS SECTIONS
 GARY AVENUE**

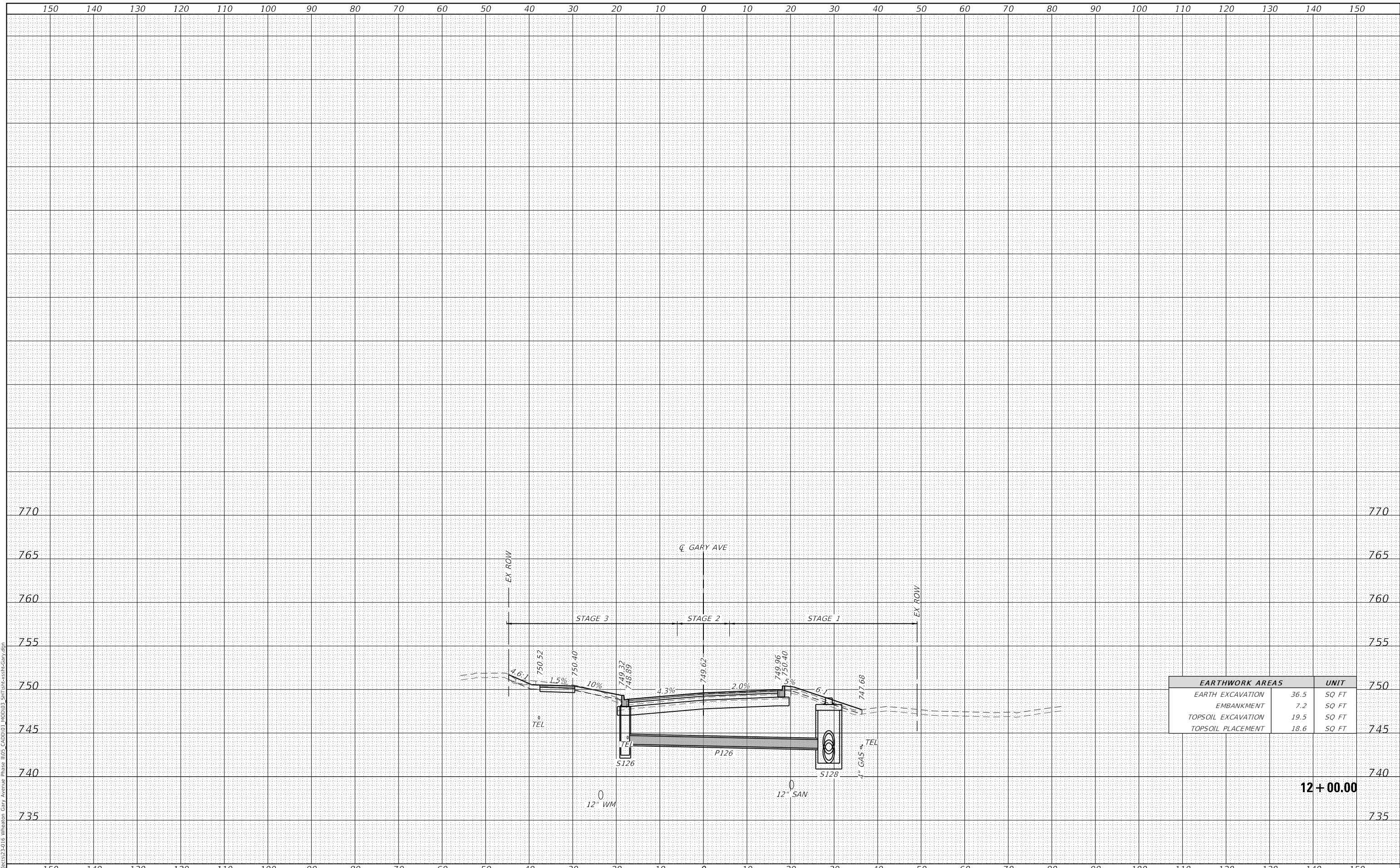
SCALE: 1"=10' SHEET OF SHEETS STA. 11+54.00 TO STA. 11+54.00

F.A.U. RTE.	SECTION	COUNTY	TOTAL SHEETS	SHEET NO.
2561	20-00123-00-PV	DUPAGE	257	204
CONTRACT NO. 61K32				
ILLINOIS FED. AID PROJECT				

FINAL SURVEY NO.	SURVEYED	DATE
NOTE BOOK	PLOTTED	
	TEMPLATE	
	AREAS CHECKED	

ORIGINAL SURVEY NO.	SURVEYED	DATE
NOTE BOOK	PLOTTED	
	TEMPLATE	
	AREAS CHECKED	

MODEL: Default
 FILE NAME: T:\Projects\23-016 Wheaton Gary Avenue Phase 1\05_CADD\01_P10103_SHT\st-x-sec-Gary.dgn



EARTHWORK AREAS	UNIT
EARTH EXCAVATION	36.5 SQ FT
EMBANKMENT	7.2 SQ FT
TOPSOIL EXCAVATION	19.5 SQ FT
TOPSOIL PLACEMENT	18.6 SQ FT

12 + 00.00



USER NAME = KyleVZ	DESIGNED - KVZ	REVISED -
	DRAWN - JBH	REVISED -
PLOT SCALE = 20.0000 ' / in.	CHECKED - JMY	REVISED -
PLOT DATE = 2/20/2024	DATE - 02/14/2024	REVISED -

STATE OF ILLINOIS
 DEPARTMENT OF TRANSPORTATION

CROSS SECTIONS
 GARY AVENUE

SCALE: 1"=10' SHEET OF SHEETS STA. 12+00.00 TO STA. 12+00.00

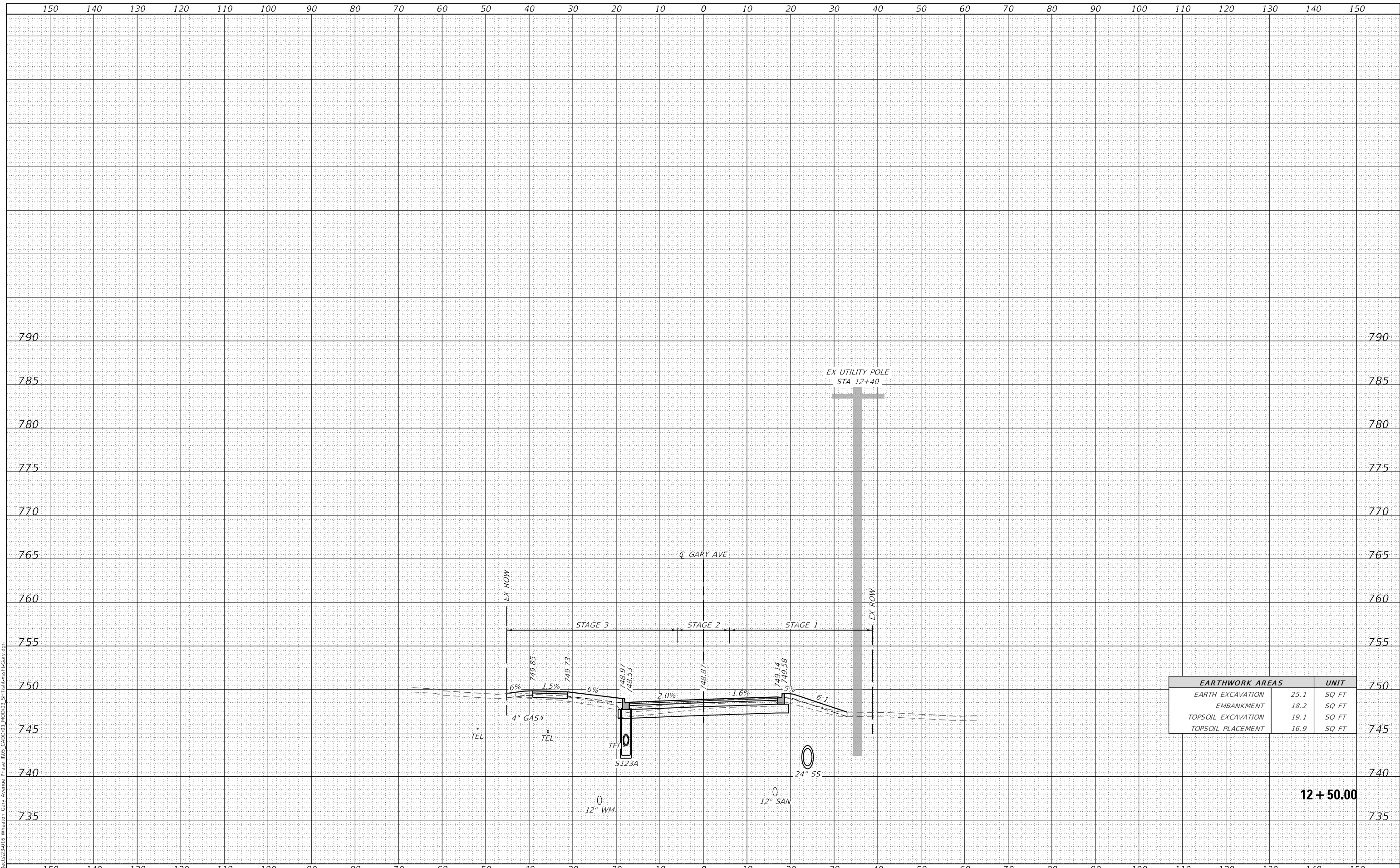
F.A.U. RTE.	SECTION	COUNTY	TOTAL SHEETS	SHEET NO.
2561	20-00123-00-PV	DUPAGE	257	205
CONTRACT NO. 61K32				

ILLINOIS FED. AID PROJECT

DATE	
BY	
FINAL SURVEY NO.	
SURVEYED PLOTTED	
NOTE BOOK TEMPLATE	
AREAS CHECKED	

DATE	
BY	
ORIGINAL SURVEY NO.	
SURVEYED PLOTTED	
NOTE BOOK TEMPLATE	
AREAS CHECKED	

MODEL: Default
 FILE NAME: T:\projects\23-016 Wheaton Gary Avenue Phase B\5_CADD\01_00\013_SHT\Sta-x-ss-Gary.dgn



EARTHWORK AREAS	UNIT
EARTH EXCAVATION	25.1 SQ FT
EMBANKMENT	18.2 SQ FT
TOPSOIL EXCAVATION	19.1 SQ FT
TOPSOIL PLACEMENT	16.9 SQ FT

12 + 50.00



USER NAME = KyleVZ	DESIGNED - KVZ	REVISED -
	DRAWN - JBH	REVISED -
PLOT SCALE = 20.0000 ' / in.	CHECKED - JMY	REVISED -
PLOT DATE = 2/20/2024	DATE - 02/14/2024	REVISED -

**STATE OF ILLINOIS
 DEPARTMENT OF TRANSPORTATION**

**CROSS SECTIONS
 GARY AVENUE**

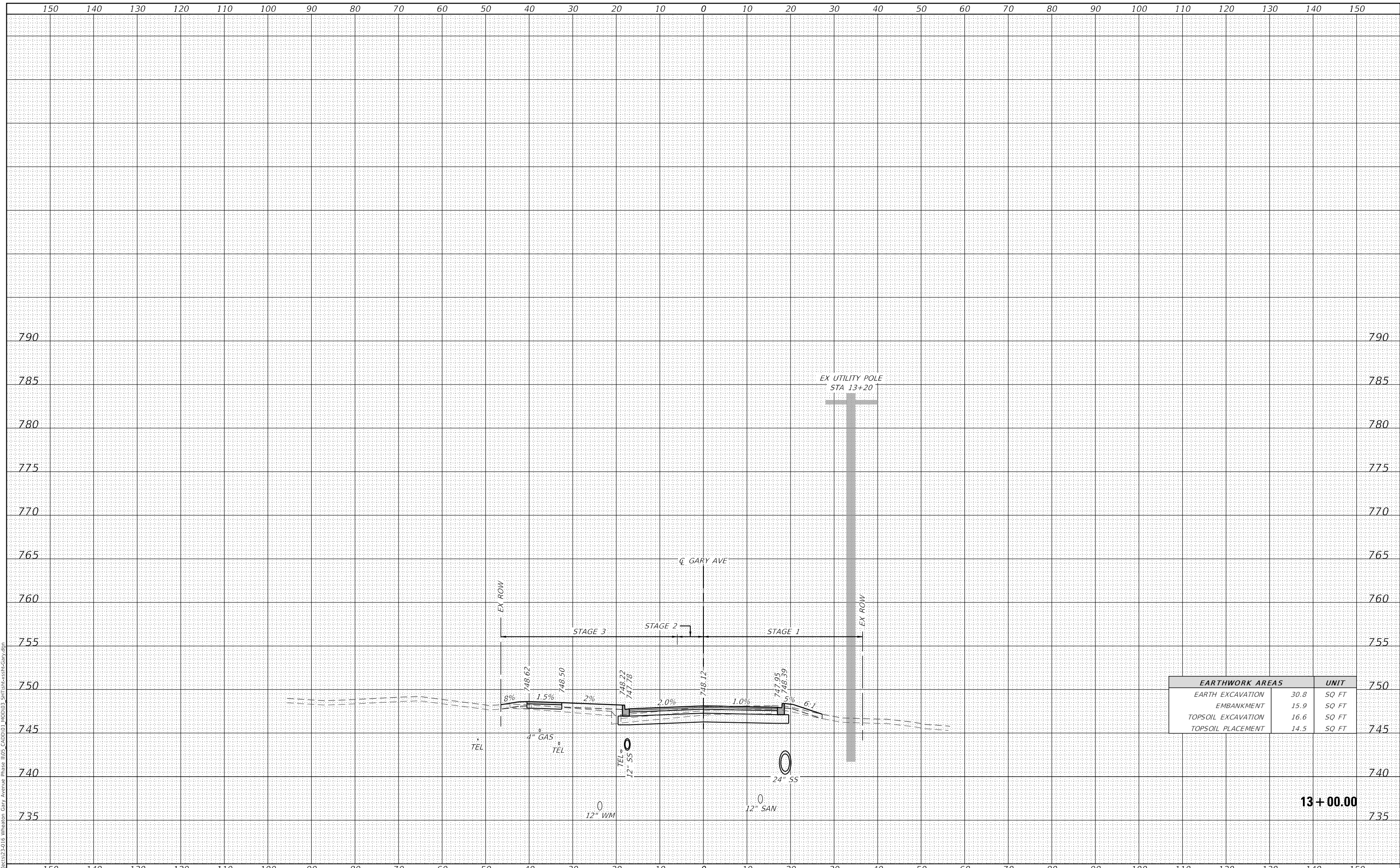
SCALE: 1"=10' SHEET OF SHEETS STA. 12+50.00 TO STA. 12+50.00

F.A.U. RTE.	SECTION	COUNTY	TOTAL SHEETS	SHEET NO.
2561	20-00123-00-PV	DUPAGE	257	206
CONTRACT NO. 61K32				
ILLINOIS FED. AID PROJECT				

FINAL SURVEY NO.	SURVEYED	DATE
NOTE BOOK	PLOTTED	
	TEMPLATE	
	AREAS CHECKED	

ORIGINAL SURVEY NO.	SURVEYED	DATE
NOTE BOOK	PLOTTED	
	TEMPLATE	
	AREAS CHECKED	

MODEL: Default
 FILE NAME: T:\projects\23-016 Wheaton Gary Avenue Phase B\5_CADD\01_00103_SHT\stn-x-ss16-gary.dgn



EARTHWORK AREAS	UNIT
EARTH EXCAVATION	30.8 SQ FT
EMBANKMENT	15.9 SQ FT
TOPSOIL EXCAVATION	16.6 SQ FT
TOPSOIL PLACEMENT	14.5 SQ FT



USER NAME = KyleVZ	DESIGNED - KVZ	REVISED -
	DRAWN - JBH	REVISED -
PLOT SCALE = 20.0000' / in.	CHECKED - JMY	REVISED -
PLOT DATE = 2/20/2024	DATE - 02/14/2024	REVISED -

STATE OF ILLINOIS
 DEPARTMENT OF TRANSPORTATION

CROSS SECTIONS
 GARY AVENUE

SCALE: 1"=10' SHEET OF SHEETS STA. 13+00.00 TO STA. 13+00.00

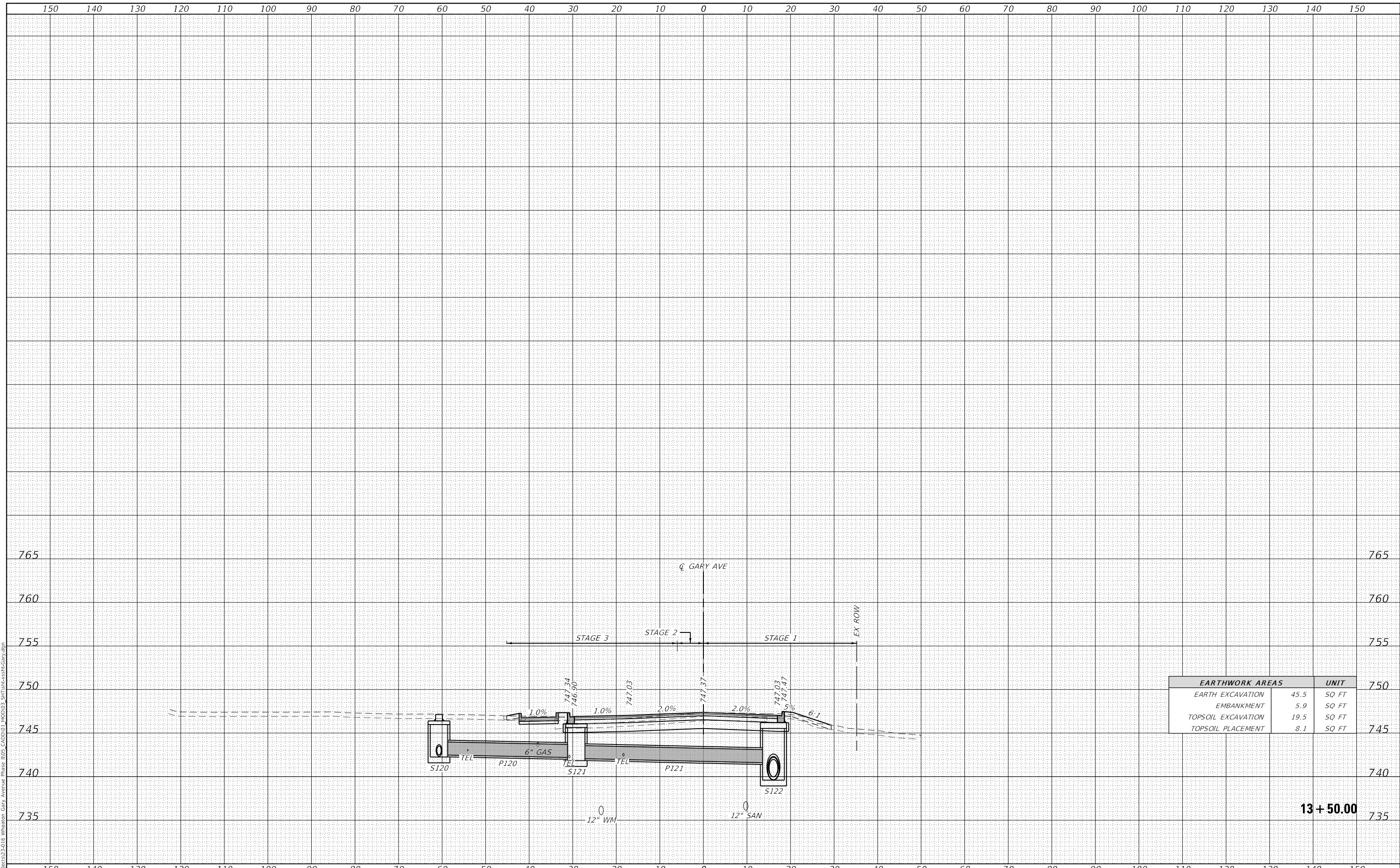
F.A.U. RTE.	SECTION	COUNTY	TOTAL SHEETS	SHEET NO.
2561	20-00123-00-PV	DUPAGE	257	207
CONTRACT NO. 61K32				

ILLINOIS FED. AID PROJECT

FINAL SURVEY NO.	SURVEYED	DATE
NOTE BOOK	PLOTTED	
	TEMPLATE	
	AREAS CHECKED	

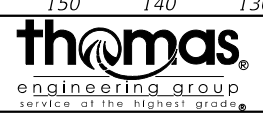
ORIGINAL SURVEY NO.	SURVEYED	DATE
NOTE BOOK	PLOTTED	
	TEMPLATE	
	AREAS CHECKED	

MODEL: Default
FILE NAME: T:\projects\23-016 Wheaton Gary Avenue Phase 1\05_CADD\01_00\0103_SHT\cst-gary.dgn



EARTHWORK AREAS	UNIT
EARTH EXCAVATION	45.5 SQ FT
EMBANKMENT	5.9 SQ FT
TOPSOIL EXCAVATION	19.5 SQ FT
TOPSOIL PLACEMENT	8.1 SQ FT

13 + 50.00



USER NAME = KyleVZ	DESIGNED - KVZ	REVISED -
	DRAWN - JBH	REVISED -
PLOT SCALE = 20.0000' / in.	CHECKED - JMY	REVISED -
PLOT DATE = 2/20/2024	DATE - 02/14/2024	REVISED -

STATE OF ILLINOIS
DEPARTMENT OF TRANSPORTATION

CROSS SECTIONS
GARY AVENUE

SCALE: 1"=10' SHEET OF SHEETS STA. 13+50.00 TO STA. 13+50.00

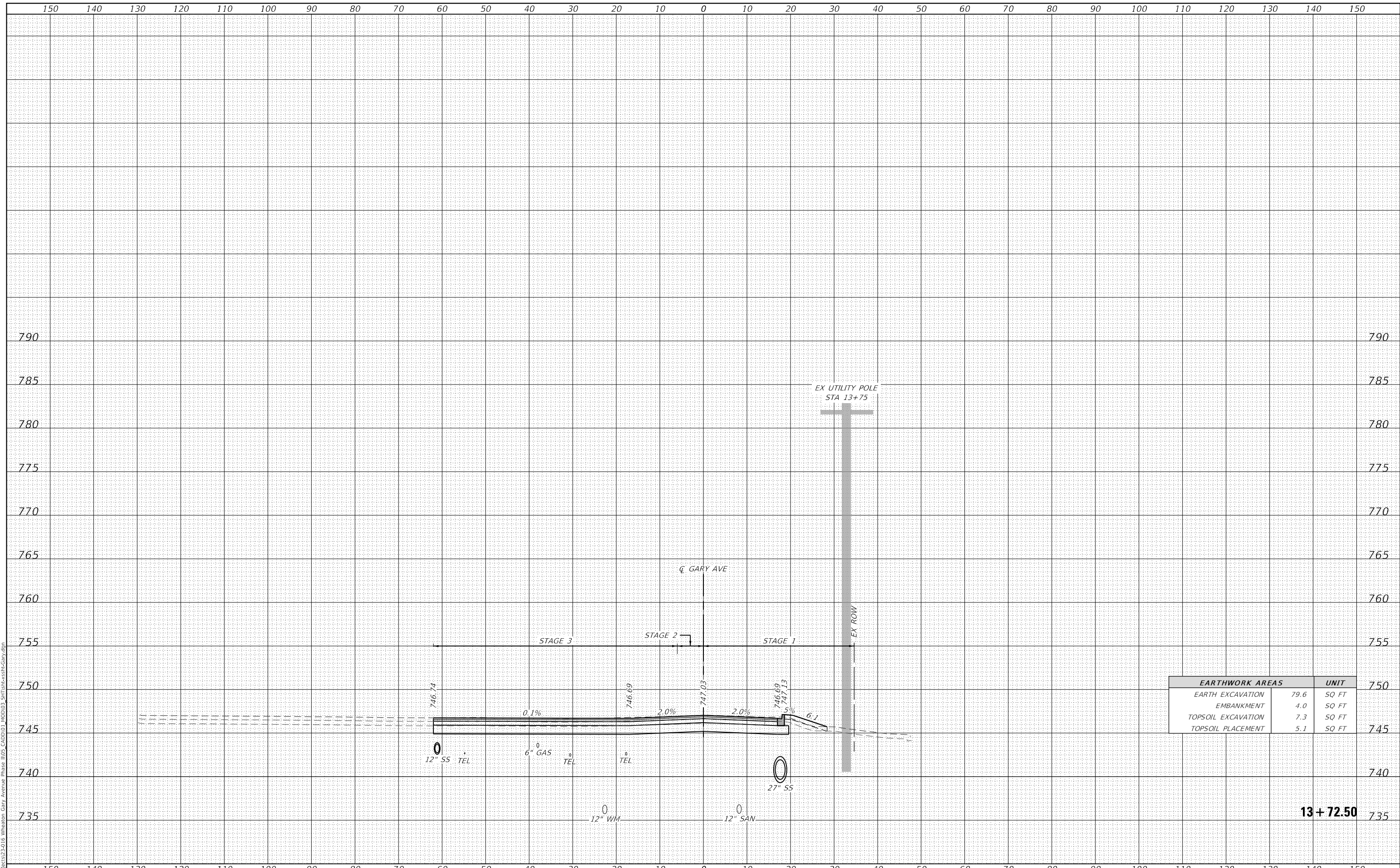
F.A.U. RTE.	SECTION	COUNTY	TOTAL SHEETS	SHEET NO.
2561	20-00123-00-PV	DUPAGE	257	208
CONTRACT NO. 61K32				

ILLINOIS FED. AID PROJECT

DATE	
BY	
FINAL SURVEY NO.	
SURVEYED NOTE BOOK	
PLOTTED TEMPLATE	
AREAS CHECKED	

DATE	
BY	
ORIGINAL SURVEY NO.	
SURVEYED NOTE BOOK	
PLOTTED TEMPLATE	
AREAS CHECKED	

MODEL: Definit
 FILE NAME: T:\projects\23-016 Wheaton Gary Avenue Phase 1\05_CADD\01_00\013_SHT\st-ss-13-gary.dgn



EARTHWORK AREAS	UNIT
EARTH EXCAVATION	79.6 SQ FT
EMBANKMENT	4.0 SQ FT
TOPSOIL EXCAVATION	7.3 SQ FT
TOPSOIL PLACEMENT	5.1 SQ FT

13 + 72.50



USER NAME = KyleVZ	DESIGNED - KVZ	REVISED -
	DRAWN - JBH	REVISED -
PLOT SCALE = 20.0000' / in.	CHECKED - JMY	REVISED -
PLOT DATE = 2/20/2024	DATE - 02/14/2024	REVISED -

**STATE OF ILLINOIS
 DEPARTMENT OF TRANSPORTATION**

**CROSS SECTIONS
 GARY AVENUE**

SCALE: 1"=10' SHEET OF SHEETS STA. 13+72.50 TO STA. 13+72.50

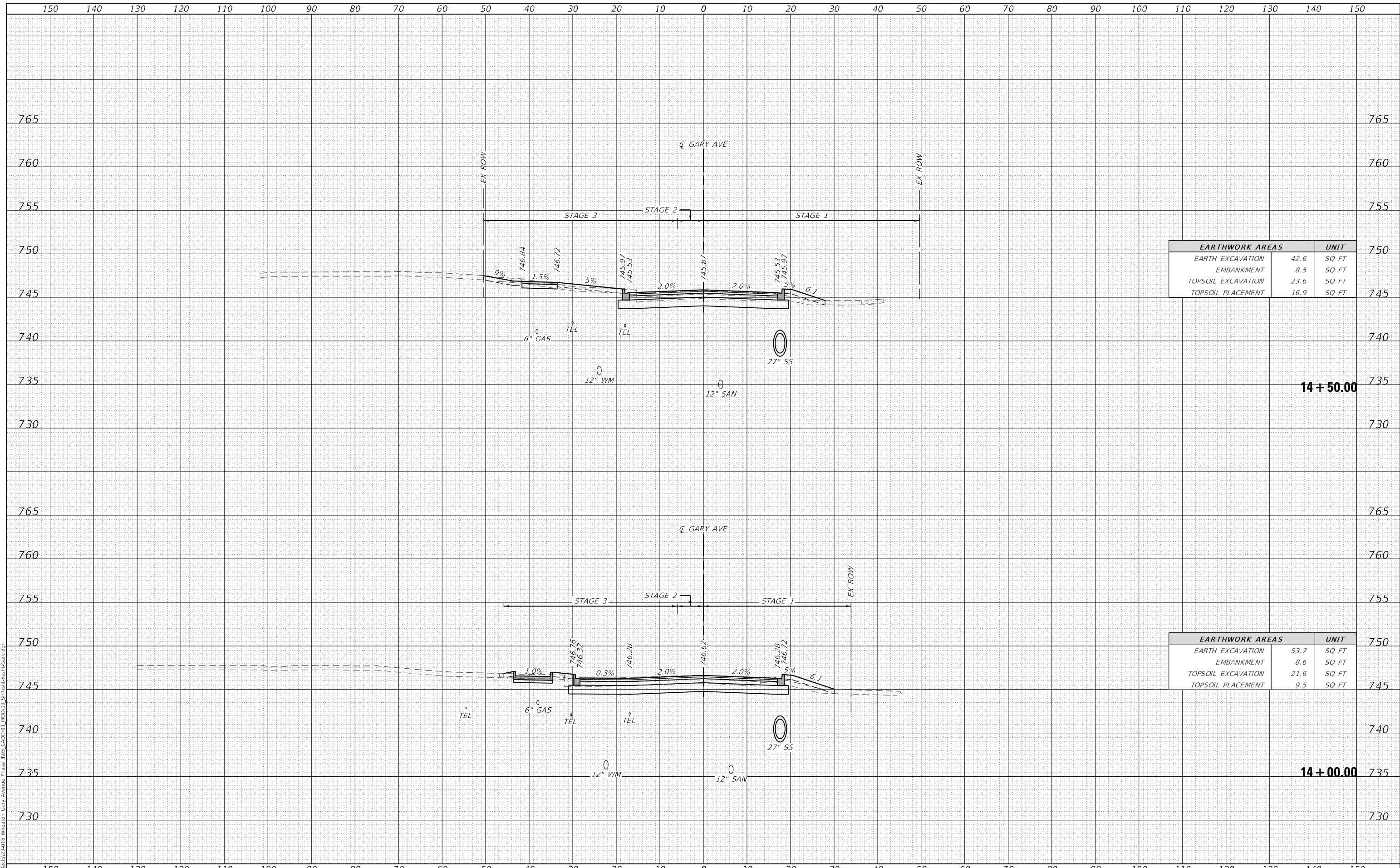
F.A.U. RTE.	SECTION	COUNTY	TOTAL SHEETS	SHEET NO.
2561	20-00123-00-PV	DUPAGE	257	209
CONTRACT NO. 61K32				

ILLINOIS FED. AID PROJECT

DATE	
BY	
FINAL SURVEY	SURVEYED
NOTE BOOK	PLOTTED
NO.	TEMPLATE
	AREAS CHECKED

DATE	
BY	
ORIGINAL SURVEY	SURVEYED
NOTE BOOK	PLOTTED
NO.	TEMPLATE
	AREAS CHECKED

MODEL: Definit
 FILE NAME: T:\Projects\23-016 Wheaton Gary Avenue\14+00.00\14+00.00_14+50.00_SHT\14+00.00-Gary.dgn



EARTHWORK AREAS		UNIT
EARTH EXCAVATION	42.6	SQ FT
EMBANKMENT	8.5	SQ FT
TOPSOIL EXCAVATION	23.6	SQ FT
TOPSOIL PLACEMENT	16.9	SQ FT

EARTHWORK AREAS		UNIT
EARTH EXCAVATION	53.7	SQ FT
EMBANKMENT	8.6	SQ FT
TOPSOIL EXCAVATION	21.6	SQ FT
TOPSOIL PLACEMENT	9.5	SQ FT



USER NAME = KyleVZ	DESIGNED - KVZ	REVISED -
	DRAWN - JBH	REVISED -
PLOT SCALE = 20.0000' / in.	CHECKED - JMY	REVISED -
PLOT DATE = 2/20/2024	DATE - 02/14/2024	REVISED -

STATE OF ILLINOIS
 DEPARTMENT OF TRANSPORTATION

CROSS SECTIONS
 GARY AVENUE

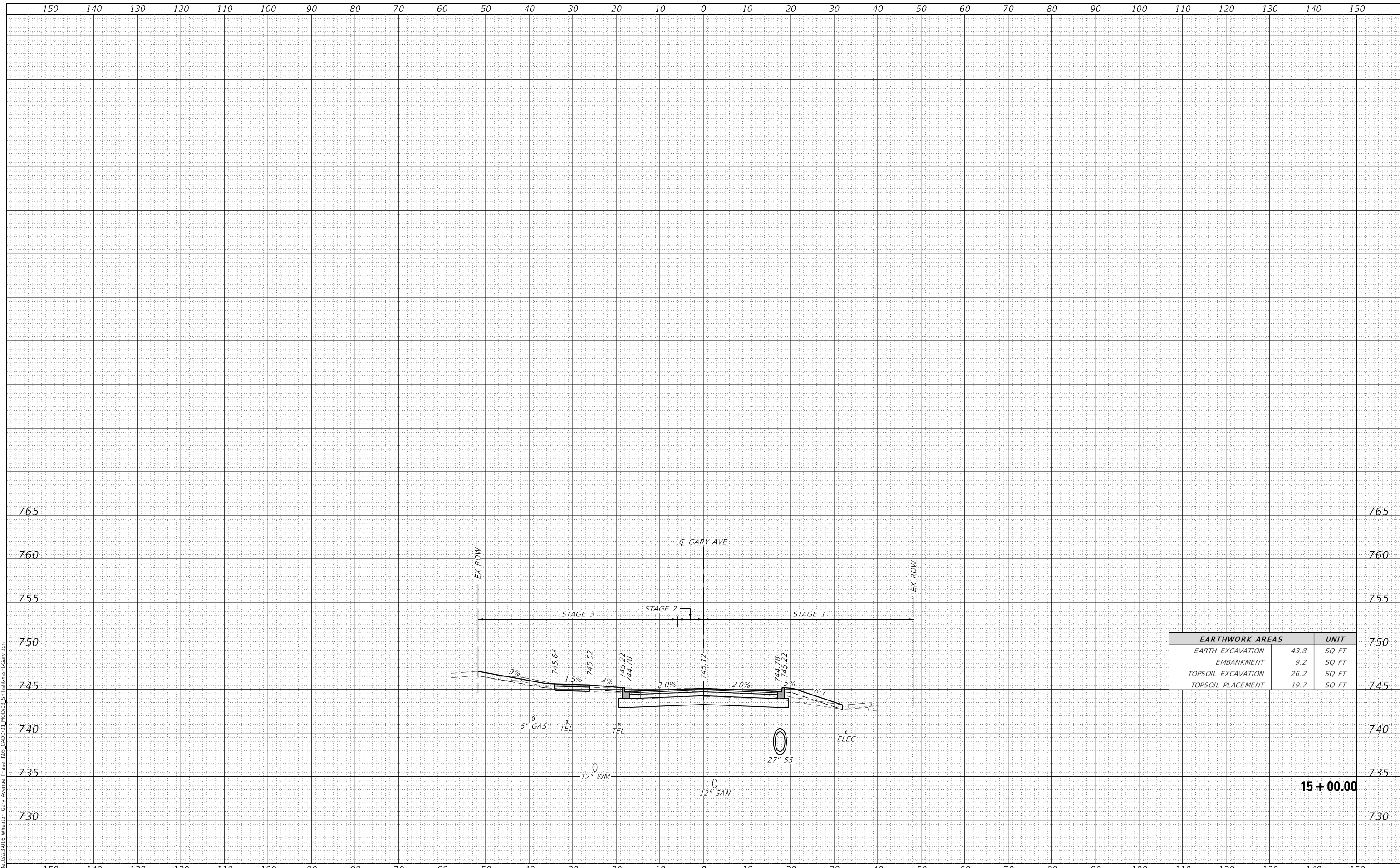
SCALE: 1"=10' SHEET OF SHEETS STA. 14+00.00 TO STA. 14+50.00

F.A.U. RTE.	SECTION	COUNTY	TOTAL SHEETS	SHEET NO.
2561	20-00123-00-PV	DUPAGE	257	210
CONTRACT NO. 61K32			ILLINOIS FED. AID PROJECT	

DATE	
BY	
SURVEYED	
PLOTTED	
TEMPLATE	
AREAS CHECKED	
FINAL SURVEY	
NOTE BOOK	
NO.	

DATE	
BY	
SURVEYED	
PLOTTED	
TEMPLATE	
AREAS CHECKED	
ORIGINAL SURVEY	
NOTE BOOK	
NO.	

MODEL: Default
 FILE NAME: T:\Projects\23-016 Wheaton Gary Avenue Phase 1\05_CADD\100103_SHT\cst-gary.dgn



EARTHWORK AREAS	UNIT
EARTH EXCAVATION	43.8 SQ FT
EMBANKMENT	9.2 SQ FT
TOPSOIL EXCAVATION	26.2 SQ FT
TOPSOIL PLACEMENT	19.7 SQ FT

15 + 00.00



USER NAME = KyleVZ	DESIGNED - KVZ	REVISED -
	DRAWN - JBH	REVISED -
PLOT SCALE = 20.0000 ' / in.	CHECKED - JMY	REVISED -
PLOT DATE = 2/20/2024	DATE - 02/14/2024	REVISED -

STATE OF ILLINOIS
 DEPARTMENT OF TRANSPORTATION

CROSS SECTIONS
 GARY AVENUE

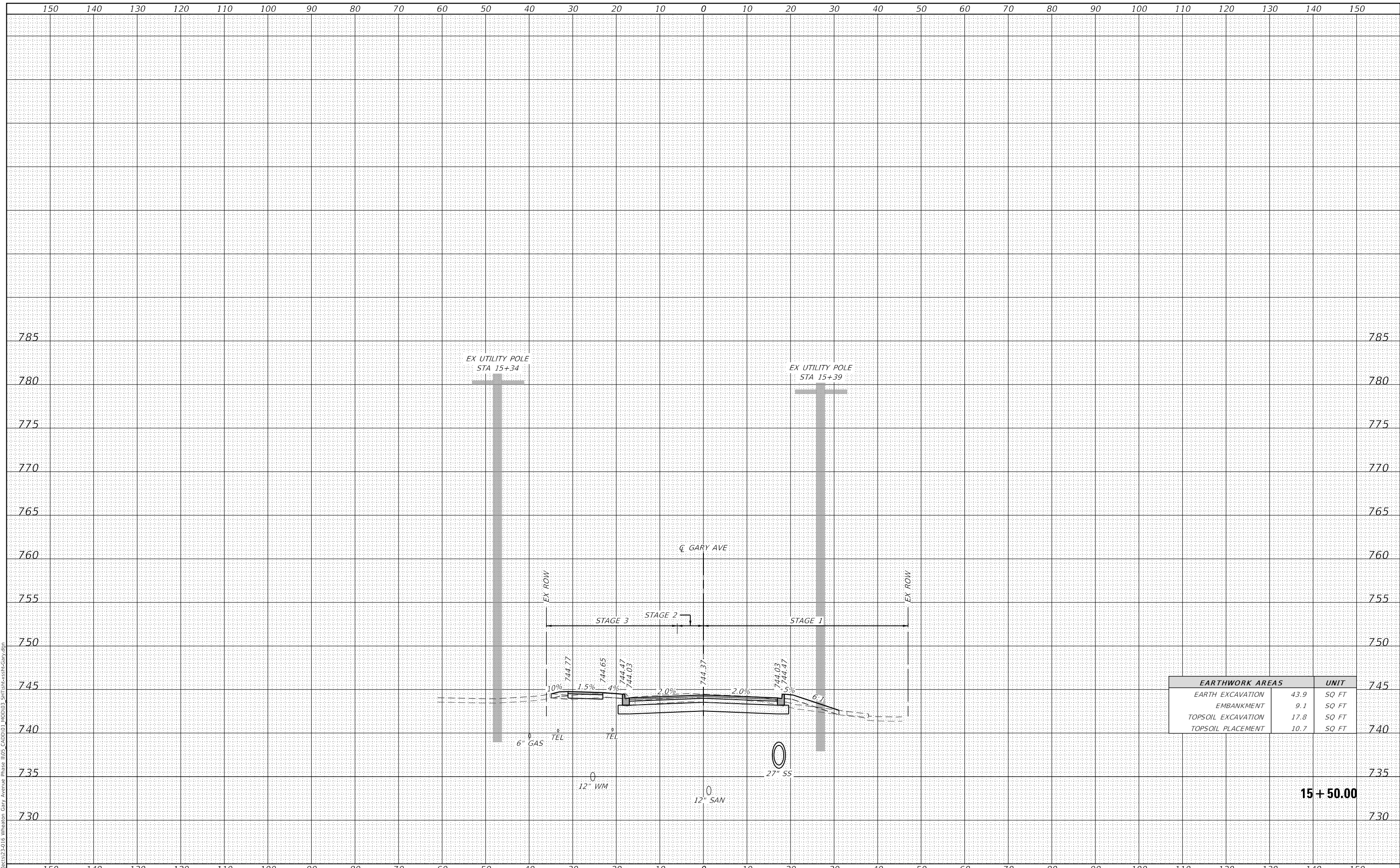
SCALE: 1"=10' SHEET OF SHEETS STA. 15+00.00 TO STA. 15+00.00

F.A.U. RTE.	SECTION	COUNTY	TOTAL SHEETS	SHEET NO.
2561	20-00123-00-PV	DUPAGE	257	211
CONTRACT NO. 61K32				
ILLINOIS FED. AID PROJECT				

DATE	
BY	
FINAL SURVEY	SURVEYED
NOTE BOOK	PLOTTED
NO.	TEMPLATE
	AREAS CHECKED

DATE	
BY	
ORIGINAL SURVEY	SURVEYED
NOTE BOOK	PLOTTED
NO.	TEMPLATE
	AREAS CHECKED

MODEL: Default
 FILE NAME: T:\Projects\23-016 Wheaton Gary Avenue Phase 105_CADD\105_CADD\3_SHT\cst-gary.dgn



EARTHWORK AREAS	UNIT
EARTH EXCAVATION	43.9 SQ FT
EMBANKMENT	9.1 SQ FT
TOPSOIL EXCAVATION	17.8 SQ FT
TOPSOIL PLACEMENT	10.7 SQ FT

15 + 50.00



USER NAME = KyleVZ	DESIGNED - KVZ	REVISED -
	DRAWN - JBH	REVISED -
PLOT SCALE = 20.0000' / in.	CHECKED - JMY	REVISED -
PLOT DATE = 2/20/2024	DATE - 02/14/2024	REVISED -

**STATE OF ILLINOIS
 DEPARTMENT OF TRANSPORTATION**

**CROSS SECTIONS
 GARY AVENUE**

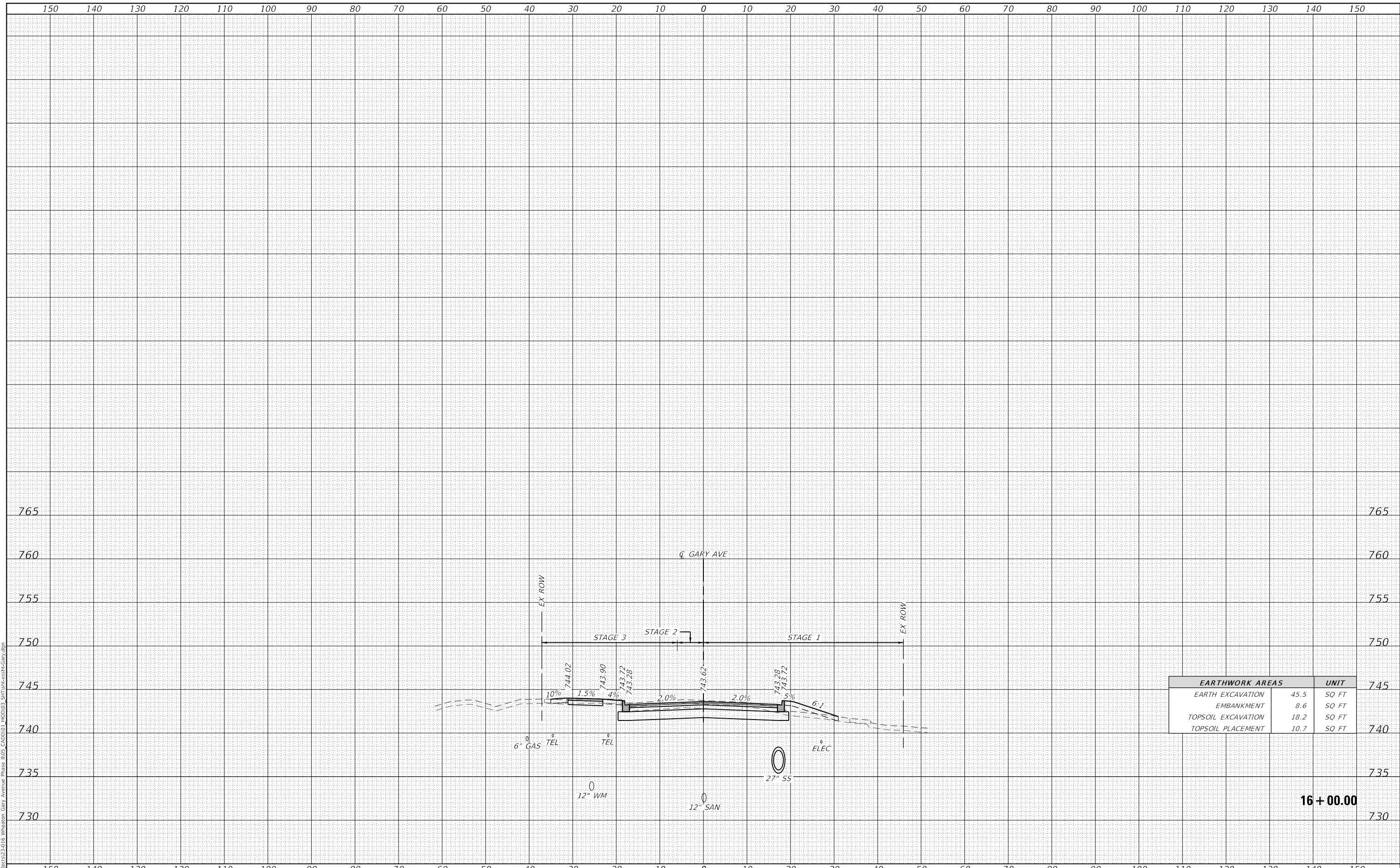
SCALE: 1"=10' SHEET OF SHEETS STA. 15+50.00 TO STA. 15+50.00

F.A.U. RTE.	SECTION	COUNTY	TOTAL SHEETS	SHEET NO.
2561	20-00123-00-PV	DUPAGE	257	212
CONTRACT NO. 61K32				
ILLINOIS FED. AID PROJECT				

DATE	
BY	
FINAL SURVEY	SURVEYED
NOTE BOOK	PLOTTED
NO.	TEMPLATE
	AREAS CHECKED

DATE	
BY	
ORIGINAL SURVEY	SURVEYED
NOTE BOOK	PLOTTED
NO.	TEMPLATE
	AREAS CHECKED

MODEL: Default
 FILE NAME: T:\projects\23-016 Wheaton Gary Avenue Phase 1\05_CADD\01_00\013_SHT\st-x-site-Gary.dgn



EARTHWORK AREAS	UNIT
EARTH EXCAVATION	45.5 SQ FT
EMBANKMENT	8.6 SQ FT
TOPSOIL EXCAVATION	18.2 SQ FT
TOPSOIL PLACEMENT	10.7 SQ FT



USER NAME = KyleVZ	DESIGNED - KVZ	REVISED -
	DRAWN - JBH	REVISED -
PLOT SCALE = 20.0000' / in.	CHECKED - JMY	REVISED -
PLOT DATE = 2/20/2024	DATE - 02/14/2024	REVISED -

STATE OF ILLINOIS
 DEPARTMENT OF TRANSPORTATION

CROSS SECTIONS
 GARY AVENUE

SCALE: 1"=10' SHEET OF SHEETS STA. 16+00.00 TO STA. 16+00.00

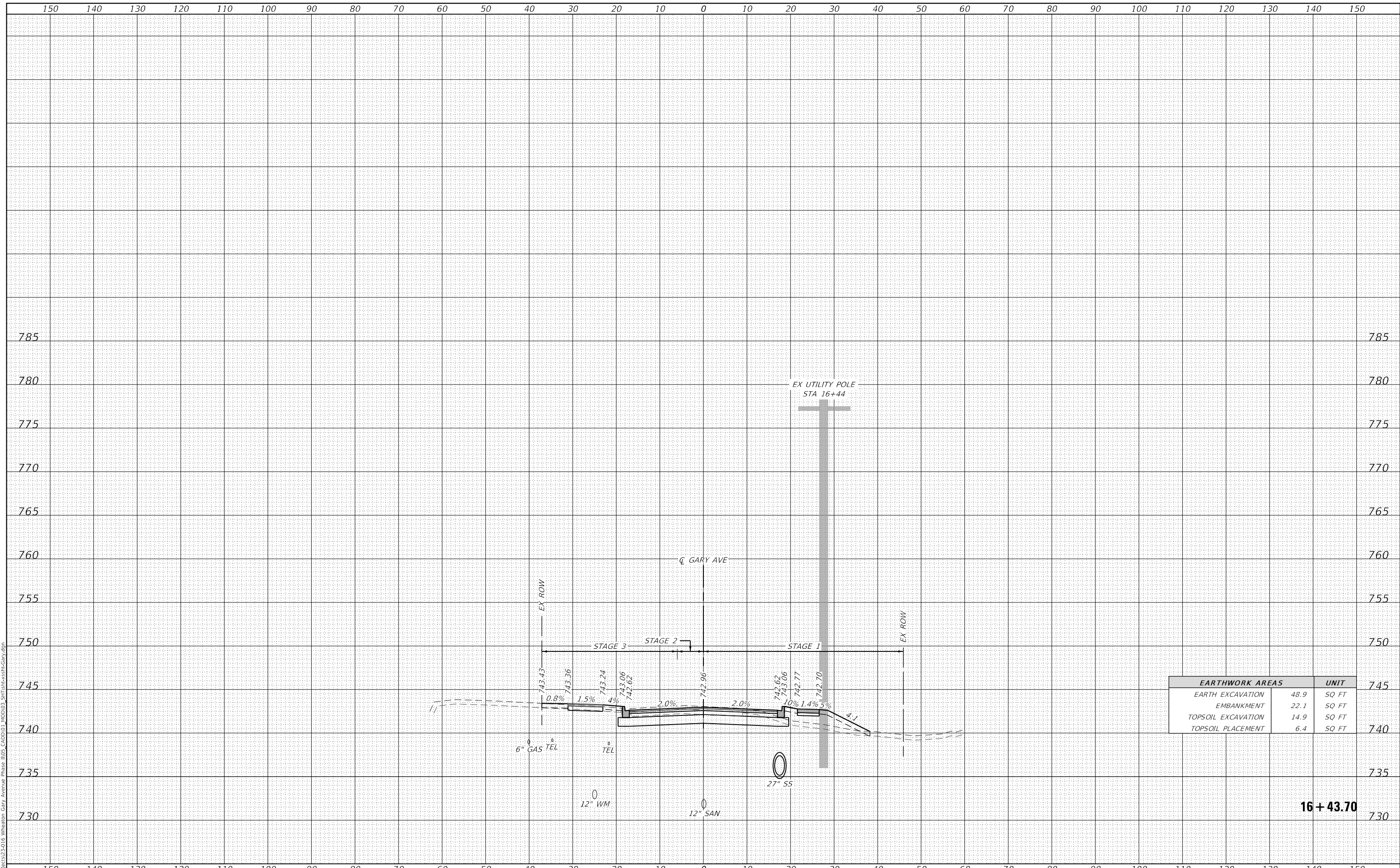
F.A.U. RTE.	SECTION	COUNTY	TOTAL SHEETS	SHEET NO.
2561	20-00123-00-PV	DUPAGE	257	213
CONTRACT NO. 61K32				

ILLINOIS FED. AID PROJECT

DATE	
BY	
FINAL SURVEY NO.	
SURVEYED	
PLOTTED	
TEMPLATE	
AREAS CHECKED	

DATE	
BY	
ORIGINAL SURVEY NO.	
SURVEYED	
PLOTTED	
TEMPLATE	
AREAS CHECKED	

MODEL: Default
 FILE NAME: T:\Projects\23-016 Wheaton Gary Avenue Phase B\IS_CADD\01_100103_SHT\st-x-sslt-Gary.dgn



EARTHWORK AREAS	UNIT
EARTH EXCAVATION	48.9 SQ FT
EMBANKMENT	22.1 SQ FT
TOPSOIL EXCAVATION	14.9 SQ FT
TOPSOIL PLACEMENT	6.4 SQ FT



USER NAME = KyleVZ	DESIGNED - KVZ	REVISED -
	DRAWN - JBH	REVISED -
PLOT SCALE = 20.0000' / in.	CHECKED - JMY	REVISED -
PLOT DATE = 2/20/2024	DATE - 02/14/2024	REVISED -

STATE OF ILLINOIS
 DEPARTMENT OF TRANSPORTATION

CROSS SECTIONS
 GARY AVENUE

SCALE: 1"=10' SHEET OF SHEETS STA. 16+43.70 TO STA. 16+43.70

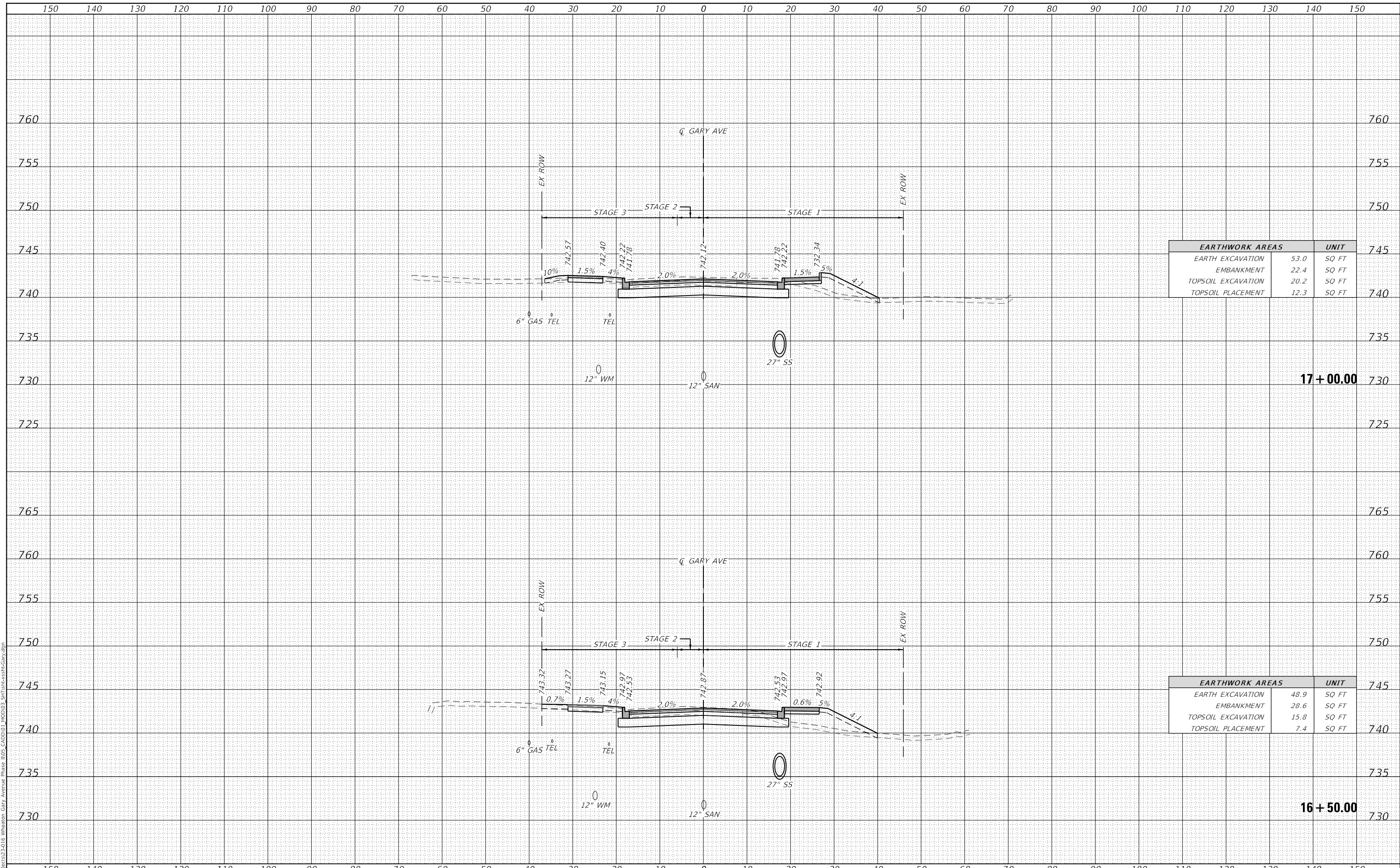
F.A.U. RTE.	SECTION	COUNTY	TOTAL SHEETS	SHEET NO.
2561	20-00123-00-PV	DUPAGE	257	214
CONTRACT NO. 61K32				

ILLINOIS FED. AID PROJECT

DATE	
BY	
SURVEYED	
PLOTTED	
TEMPLATE	
AREAS CHECKED	
FINAL SURVEY	
NOTE BOOK	
NO.	

DATE	
BY	
SURVEYED	
PLOTTED	
TEMPLATE	
AREAS CHECKED	
ORIGINAL SURVEY	
NOTE BOOK	
NO.	

MODEL: Definit
 FILE NAME: T:\Projects\23-016 Wheaton Gary Avenue Phase B\IS_CADD\1_00\03_SHT\st-x-ss-Gary.dgn



EARTHWORK AREAS		UNIT
EARTH EXCAVATION	53.0	SQ FT
EMBANKMENT	22.4	SQ FT
TOPSOIL EXCAVATION	20.2	SQ FT
TOPSOIL PLACEMENT	12.3	SQ FT

EARTHWORK AREAS		UNIT
EARTH EXCAVATION	48.9	SQ FT
EMBANKMENT	28.6	SQ FT
TOPSOIL EXCAVATION	15.8	SQ FT
TOPSOIL PLACEMENT	7.4	SQ FT



USER NAME = KyleVZ	DESIGNED - KVZ	REVISED -
	DRAWN - JBH	REVISED -
PLOT SCALE = 20.0000' / in.	CHECKED - JMY	REVISED -
PLOT DATE = 2/20/2024	DATE - 02/14/2024	REVISED -

STATE OF ILLINOIS
 DEPARTMENT OF TRANSPORTATION

CROSS SECTIONS
 GARY AVENUE

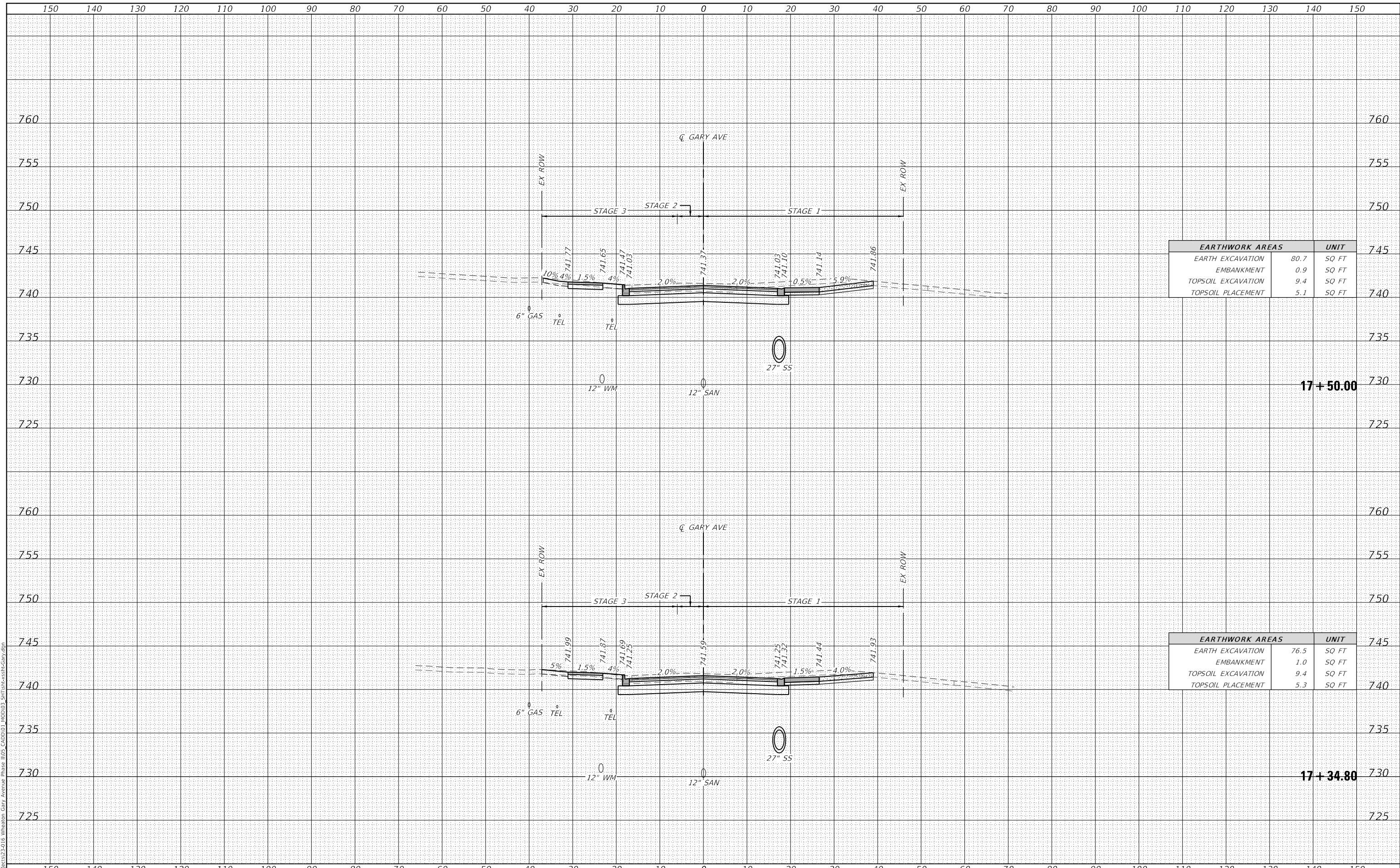
SCALE: 1"=10' SHEET OF SHEETS STA. 16+50.00 TO STA. 17+00.00

F.A.U. RTE.	SECTION	COUNTY	TOTAL SHEETS	SHEET NO.
2561	20-00123-00-PV	DUPAGE	257	215
				CONTRACT NO. 61K32
				ILLINOIS FED. AID PROJECT

DATE	
BY	
SURVEYED	
PLOTTED	
TEMPLATE	
AREAS CHECKED	
FINAL SURVEY	
NOTE BOOK	
NO.	

DATE	
BY	
SURVEYED	
PLOTTED	
TEMPLATE	
AREAS CHECKED	
ORIGINAL SURVEY	
NOTE BOOK	
NO.	

MODEL: Definit
 FILE NAME: T:\Projects\23-016 Wheaton Gary Avenue Phase B\55_CADD\01_00103_SHT\Bt-x-ss-Gary.dgn



EARTHWORK AREAS		UNIT
EARTH EXCAVATION	80.7	SQ FT
EMBANKMENT	0.9	SQ FT
TOPSOIL EXCAVATION	9.4	SQ FT
TOPSOIL PLACEMENT	5.1	SQ FT

EARTHWORK AREAS		UNIT
EARTH EXCAVATION	76.5	SQ FT
EMBANKMENT	1.0	SQ FT
TOPSOIL EXCAVATION	9.4	SQ FT
TOPSOIL PLACEMENT	5.3	SQ FT



USER NAME = KyleVZ	DESIGNED - KVZ	REVISED -
	DRAWN - JBH	REVISED -
PLOT SCALE = 20.0000 ' / in.	CHECKED - JMY	REVISED -
PLOT DATE = 2/20/2024	DATE - 02/14/2024	REVISED -

**STATE OF ILLINOIS
 DEPARTMENT OF TRANSPORTATION**

**CROSS SECTIONS
 GARY AVENUE**

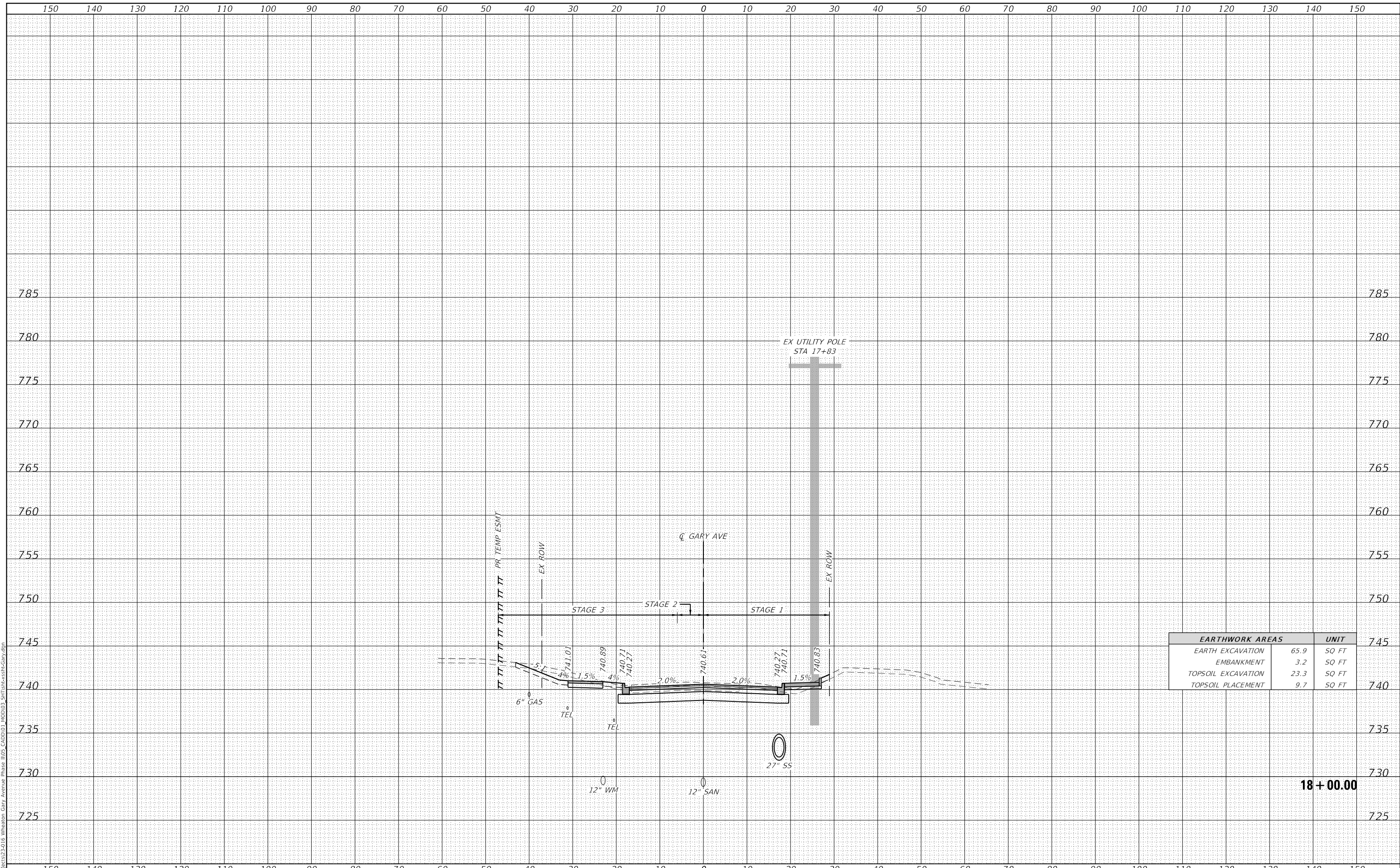
SCALE: 1"=10' SHEET OF SHEETS STA. 17+34.80 TO STA. 17+50.00

F.A.U. RTE.	SECTION	COUNTY	TOTAL SHEETS	SHEET NO.
2561	20-00123-00-PV	DUPAGE	257	216
			CONTRACT NO. 61K32	
		ILLINOIS	FED. AID PROJECT	

DATE	
BY	
SURVEYED	
PLOTTED	
TEMPLATE	
AREAS CHECKED	
FINAL SURVEY NO.	
NOTE BOOK NO.	
AREAS CHECKED	

DATE	
BY	
SURVEYED	
PLOTTED	
TEMPLATE	
AREAS CHECKED	
ORIGINAL SURVEY NO.	
NOTE BOOK NO.	
AREAS CHECKED	

MODEL: Default
 FILE NAME: T:\Projects\23-016 Wheaton Gary Avenue Phase 105_CADD\105_CADD\3_SHT\18+00-Gary.dgn



EARTHWORK AREAS	UNIT
EARTH EXCAVATION	65.9 SQ FT
EMBANKMENT	3.2 SQ FT
TOPSOIL EXCAVATION	23.3 SQ FT
TOPSOIL PLACEMENT	9.7 SQ FT

18 + 00.00



USER NAME = KyleVZ	DESIGNED - KVZ	REVISED -
	DRAWN - JBH	REVISED -
PLOT SCALE = 20.0000 ' / in.	CHECKED - JMY	REVISED -
PLOT DATE = 2/20/2024	DATE - 02/14/2024	REVISED -

**STATE OF ILLINOIS
 DEPARTMENT OF TRANSPORTATION**

**CROSS SECTIONS
 GARY AVENUE**

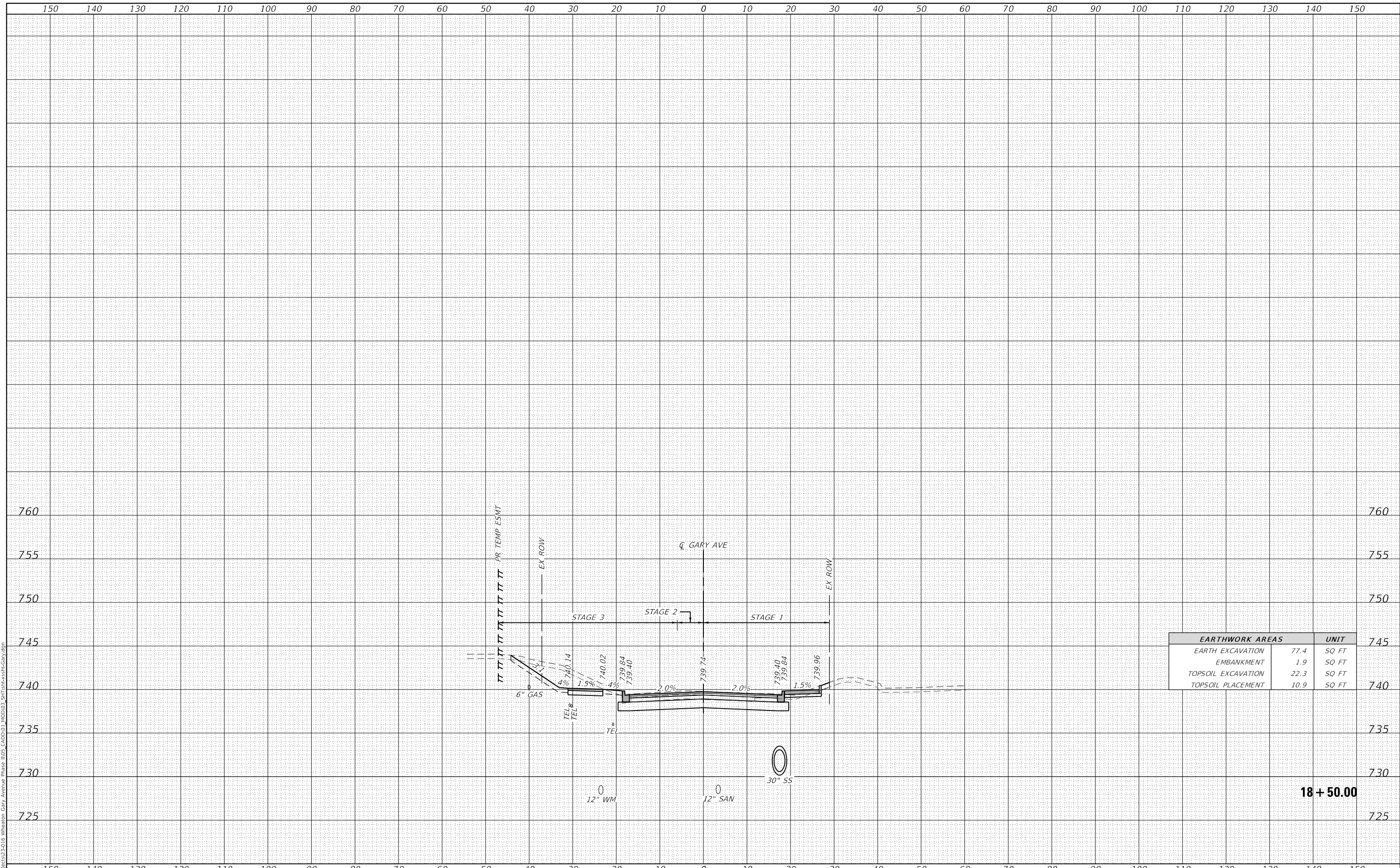
SCALE: 1"=10' SHEET OF SHEETS STA. 18+00.00 TO STA. 18+00.00

F.A.U. RTE.	SECTION	COUNTY	TOTAL SHEETS	SHEET NO.
2561	20-00123-00-PV	DUPAGE	257	217
CONTRACT NO. 61K32			ILLINOIS FED. AID PROJECT	

DATE	
BY	
SURVEYED	
PLOTTED	
TEMPLATE	
AREAS CHECKED	
FINAL SURVEY	
NOTE BOOK	
NO.	

DATE	
BY	
SURVEYED	
PLOTTED	
TEMPLATE	
AREAS CHECKED	
ORIGINAL SURVEY	
NOTE BOOK	
NO.	

MODEL: Default
 FILE NAME: T:\Projects\23-016 Wheaton Gary Avenue Phase 1\05_CADD\01_POD\03_SHT\cst-gary.dgn



EARTHWORK AREAS	UNIT
EARTH EXCAVATION	77.4 SQ FT
EMBANKMENT	1.9 SQ FT
TOPSOIL EXCAVATION	22.3 SQ FT
TOPSOIL PLACEMENT	10.9 SQ FT

18 + 50.00



USER NAME = KyleVZ	DESIGNED - KVZ	REVISED -
	DRAWN - JBH	REVISED -
PLOT SCALE = 20.0000' / in.	CHECKED - JMY	REVISED -
PLOT DATE = 2/20/2024	DATE - 02/14/2024	REVISED -

STATE OF ILLINOIS
 DEPARTMENT OF TRANSPORTATION

CROSS SECTIONS
 GARY AVENUE

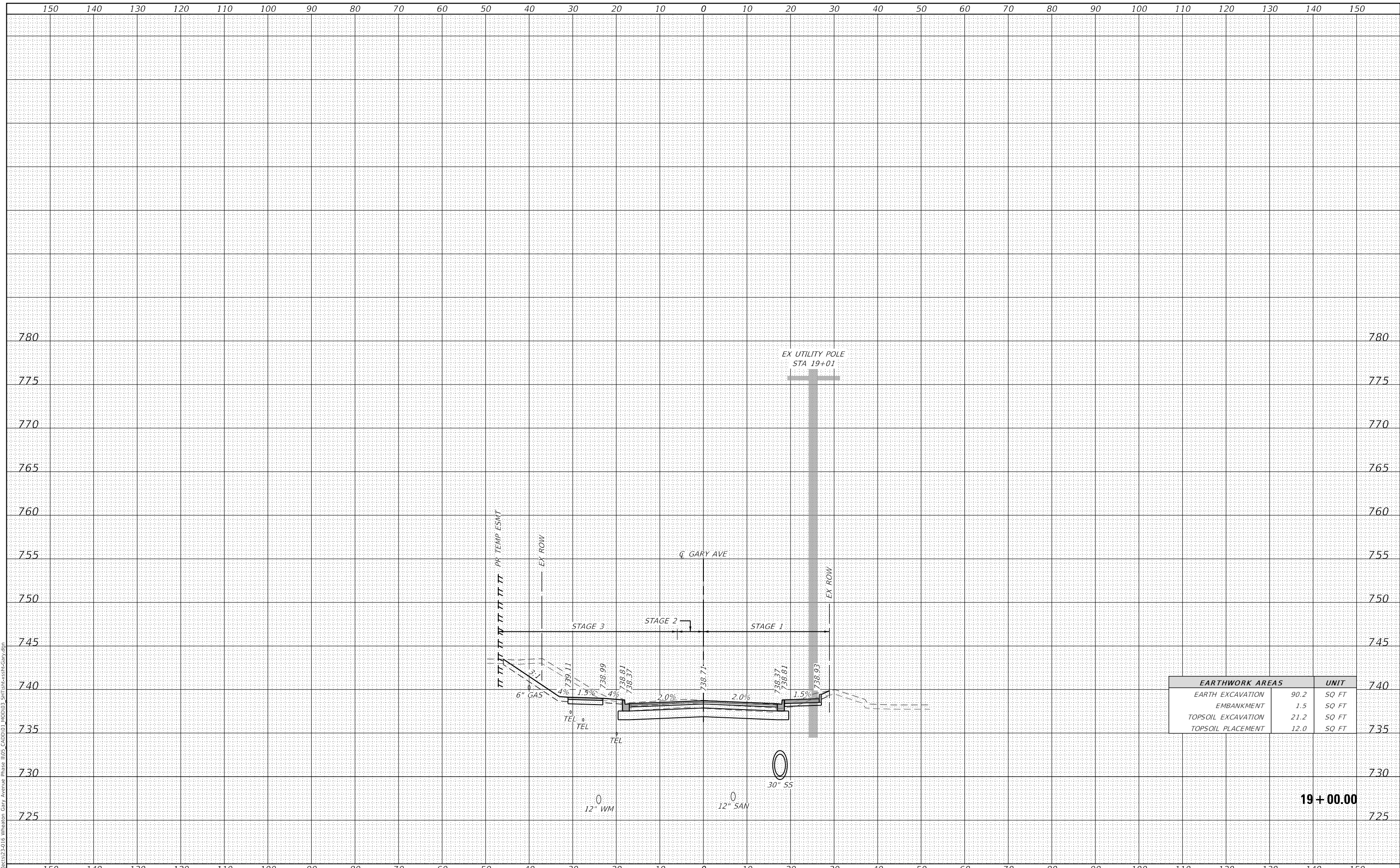
SCALE: 1"=10' SHEET OF SHEETS STA. 18+50.00 TO STA. 18+50.00

F.A.U. RTE.	SECTION	COUNTY	TOTAL SHEETS	SHEET NO.
2561	20-00123-00-PV	DUPAGE	257	218
CONTRACT NO. 61K32				
ILLINOIS FED. AID PROJECT				

DATE	
BY	
FINAL SURVEY NO.	
SURVEYED PLOTTED AREAS CHECKED	
NOTE BOOK	
TEMPLATE	
AREAS CHECKED	

DATE	
BY	
ORIGINAL SURVEY NO.	
SURVEYED PLOTTED AREAS CHECKED	
NOTE BOOK	
TEMPLATE	
AREAS CHECKED	

MODEL: Default
 FILE NAME: T:\projects\23-016 Wheaton Gary Avenue Phase 105_CADD\01_105\013_SHT\cst-gary.dgn



EARTHWORK AREAS	UNIT
EARTH EXCAVATION	90.2 SQ FT
EMBANKMENT	1.5 SQ FT
TOPSOIL EXCAVATION	21.2 SQ FT
TOPSOIL PLACEMENT	12.0 SQ FT



USER NAME = KyleVZ	DESIGNED - KVZ	REVISED -
	DRAWN - JBH	REVISED -
PLOT SCALE = 20.0000 ' / in.	CHECKED - JMY	REVISED -
PLOT DATE = 2/20/2024	DATE - 02/14/2024	REVISED -

**STATE OF ILLINOIS
DEPARTMENT OF TRANSPORTATION**

**CROSS SECTIONS
GARY AVENUE**

SCALE: 1"=10' SHEET OF SHEETS STA. 19+00.00 TO STA. 19+00.00

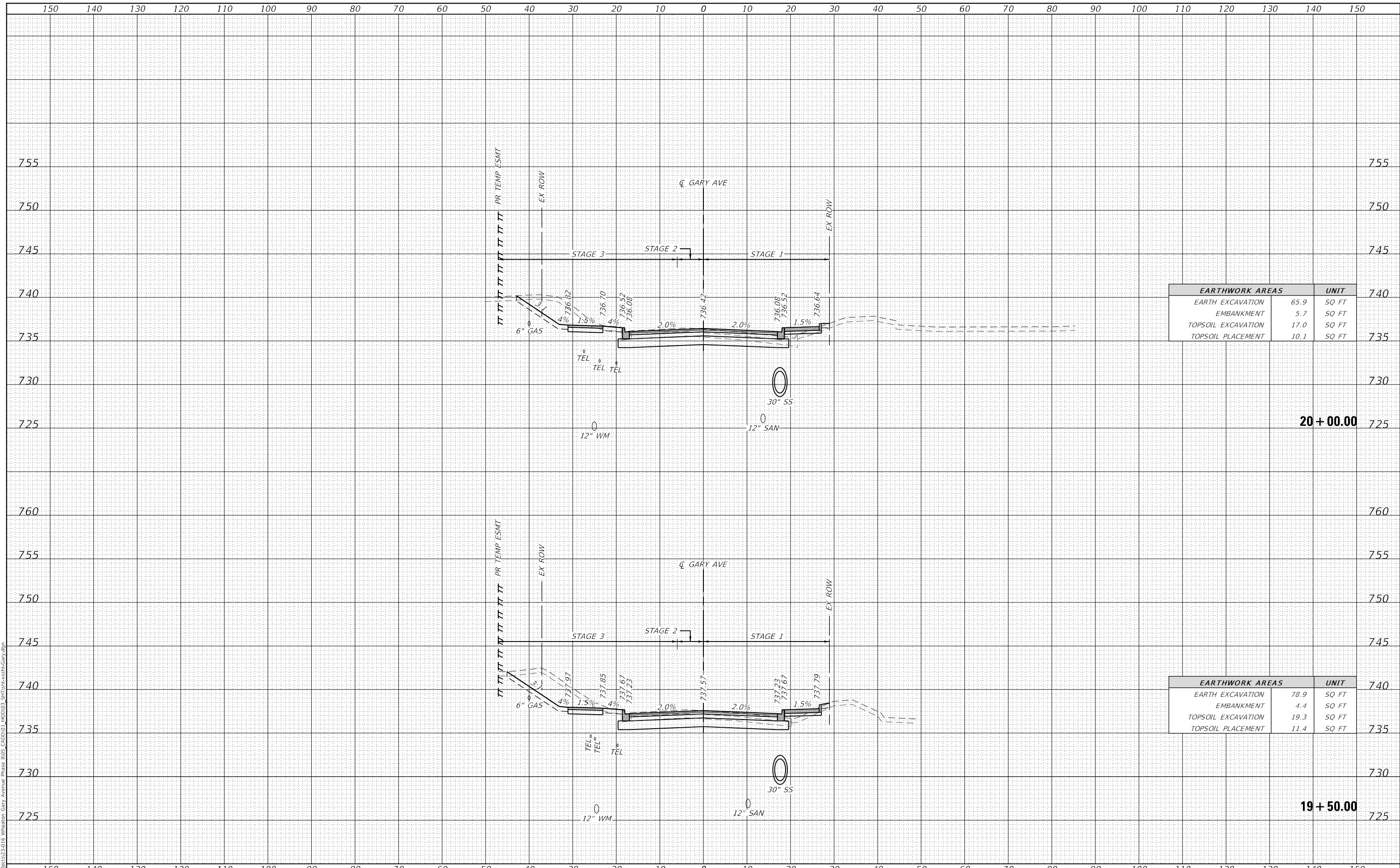
F.A.U. RTE.	SECTION	COUNTY	TOTAL SHEETS	SHEET NO.
2561	20-00123-00-PV	DUPAGE	257	219
CONTRACT NO. 61K32				
ILLINOIS		FED. AID PROJECT		

19 + 00.00

DATE	
BY	
SURVEYED	
PLOTTED	
TEMPLATE	
NOTE BOOK	
AREAS CHECKED	
NO.	

DATE	
BY	
SURVEYED	
PLOTTED	
TEMPLATE	
NOTE BOOK	
AREAS CHECKED	
NO.	

MODEL: Default
 FILE NAME: T:\Projects\20-0123-00-16 Wheaton Gary Avenue Phase 1\05_CADD\01_POD\03_SHT\st-ss-16-Gary.dgn



EARTHWORK AREAS	UNIT
EARTH EXCAVATION	65.9 SQ FT
EMBANKMENT	5.7 SQ FT
TOPSOIL EXCAVATION	17.0 SQ FT
TOPSOIL PLACEMENT	10.1 SQ FT

EARTHWORK AREAS	UNIT
EARTH EXCAVATION	78.9 SQ FT
EMBANKMENT	4.4 SQ FT
TOPSOIL EXCAVATION	19.3 SQ FT
TOPSOIL PLACEMENT	11.4 SQ FT



USER NAME = KyleVZ	DESIGNED - KVZ	REVISED -
	DRAWN - JBH	REVISED -
PLOT SCALE = 20.0000' / in.	CHECKED - JMY	REVISED -
PLOT DATE = 2/20/2024	DATE - 02/14/2024	REVISED -

STATE OF ILLINOIS
 DEPARTMENT OF TRANSPORTATION

CROSS SECTIONS
 GARY AVENUE

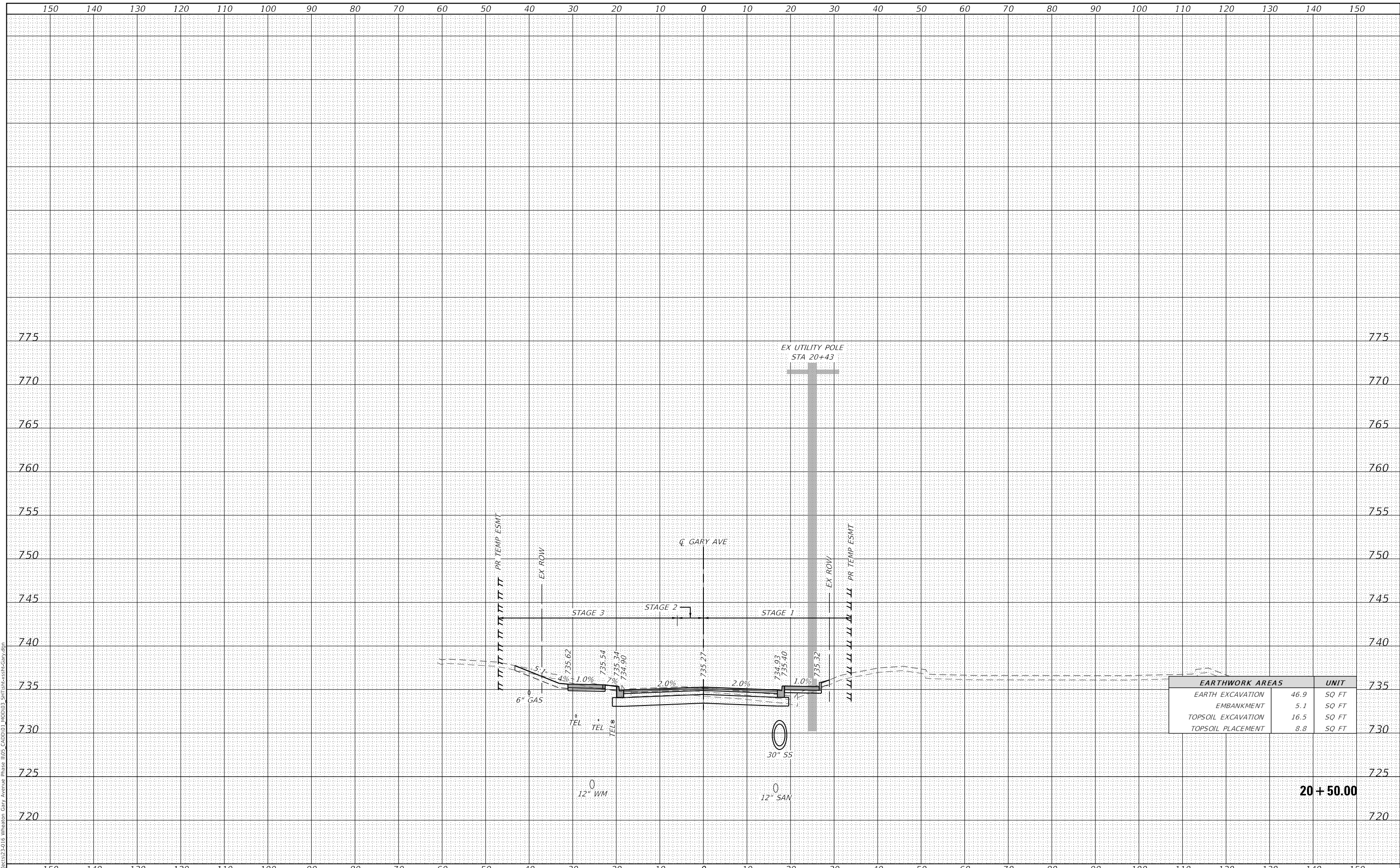
SCALE: 1"=10' SHEET OF SHEETS STA. 19+50.00 TO STA. 20+00.00

F.A.U. RTE.	SECTION	COUNTY	TOTAL SHEETS	SHEET NO.
2561	20-00123-00-PV	DUPAGE	257	220
CONTRACT NO. 61K32			ILLINOIS FED. AID PROJECT	

DATE	
BY	
FINAL SURVEY	SURVEYED
NOTE BOOK	PLOTTED
NO.	TEMPLATE
	AREAS CHECKED

DATE	
BY	
ORIGINAL SURVEY	SURVEYED
NOTE BOOK	PLOTTED
NO.	TEMPLATE
	AREAS CHECKED

MODEL: Default
 FILE NAME: T:\projects\23-016 Wheaton Gary Avenue Phase 105_CADD\1050103_SHT\st-ss-gary.dgn



EARTHWORK AREAS	UNIT
EARTH EXCAVATION	46.9 SQ FT
EMBANKMENT	5.1 SQ FT
TOPSOIL EXCAVATION	16.5 SQ FT
TOPSOIL PLACEMENT	8.8 SQ FT

20 + 50.00



USER NAME = KyleVZ	DESIGNED - KVZ	REVISED -
	DRAWN - JBH	REVISED -
PLOT SCALE = 20.0000 ' / in.	CHECKED - JMY	REVISED -
PLOT DATE = 2/20/2024	DATE - 02/14/2024	REVISED -

STATE OF ILLINOIS
 DEPARTMENT OF TRANSPORTATION

CROSS SECTIONS
 GARY AVENUE

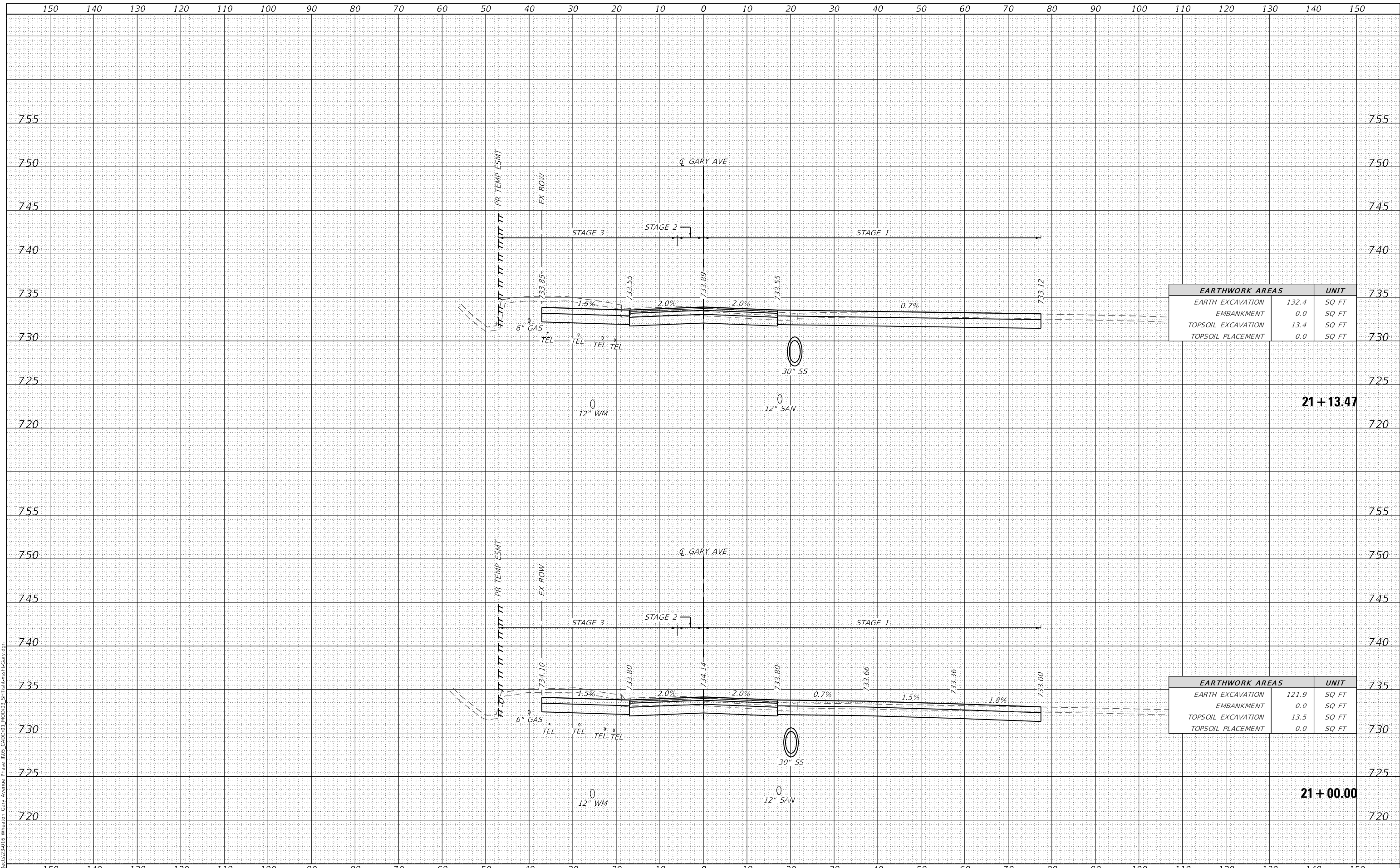
SCALE: 1"=10' SHEET OF SHEETS STA. 20+50.00 TO STA. 20+50.00

F.A.U. RTE.	SECTION	COUNTY	TOTAL SHEETS	SHEET NO.
2561	20-00123-00-PV	DUPAGE	257	221
CONTRACT NO. 61K32				
ILLINOIS FED. AID PROJECT				

DATE	
BY	
SURVEYED	
PLOTTED	
TEMPLATE	
AREAS CHECKED	
FINAL SURVEY	
NOTE BOOK	
NO.	
AREAS CHECKED	

DATE	
BY	
SURVEYED	
PLOTTED	
TEMPLATE	
AREAS CHECKED	
ORIGINAL SURVEY	
NOTE BOOK	
NO.	
AREAS CHECKED	

MODEL: Default
 FILE NAME: T:\Projects\23-016 Wheaton Gary Avenue Phase 105_CADD\01_101013_SHT\sta-x-ent-Gary.dgn



EARTHWORK AREAS		UNIT
EARTH EXCAVATION	132.4	SQ FT
EMBANKMENT	0.0	SQ FT
TOPSOIL EXCAVATION	13.4	SQ FT
TOPSOIL PLACEMENT	0.0	SQ FT

EARTHWORK AREAS		UNIT
EARTH EXCAVATION	121.9	SQ FT
EMBANKMENT	0.0	SQ FT
TOPSOIL EXCAVATION	13.5	SQ FT
TOPSOIL PLACEMENT	0.0	SQ FT



USER NAME = KyleVZ	DESIGNED - KVZ	REVISED -
	DRAWN - JBH	REVISED -
PLOT SCALE = 20.0000' / in.	CHECKED - JMY	REVISED -
PLOT DATE = 2/20/2024	DATE - 02/14/2024	REVISED -

STATE OF ILLINOIS
 DEPARTMENT OF TRANSPORTATION

CROSS SECTIONS
 GARY AVENUE

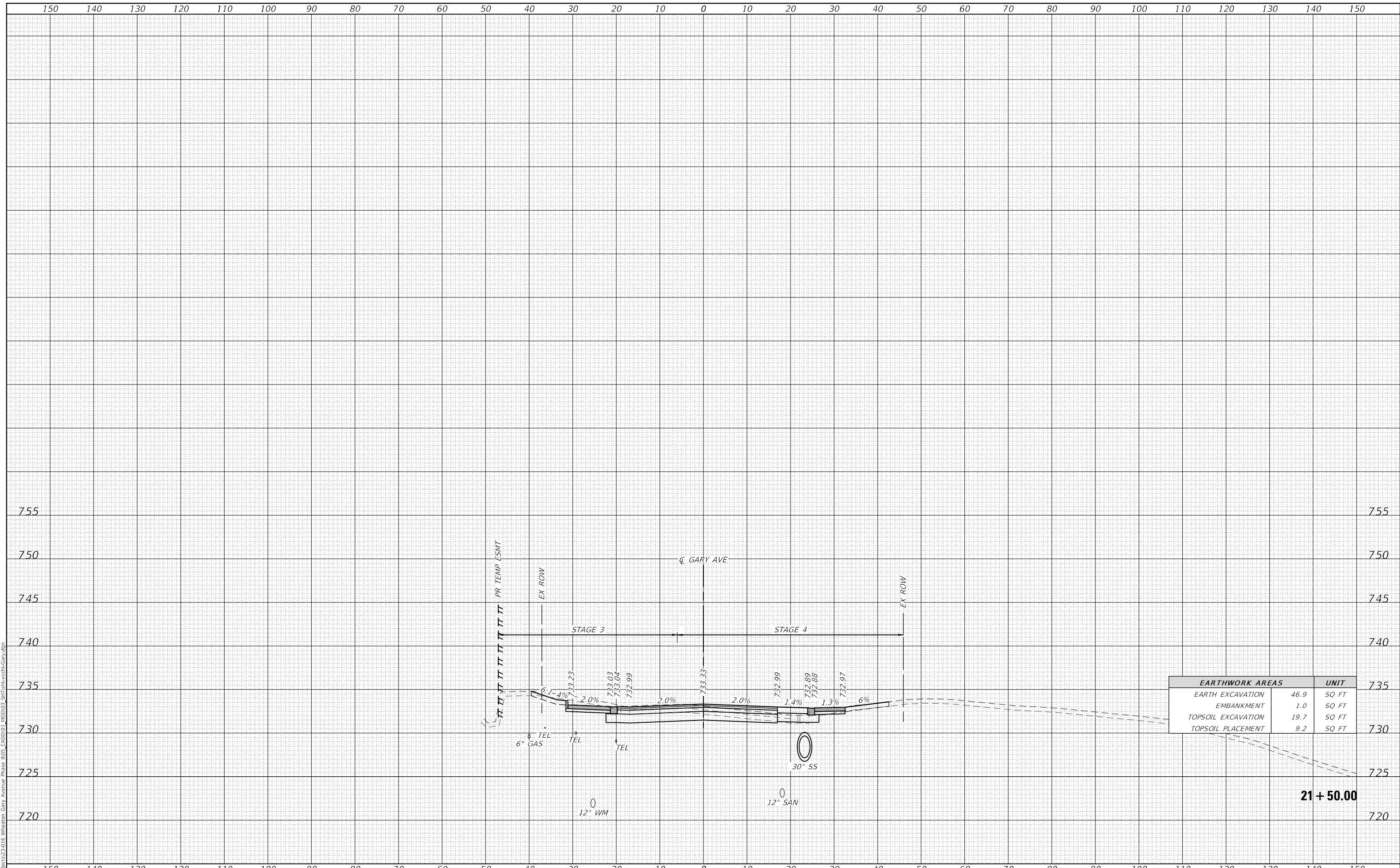
SCALE: 1"=10' SHEET OF SHEETS STA. 21+00.00 TO STA. 21+13.47

F.A.U. RTE.	SECTION	COUNTY	TOTAL SHEETS	SHEET NO.
2561	20-00123-00-PV	DUPAGE	257	222
				CONTRACT NO. 61K32
				ILLINOIS FED. AID PROJECT

FINAL SURVEY NO.	SURVEYED	DATE
NOTE BOOK	PLOTTED	BY
AREAS CHECKED	TEMPLATE	
	AREAS CHECKED	

ORIGINAL SURVEY NO.	SURVEYED	DATE
NOTE BOOK	PLOTTED	BY
AREAS CHECKED	TEMPLATE	
	AREAS CHECKED	

MODEL: Default
 FILE NAME: T:\projects\23-016 Wheaton Gary Avenue Phase B\55_CADD\01_100103_SHT\stn-x-sslt-Gary.dgn



EARTHWORK AREAS	UNIT
EARTH EXCAVATION	46.9 SQ FT
EMBANKMENT	1.0 SQ FT
TOPSOIL EXCAVATION	19.7 SQ FT
TOPSOIL PLACEMENT	9.2 SQ FT

21 + 50.00



USER NAME = KyleVZ	DESIGNED - KVZ	REVISED -
	DRAWN - JBH	REVISED -
PLOT SCALE = 20.0000 ' / in.	CHECKED - JMY	REVISED -
PLOT DATE = 2/20/2024	DATE - 02/14/2024	REVISED -

**STATE OF ILLINOIS
 DEPARTMENT OF TRANSPORTATION**

**CROSS SECTIONS
 GARY AVENUE**

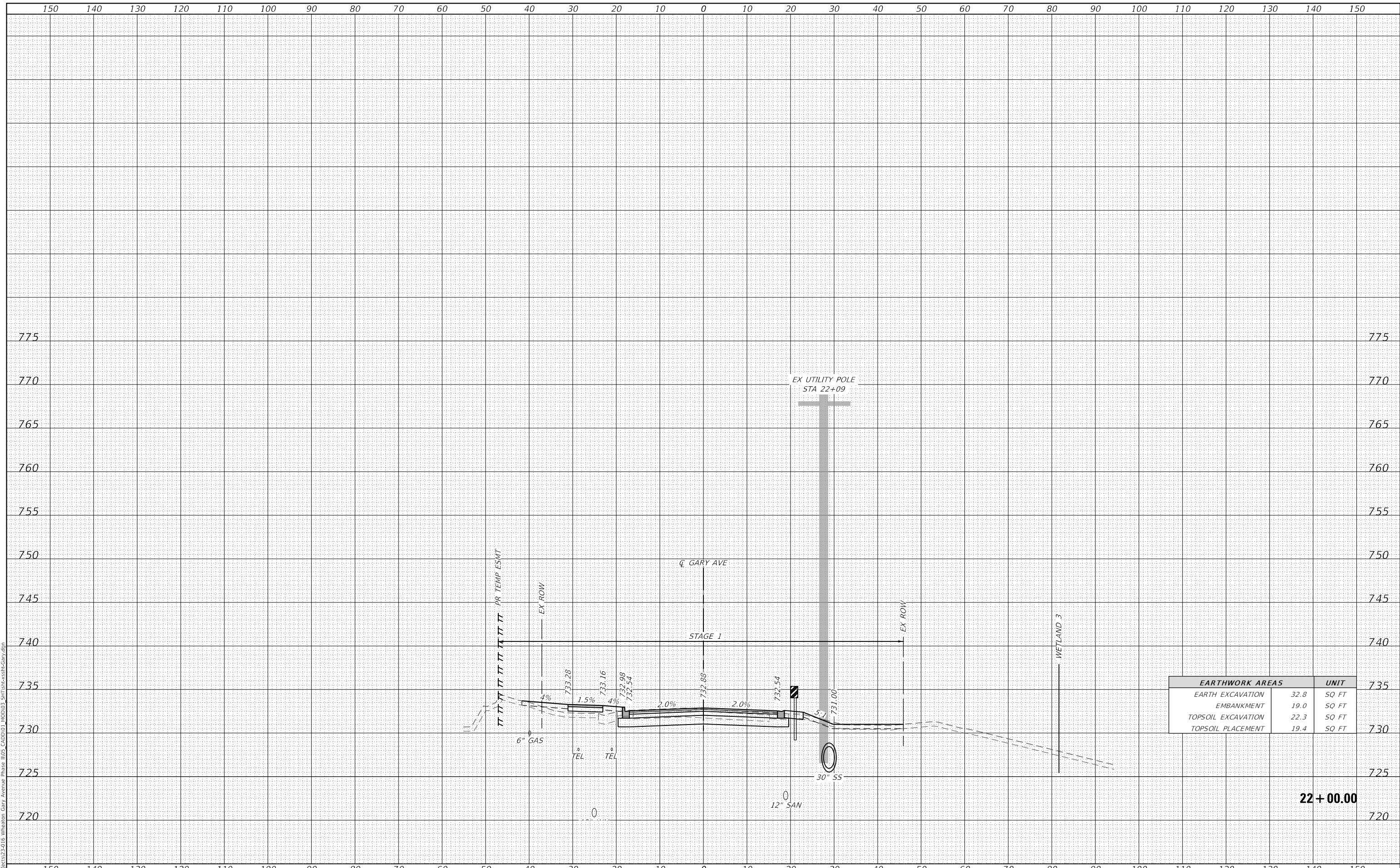
SCALE: 1"=10' SHEET OF SHEETS STA. 21+50.00 TO STA. 21+50.00

F.A.U. RTE.	SECTION	COUNTY	TOTAL SHEETS	SHEET NO.
2561	20-00123-00-PV	DUPAGE	257	223
CONTRACT NO. 61K32				
ILLINOIS FED. AID PROJECT				

DATE	
BY	
SURVEYED	
PLOTTED	
TEMPLATE	
AREAS CHECKED	
FINAL SURVEY NO.	
NOTE BOOK NO.	
AREAS CHECKED	

DATE	
BY	
SURVEYED	
PLOTTED	
TEMPLATE	
AREAS CHECKED	
ORIGINAL SURVEY NO.	
NOTE BOOK NO.	
AREAS CHECKED	

MODEL: Default
 FILE NAME: T:\projects\23-016 Wheaton Gary Avenue Phase 1\05_CADD\01_PLOT\03_SHT\st-ss-ct-Gary.dgn



EARTHWORK AREAS	UNIT
EARTH EXCAVATION	32.8 SQ FT
EMBANKMENT	19.0 SQ FT
TOPSOIL EXCAVATION	22.3 SQ FT
TOPSOIL PLACEMENT	19.4 SQ FT



USER NAME = KyleVZ	DESIGNED - KVZ	REVISED -
	DRAWN - JBH	REVISED -
PLOT SCALE = 20.0000 ' / in.	CHECKED - JMY	REVISED -
PLOT DATE = 2/20/2024	DATE - 02/14/2024	REVISED -

STATE OF ILLINOIS
 DEPARTMENT OF TRANSPORTATION

CROSS SECTIONS
 GARY AVENUE

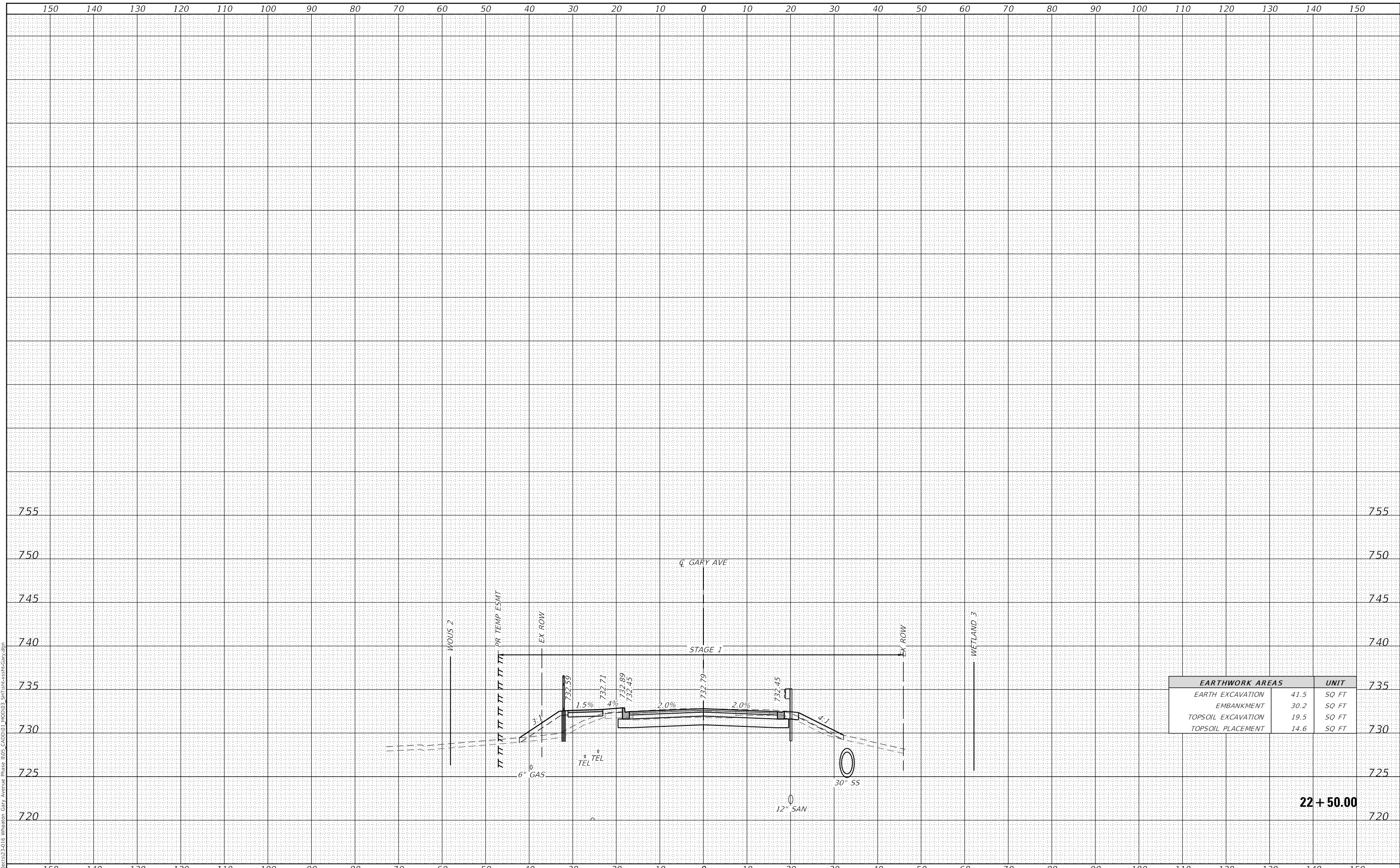
SCALE: 1"=10' SHEET OF SHEETS STA. 22+00.00 TO STA. 22+00.00

F.A.U. RTE.	SECTION	COUNTY	TOTAL SHEETS	SHEET NO.
2561	20-00123-00-PV	DUPAGE	257	224
CONTRACT NO. 61K32				
ILLINOIS FED. AID PROJECT				

FINAL SURVEY NO.	SURVEYED	DATE
NOTE BOOK	PLOTTED	BY
AREAS CHECKED	TEMPLATE	
	AREAS CHECKED	

ORIGINAL SURVEY NO.	SURVEYED	DATE
NOTE BOOK	PLOTTED	BY
AREAS CHECKED	TEMPLATE	
	AREAS CHECKED	

MODEL: Default
 FILE NAME: T:\projects\23-016 Wheaton Gary Avenue Phase 1\05_CADD\100103_SHT\stn-x-ss-Gary.dgn



EARTHWORK AREAS	UNIT
EARTH EXCAVATION	41.5 SQ FT
EMBANKMENT	30.2 SQ FT
TOPSOIL EXCAVATION	19.5 SQ FT
TOPSOIL PLACEMENT	14.6 SQ FT

22 + 50.00



USER NAME = KyleVZ	DESIGNED - KVZ	REVISED -
PLOT SCALE = 20.0000' / in.	DRAWN - JBH	REVISED -
PLOT DATE = 2/20/2024	CHECKED - JMY	REVISED -
	DATE - 02/14/2024	REVISED -

**STATE OF ILLINOIS
 DEPARTMENT OF TRANSPORTATION**

**CROSS SECTIONS
 GARY AVENUE**

SCALE: 1"=10' SHEET OF SHEETS STA. 22+50.00 TO STA. 22+50.00

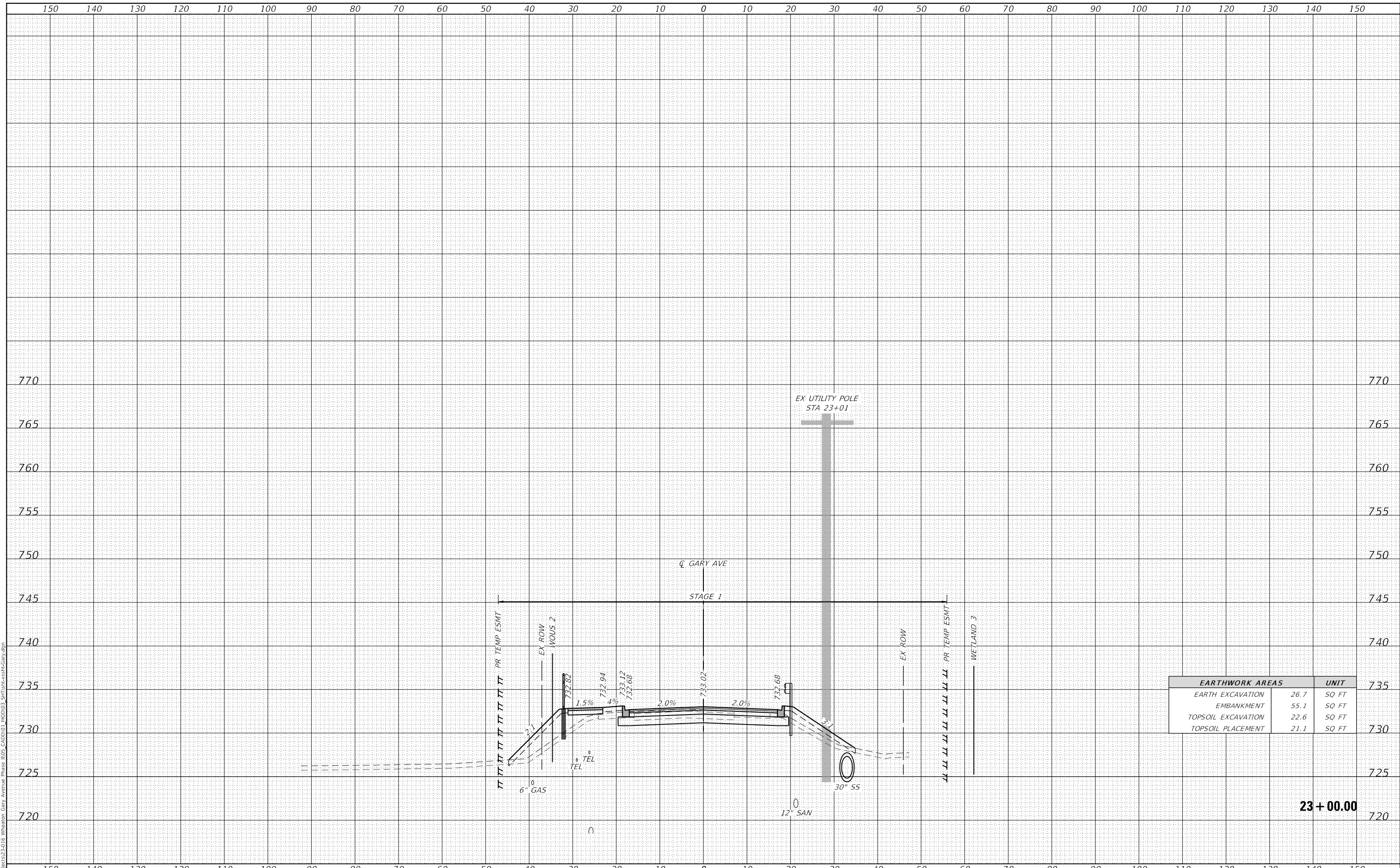
F.A.U. RTE.	SECTION	COUNTY	TOTAL SHEETS	SHEET NO.
2561	20-00123-00-PV	DUPAGE	257	225
CONTRACT NO. 61K32				

ILLINOIS FED. AID PROJECT

DATE	
BY	
FINAL SURVEY	SURVEYED
NOTE BOOK	PLOTTED
NO.	TEMPLATE
	AREAS CHECKED

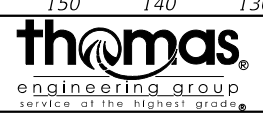
DATE	
BY	
ORIGINAL SURVEY	SURVEYED
NOTE BOOK	PLOTTED
NO.	TEMPLATE
	AREAS CHECKED

MODEL: Default
 FILE NAME: T:\projects\23-016 Wheaton Gary Avenue\105_CADD\105_0103_SHT\stg-ss-gary.dgn



EARTHWORK AREAS	UNIT
EARTH EXCAVATION	26.7 SQ FT
EMBANKMENT	55.1 SQ FT
TOPSOIL EXCAVATION	22.6 SQ FT
TOPSOIL PLACEMENT	21.1 SQ FT

23 + 00.00



USER NAME = KyleVZ	DESIGNED - KVZ	REVISED -
	DRAWN - JBH	REVISED -
PLOT SCALE = 20.0000 ' / in.	CHECKED - JMY	REVISED -
PLOT DATE = 2/20/2024	DATE - 02/14/2024	REVISED -

STATE OF ILLINOIS
 DEPARTMENT OF TRANSPORTATION

CROSS SECTIONS
 GARY AVENUE

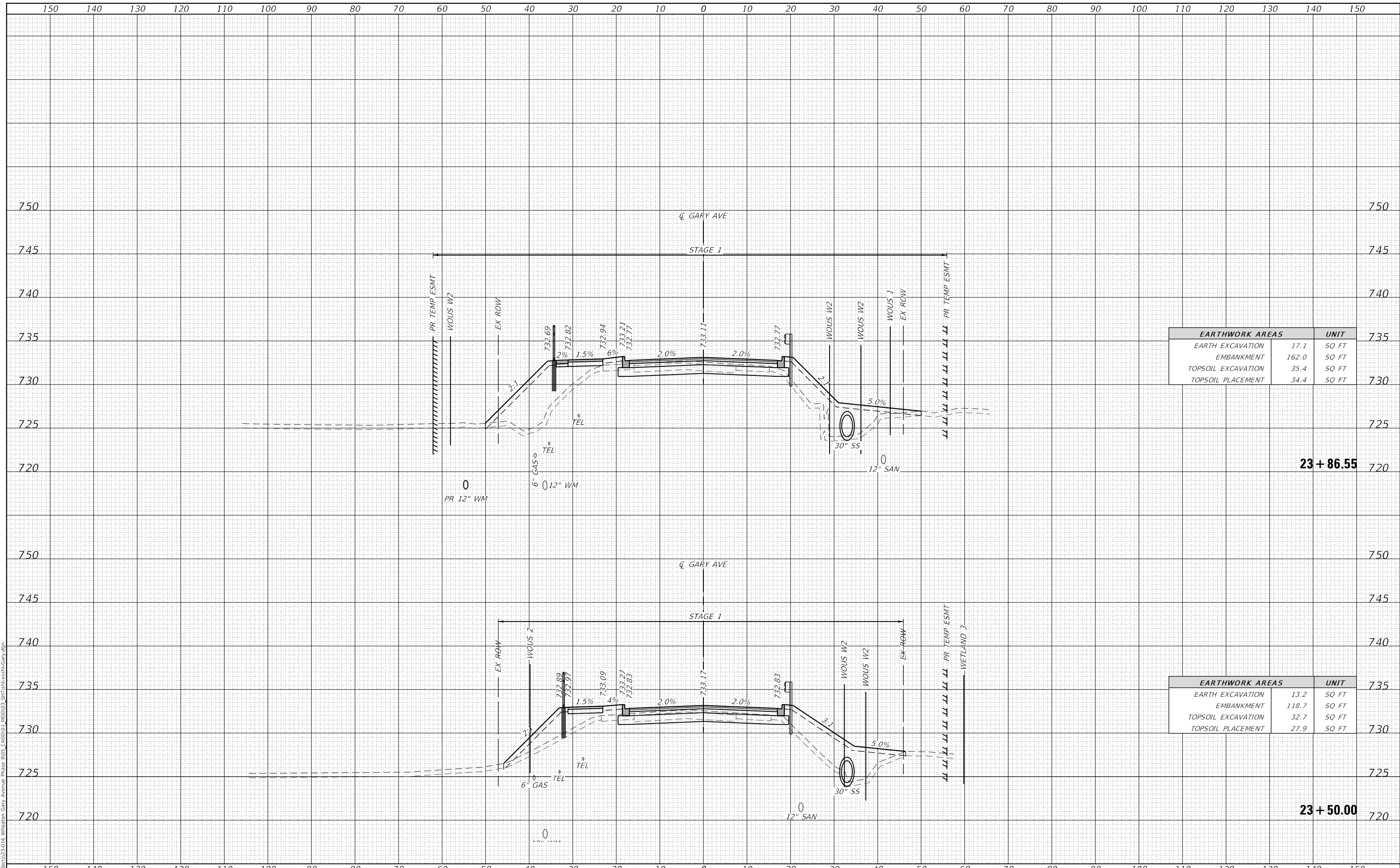
SCALE: 1"=10' SHEET OF SHEETS STA. 23+00.00 TO STA. 23+00.00

F.A.U. RTE.	SECTION	COUNTY	TOTAL SHEETS	SHEET NO.
2561	20-00123-00-PV	DUPAGE	257	226
CONTRACT NO. 61K32				
ILLINOIS		FED. AID PROJECT		

DATE	
BY	
FINAL SURVEY	SURVEYED
NOTE BOOK	PLOTTED
NO.	TEMPLATE
	AREAS CHECKED
	AREAS CHECKED

DATE	
BY	
ORIGINAL SURVEY	SURVEYED
NOTE BOOK	PLOTTED
NO.	TEMPLATE
	AREAS CHECKED
	AREAS CHECKED

MODEL: Definit
 FILE NAME: T:\projects\23-016 Wheaton Gary Avenue\105_CADD\105_0103_SHT\stg-ss1-Gary.dgn



EARTHWORK AREAS		UNIT
EARTH EXCAVATION	17.1	SQ FT
EMBANKMENT	162.0	SQ FT
TOPSOIL EXCAVATION	35.4	SQ FT
TOPSOIL PLACEMENT	34.4	SQ FT

EARTHWORK AREAS		UNIT
EARTH EXCAVATION	13.2	SQ FT
EMBANKMENT	118.7	SQ FT
TOPSOIL EXCAVATION	32.7	SQ FT
TOPSOIL PLACEMENT	27.9	SQ FT



USER NAME = KyleVZ	DESIGNED - KVZ	REVISED -
	DRAWN - JBH	REVISED -
PLOT SCALE = 20.0000' / in.	CHECKED - JMY	REVISED -
PLOT DATE = 2/20/2024	DATE - 02/14/2024	REVISED -

STATE OF ILLINOIS
 DEPARTMENT OF TRANSPORTATION

CROSS SECTIONS
 GARY AVENUE

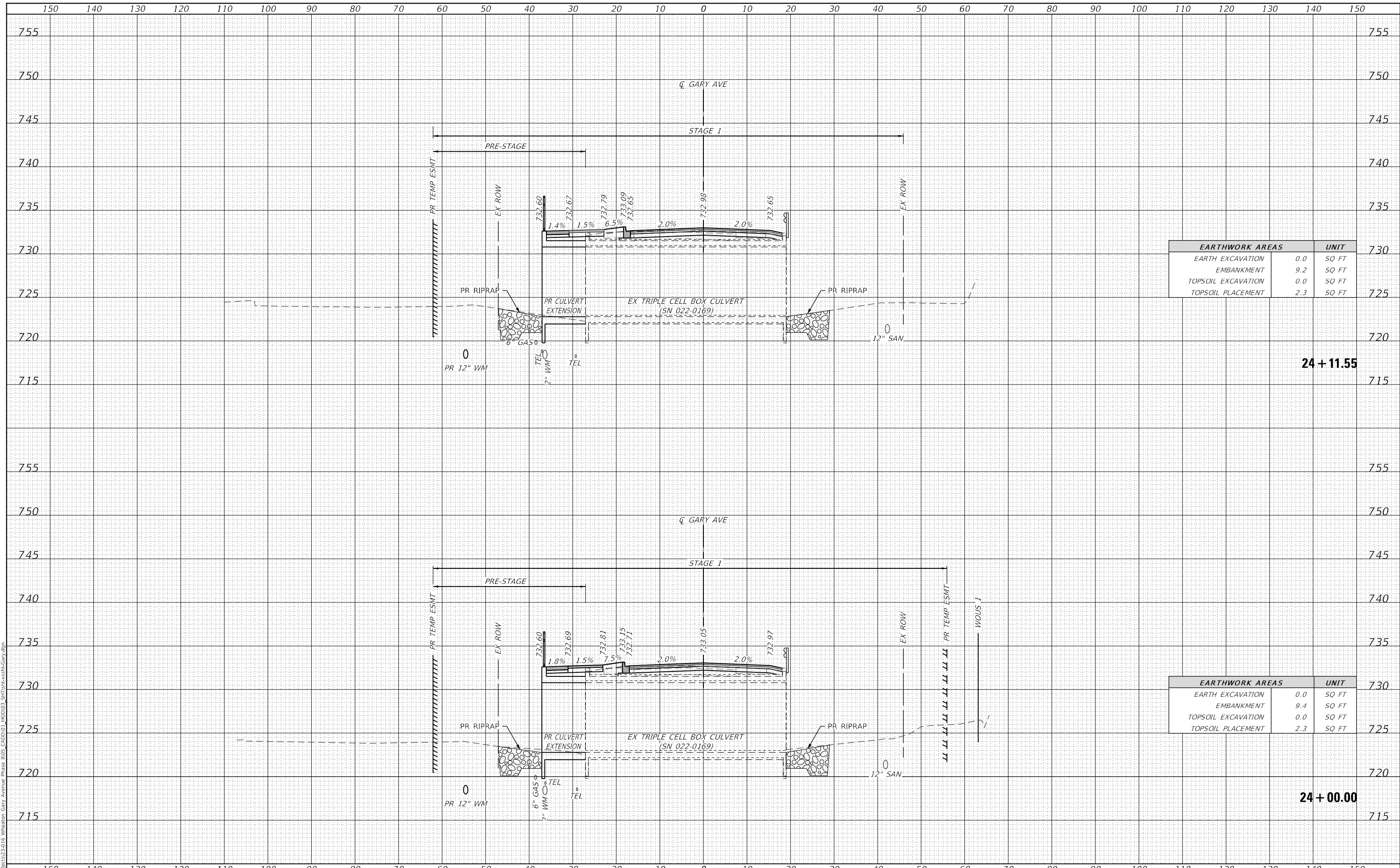
SCALE: 1"=10' SHEET OF SHEETS STA. 23+50.00 TO STA. 23+86.55

F.A.U. RTE.	SECTION	COUNTY	TOTAL SHEETS	SHEET NO.
2561	20-00123-00-PV	DUPAGE	257	227
CONTRACT NO. 61K32			ILLINOIS FED. AID PROJECT	

DATE	
BY	
FINAL SURVEY	SURVEYED
NOTE BOOK	PLOTTED
NO.	TEMPLATE
	AREAS CHECKED
	AREAS CHECKED

DATE	
BY	
ORIGINAL SURVEY	SURVEYED
NOTE BOOK	PLOTTED
NO.	TEMPLATE
	AREAS CHECKED
	AREAS CHECKED

MODEL: Definit
 FILE NAME: T:\Projects\23-016 Wheaton Gary Avenue Phase 1\05_CADD\100103_SHT\st-ss-16-Gary.dgn



EARTHWORK AREAS		UNIT
EARTH EXCAVATION	0.0	SQ FT
EMBANKMENT	9.2	SQ FT
TOPSOIL EXCAVATION	0.0	SQ FT
TOPSOIL PLACEMENT	2.3	SQ FT

EARTHWORK AREAS		UNIT
EARTH EXCAVATION	0.0	SQ FT
EMBANKMENT	9.4	SQ FT
TOPSOIL EXCAVATION	0.0	SQ FT
TOPSOIL PLACEMENT	2.3	SQ FT



USER NAME = KyleVZ	DESIGNED - KVZ	REVISED -
	DRAWN - JBH	REVISED -
PLOT SCALE = 20.0000 ' / in.	CHECKED - JMY	REVISED -
PLOT DATE = 2/20/2024	DATE - 02/14/2024	REVISED -

STATE OF ILLINOIS
 DEPARTMENT OF TRANSPORTATION

CROSS SECTIONS
 GARY AVENUE

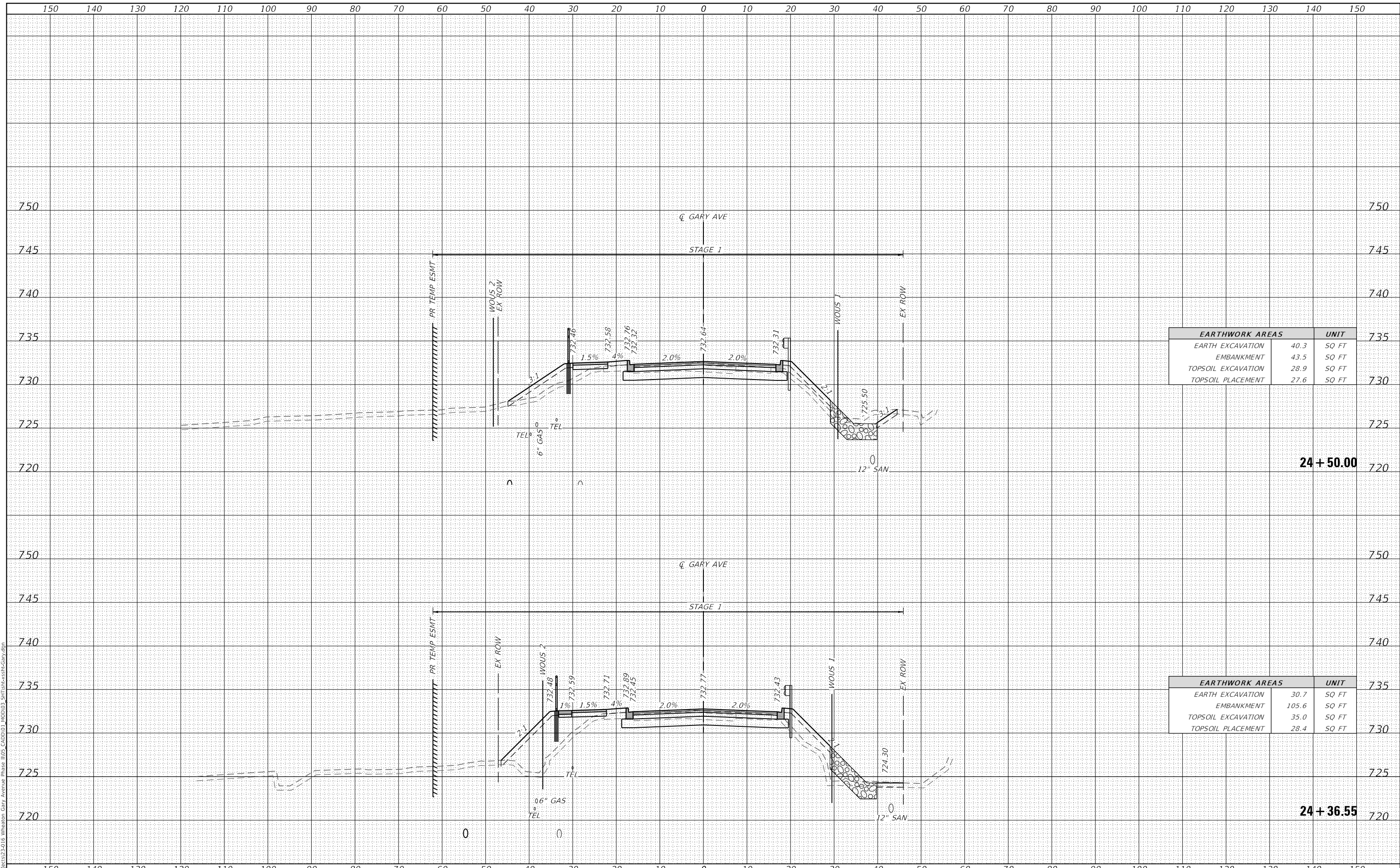
SCALE: 1"=10' SHEET OF SHEETS STA. 24+00.00 TO STA. 24+11.55

F.A.U. RTE.	SECTION	COUNTY	TOTAL SHEETS	SHEET NO.
2561	20-00123-00-PV	DUPAGE	257	228
CONTRACT NO. 61K32			ILLINOIS FED. AID PROJECT	

DATE	
BY	
FINAL SURVEY	SURVEYED
NOTE BOOK	PLOTTED
NO.	TEMPLATE
	AREAS CHECKED
	AREAS CHECKED

DATE	
BY	
ORIGINAL SURVEY	SURVEYED
NOTE BOOK	PLOTTED
NO.	TEMPLATE
	AREAS CHECKED
	AREAS CHECKED

MODEL: Default
FILE NAME: T:\projects\23-016 Wheaton Gary Avenue Phase 1\05_CADD\01_00\013_SHT\st-ss16-Gary.dgn



EARTHWORK AREAS		UNIT
EARTH EXCAVATION	40.3	SQ FT
EMBANKMENT	43.5	SQ FT
TOPSOIL EXCAVATION	28.9	SQ FT
TOPSOIL PLACEMENT	27.6	SQ FT

EARTHWORK AREAS		UNIT
EARTH EXCAVATION	30.7	SQ FT
EMBANKMENT	105.6	SQ FT
TOPSOIL EXCAVATION	35.0	SQ FT
TOPSOIL PLACEMENT	28.4	SQ FT



USER NAME = KyleVZ	DESIGNED - KVZ	REvised -
	DRAWN - JBH	REvised -
PLOT SCALE = 20.0000' / in.	CHECKED - JMY	REvised -
PLOT DATE = 2/20/2024	DATE - 02/14/2024	REvised -

STATE OF ILLINOIS
DEPARTMENT OF TRANSPORTATION

CROSS SECTIONS
GARY AVENUE

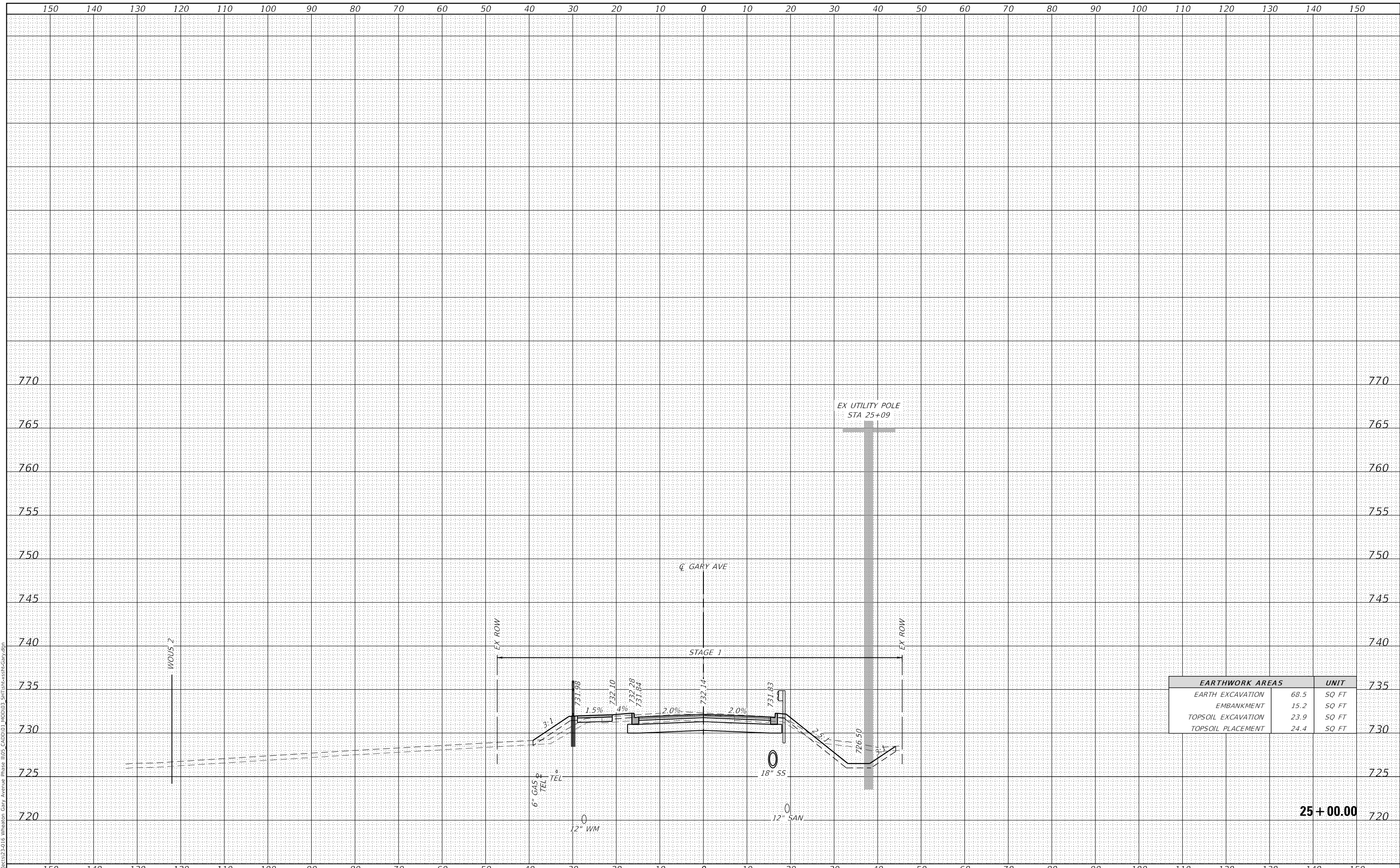
SCALE: 1"=10' SHEET OF SHEETS STA. 24+36.55 TO STA. 24+50.00

F.A.U. RTE.	SECTION	COUNTY	TOTAL SHEETS	SHEET NO.
2561	20-00123-00-PV	DUPAGE	257	229
				CONTRACT NO. 61K32
				ILLINOIS FED. AID PROJECT

FINAL SURVEY NO.	SURVEYED	DATE
NOTE BOOK	PLOTTED	
	TEMPLATE	
	AREAS CHECKED	

ORIGINAL SURVEY NO.	SURVEYED	DATE
NOTE BOOK	PLOTTED	
	TEMPLATE	
	AREAS CHECKED	

MODEL: Default
 FILE NAME: T:\projects\23-016 Wheaton Gary Avenue Phase 1\05_CADD\01_00\0103_SHT\st-ss-1b-Gary.dgn



EARTHWORK AREAS	UNIT
EARTH EXCAVATION	68.5 SQ FT
EMBANKMENT	15.2 SQ FT
TOPSOIL EXCAVATION	23.9 SQ FT
TOPSOIL PLACEMENT	24.4 SQ FT

25 + 00.00



USER NAME = KyleVZ	DESIGNED - KVZ	REVISED -
	DRAWN - JBH	REVISED -
PLOT SCALE = 20.0000 ' / in.	CHECKED - JMY	REVISED -
PLOT DATE = 2/20/2024	DATE - 02/14/2024	REVISED -

**STATE OF ILLINOIS
 DEPARTMENT OF TRANSPORTATION**

**CROSS SECTIONS
 GARY AVENUE**

SCALE: 1" = 10' SHEET OF SHEETS STA. 25+00.00 TO STA. 25+00.00

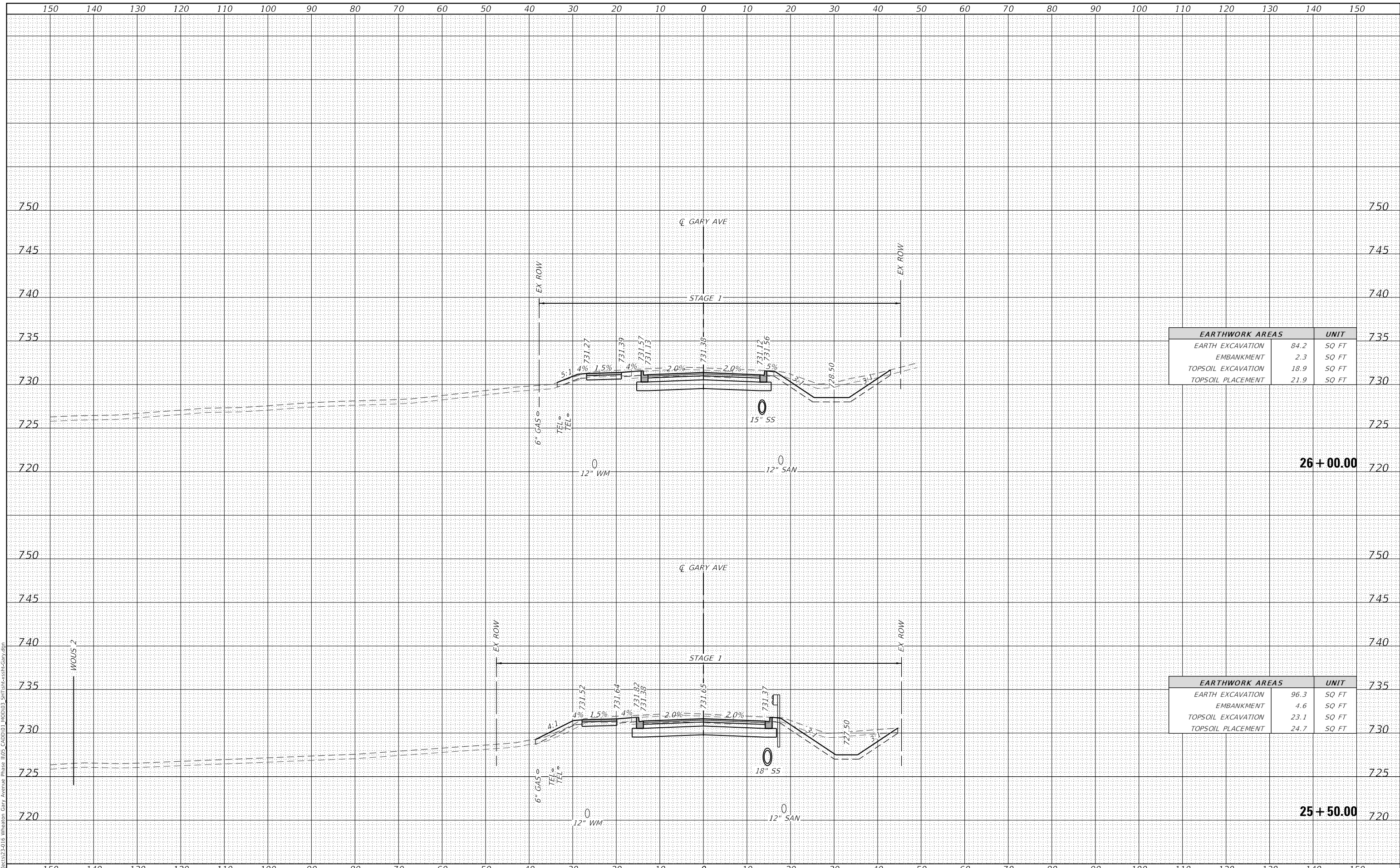
F.A.U. RTE.	SECTION	COUNTY	TOTAL SHEETS	SHEET NO.
2561	20-00123-00-PV	DUPAGE	257	230
CONTRACT NO. 61K32				

ILLINOIS FED. AID PROJECT

DATE	
BY	
FINAL SURVEY	SURVEYED
NOTE BOOK	PLOTTED
NO.	TEMPLATE
	AREAS CHECKED

DATE	
BY	
ORIGINAL SURVEY	SURVEYED
NOTE BOOK	PLOTTED
NO.	TEMPLATE
	AREAS CHECKED

MODEL: Default
 FILE NAME: T:\projects\23-016 Wheaton Gary Avenue Phase I\05_CADD\01_00\013_SHT\st-ss-1-gary.dgn



EARTHWORK AREAS		UNIT
EARTH EXCAVATION	84.2	SQ FT
EMBANKMENT	2.3	SQ FT
TOPSOIL EXCAVATION	18.9	SQ FT
TOPSOIL PLACEMENT	21.9	SQ FT

EARTHWORK AREAS		UNIT
EARTH EXCAVATION	96.3	SQ FT
EMBANKMENT	4.6	SQ FT
TOPSOIL EXCAVATION	23.1	SQ FT
TOPSOIL PLACEMENT	24.7	SQ FT



USER NAME = KyleVZ	DESIGNED - KVZ	REVISED -
	DRAWN - JBH	REVISED -
PLOT SCALE = 20.0000' / in.	CHECKED - JMY	REVISED -
PLOT DATE = 2/20/2024	DATE - 02/14/2024	REVISED -

**STATE OF ILLINOIS
 DEPARTMENT OF TRANSPORTATION**

**CROSS SECTIONS
 GARY AVENUE**

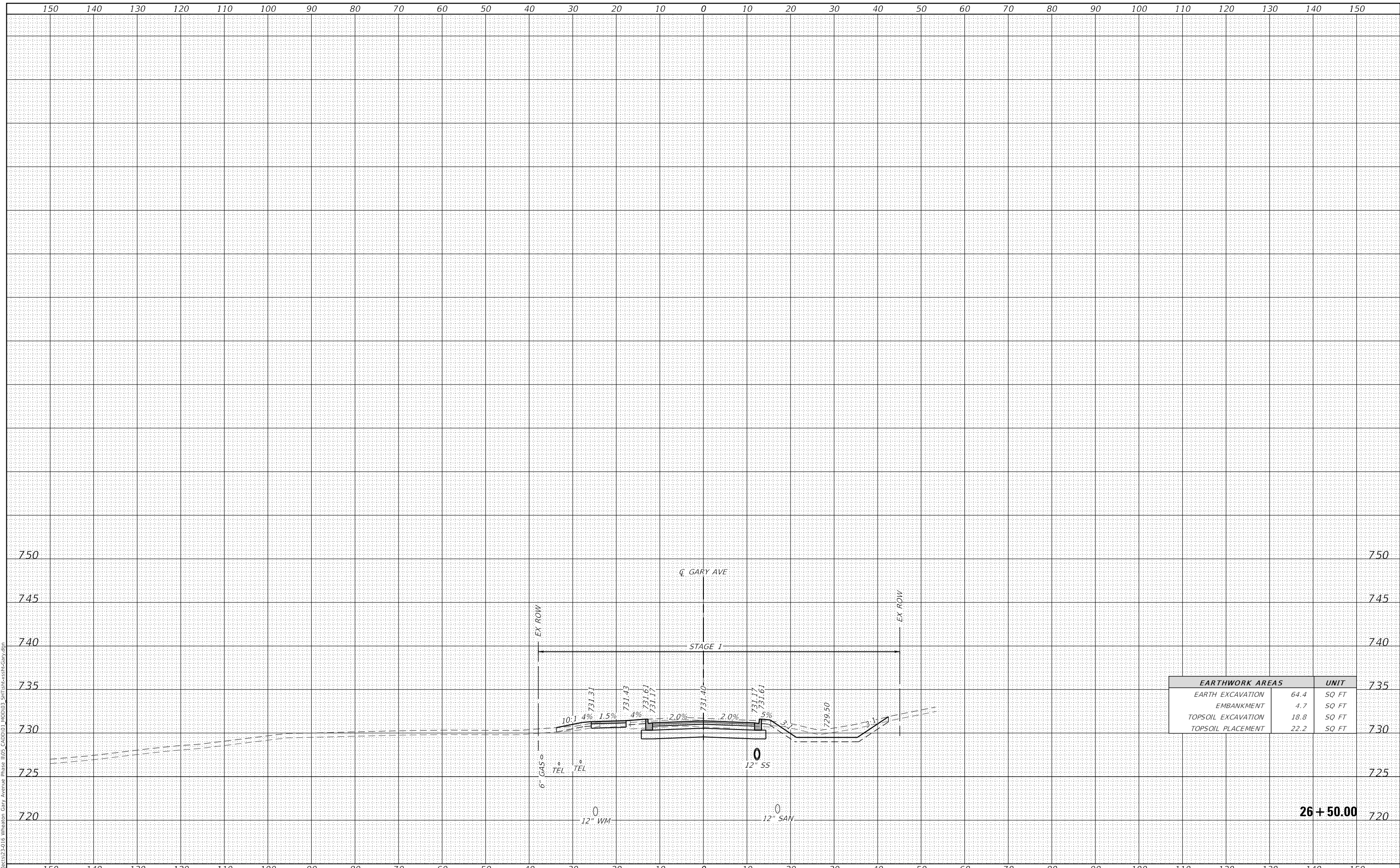
SCALE: 1"=10' SHEET OF SHEETS STA. 25+50.00 TO STA. 26+00.00

F.A.U. RTE.	SECTION	COUNTY	TOTAL SHEETS	SHEET NO.
2561	20-00123-00-PV	DUPAGE	257	231
				CONTRACT NO. 61K32
				ILLINOIS FED. AID PROJECT

FINAL SURVEY NO.	SURVEYED	DATE
NOTE BOOK	PLOTTED	BY
AREAS CHECKED	TEMPLATE	
	AREAS CHECKED	

ORIGINAL SURVEY NO.	SURVEYED	DATE
NOTE BOOK	PLOTTED	BY
AREAS CHECKED	TEMPLATE	
	AREAS CHECKED	

MODEL: Default
 FILE NAME: T:\projects\23-016 Wheaton Gary Avenue Phase 1\05_CADD\01_00103_SHT\stg-ss-gary.dgn



EARTHWORK AREAS	UNIT
EARTH EXCAVATION	64.4 SQ FT
EMBANKMENT	4.7 SQ FT
TOPSOIL EXCAVATION	18.8 SQ FT
TOPSOIL PLACEMENT	22.2 SQ FT



USER NAME = KyleVZ	DESIGNED - KVZ	REVISED -
	DRAWN - JBH	REVISED -
PLOT SCALE = 20.0000' / in.	CHECKED - JMY	REVISED -
PLOT DATE = 2/20/2024	DATE - 02/14/2024	REVISED -

STATE OF ILLINOIS
 DEPARTMENT OF TRANSPORTATION

CROSS SECTIONS
 GARY AVENUE

SCALE: 1"=10' SHEET OF SHEETS STA. 26+50.00 TO STA. 26+50.00

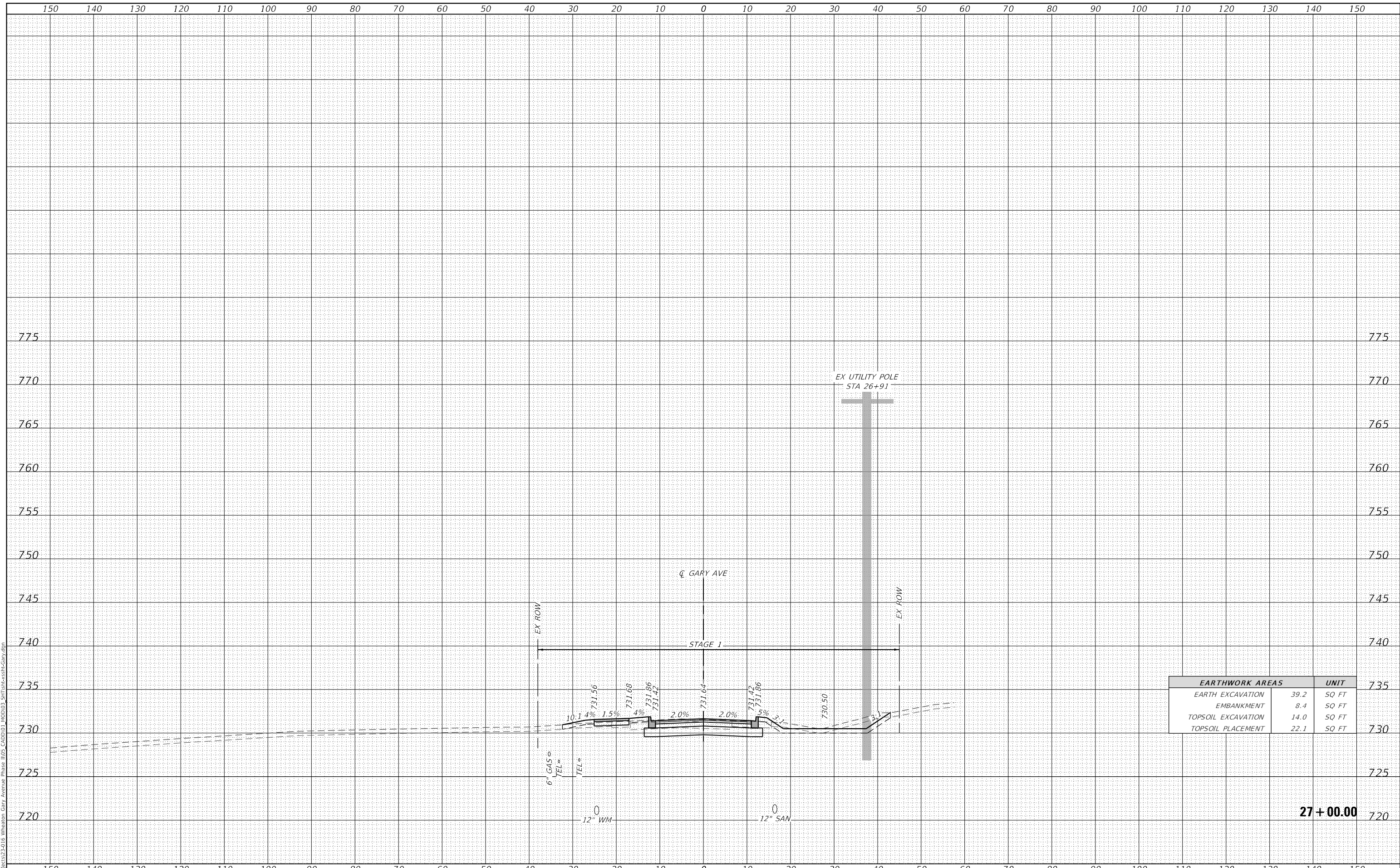
F.A.U. RTE.	SECTION	COUNTY	TOTAL SHEETS	SHEET NO.
2561	20-00123-00-PV	DUPAGE	257	232
				CONTRACT NO. 61K32

ILLINOIS FED. AID PROJECT

DATE	
BY	
SURVEYED	
PLOTTED	
TEMPLATE	
AREAS CHECKED	
FINAL SURVEY NO.	
NOTE BOOK NO.	
AREAS CHECKED	

DATE	
BY	
SURVEYED	
PLOTTED	
TEMPLATE	
AREAS CHECKED	
ORIGINAL SURVEY NO.	
NOTE BOOK NO.	
AREAS CHECKED	

MODEL: Default
 FILE NAME: T:\projects\23-016 Wheaton Gary Avenue Phase B\55_CADD\01_00\013_SHT\stn-x-26t-Gary.dgn



EARTHWORK AREAS	UNIT
EARTH EXCAVATION	39.2 SQ FT
EMBANKMENT	8.4 SQ FT
TOPSOIL EXCAVATION	14.0 SQ FT
TOPSOIL PLACEMENT	22.1 SQ FT



USER NAME = KyleVZ	DESIGNED - KVZ	REVISED -
	DRAWN - JBH	REVISED -
PLOT SCALE = 20.0000' / in.	CHECKED - JMY	REVISED -
PLOT DATE = 2/20/2024	DATE - 02/14/2024	REVISED -

STATE OF ILLINOIS
 DEPARTMENT OF TRANSPORTATION

CROSS SECTIONS
 GARY AVENUE

SCALE: 1"=10' SHEET OF SHEETS STA. 27+00.00 TO STA. 27+00.00

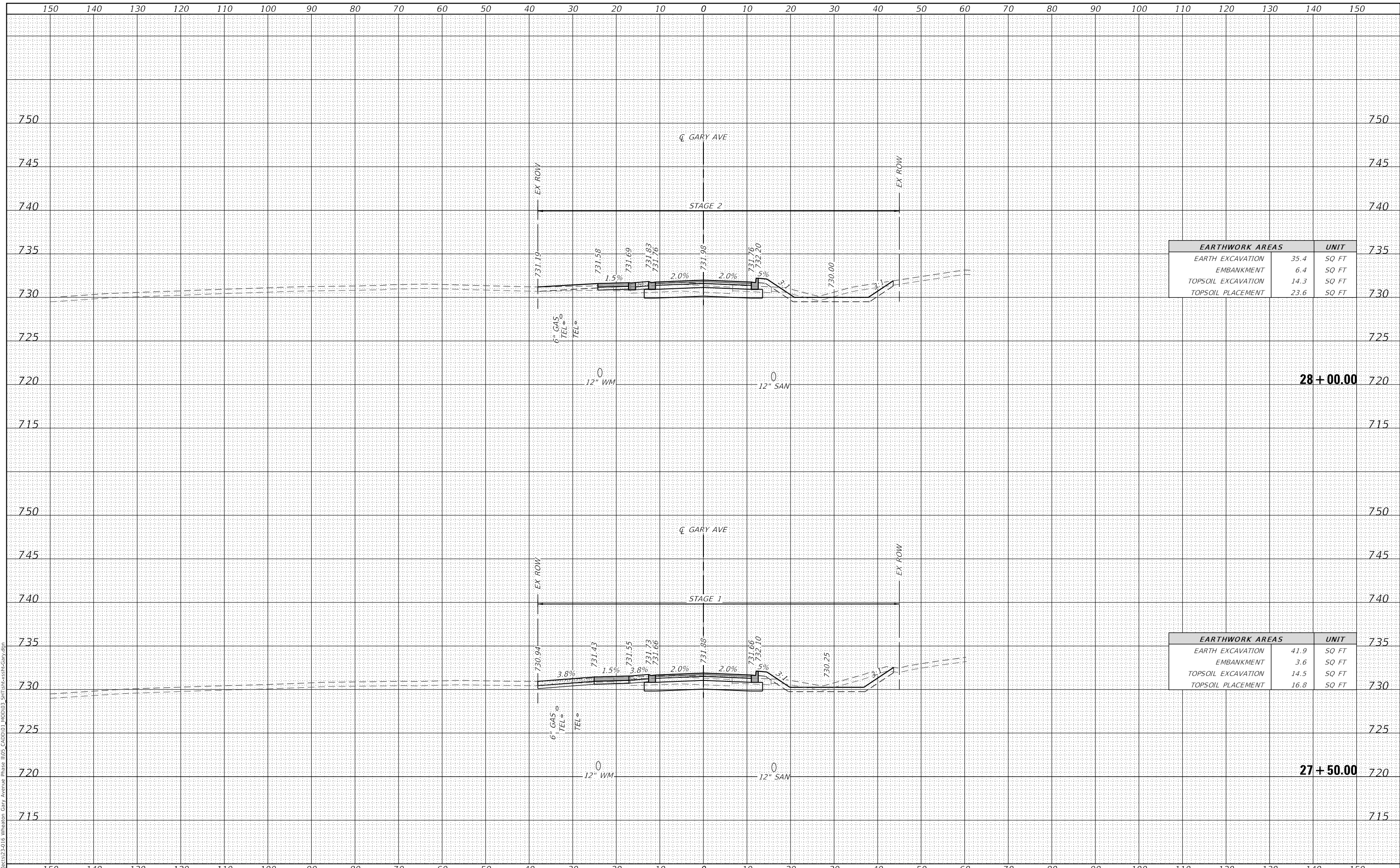
F.A.U. RTE.	SECTION	COUNTY	TOTAL SHEETS	SHEET NO.
2561	20-00123-00-PV	DUPAGE	257	233
CONTRACT NO. 61K32				

ILLINOIS FED. AID PROJECT

DATE	
BY	
FINAL SURVEY	SURVEYED
NOTE BOOK	PLOTTED
NO.	TEMPLATE
	AREAS CHECKED
	AREAS CHECKED

DATE	
BY	
ORIGINAL SURVEY	SURVEYED
NOTE BOOK	PLOTTED
NO.	TEMPLATE
	AREAS CHECKED
	AREAS CHECKED

MODEL: Default
 FILE NAME: T:\Projects\23-016 Wheaton Gary Avenue Phase 105_CADD\105_0103_SHT\stg-x-sec-Gary.dgn



EARTHWORK AREAS		UNIT
EARTH EXCAVATION	35.4	SQ FT
EMBANKMENT	6.4	SQ FT
TOPSOIL EXCAVATION	14.3	SQ FT
TOPSOIL PLACEMENT	23.6	SQ FT

EARTHWORK AREAS		UNIT
EARTH EXCAVATION	41.9	SQ FT
EMBANKMENT	3.6	SQ FT
TOPSOIL EXCAVATION	14.5	SQ FT
TOPSOIL PLACEMENT	16.8	SQ FT



USER NAME = KyleVZ	DESIGNED - KVZ	REVISED -
	DRAWN - JBH	REVISED -
PLOT SCALE = 20.0000' / in.	CHECKED - JMY	REVISED -
PLOT DATE = 2/20/2024	DATE - 02/14/2024	REVISED -

**STATE OF ILLINOIS
 DEPARTMENT OF TRANSPORTATION**

**CROSS SECTIONS
 GARY AVENUE**

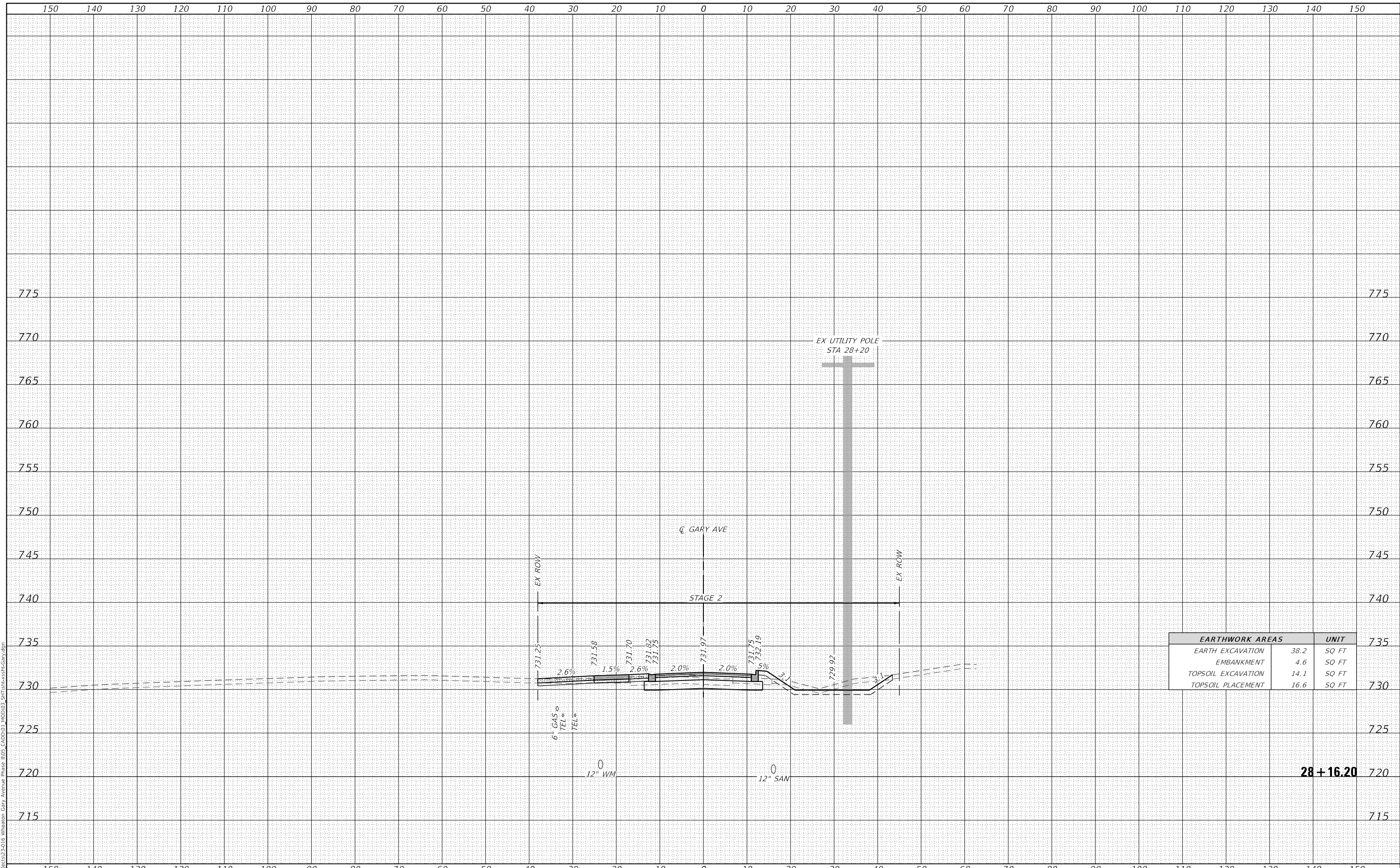
SCALE: 1"=10' SHEET OF SHEETS STA. 27+50.00 TO STA. 28+00.00

F.A.U. RTE.	SECTION	COUNTY	TOTAL SHEETS	SHEET NO.
2561	20-00123-00-PV	DUPAGE	257	234
			CONTRACT NO. 61K32	
		ILLINOIS	FED. AID PROJECT	

DATE	
BY	
FINAL SURVEY	SURVEYED
NOTE BOOK	PLOTTED
NO.	TEMPLATE
	AREAS CHECKED

DATE	
BY	
ORIGINAL SURVEY	SURVEYED
NOTE BOOK	PLOTTED
NO.	TEMPLATE
	AREAS CHECKED

MODEL: Default
 FILE NAME: T:\Projects\23-016 Wheaton Gary Avenue Phase 105_CADD\1050103_SHT\stn-x-816-Gary.dgn



EARTHWORK AREAS	UNIT
EARTH EXCAVATION	38.2 SQ FT
EMBANKMENT	4.6 SQ FT
TOPSOIL EXCAVATION	14.1 SQ FT
TOPSOIL PLACEMENT	16.6 SQ FT

28+16.20



USER NAME = KyleVZ	DESIGNED - KVZ	REVISED -
	DRAWN - JBH	REVISED -
PLOT SCALE = 20.0000' / in.	CHECKED - JMY	REVISED -
PLOT DATE = 2/20/2024	DATE - 02/14/2024	REVISED -

**STATE OF ILLINOIS
 DEPARTMENT OF TRANSPORTATION**

**CROSS SECTIONS
 GARY AVENUE**

SCALE: 1"=10' SHEET OF SHEETS STA. 28+16.20 TO STA. 28+16.20

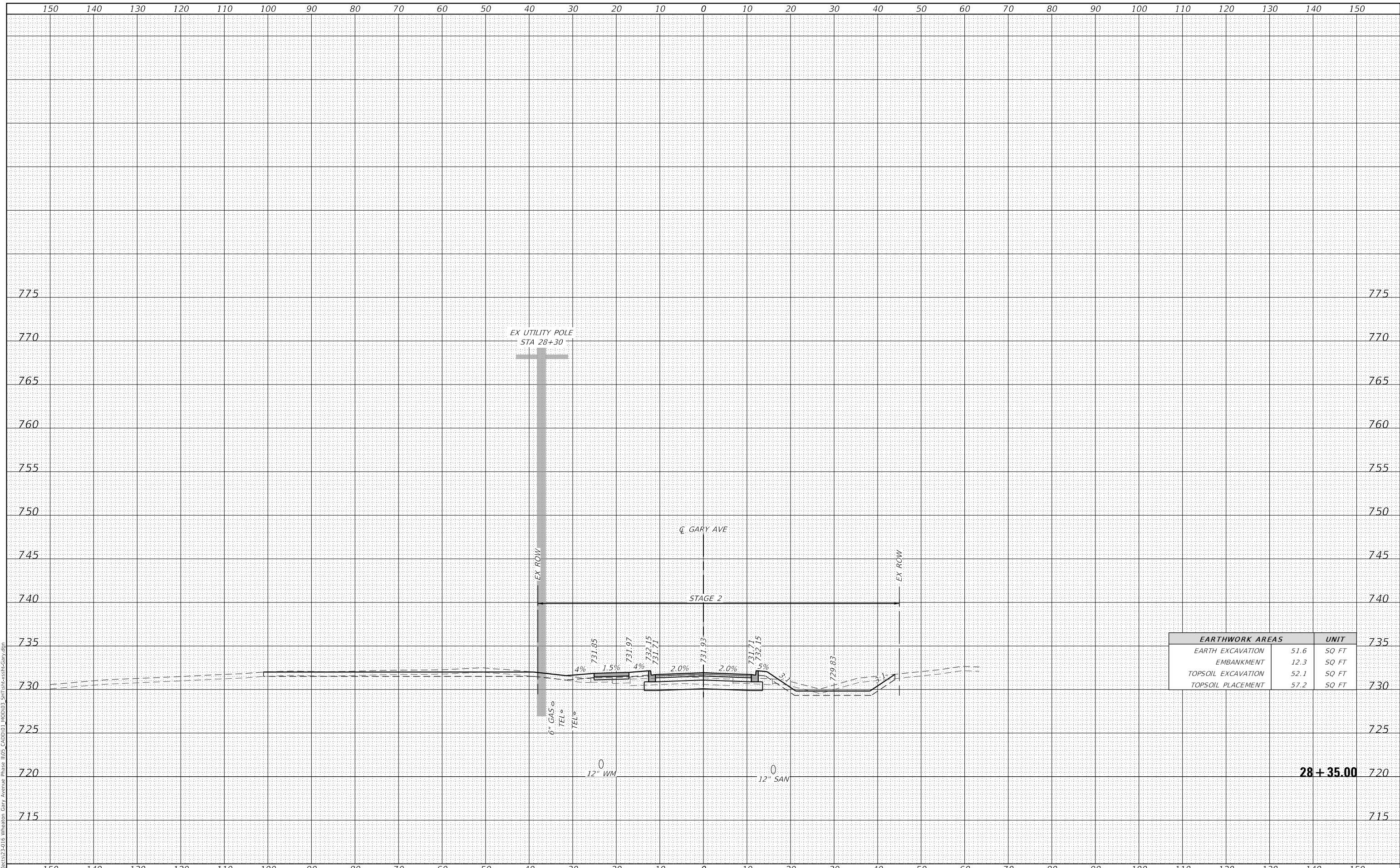
F.A.U. RTE.	SECTION	COUNTY	TOTAL SHEETS	SHEET NO.
2561	20-00123-00-PV	DUPAGE	257	235
CONTRACT NO. 61K32				

ILLINOIS FED. AID PROJECT

DATE	
BY	
FINAL SURVEY	SURVEYED
NOTE BOOK	PLOTTED
NO.	TEMPLATE
	AREAS CHECKED

DATE	
BY	
ORIGINAL SURVEY	SURVEYED
NOTE BOOK	PLOTTED
NO.	TEMPLATE
	AREAS CHECKED

MODEL: Default
 FILE NAME: T:\Projects\23-016 Wheaton Gary Avenue Phase 105_CADD\105_0103_SHT\stg-x-35-Gary.dgn



EARTHWORK AREAS	UNIT
EARTH EXCAVATION	51.6 SQ FT
EMBANKMENT	12.3 SQ FT
TOPSOIL EXCAVATION	52.1 SQ FT
TOPSOIL PLACEMENT	57.2 SQ FT

28 + 35.00



USER NAME = KyleVZ	DESIGNED - KVZ	REVISED -
	DRAWN - JBH	REVISED -
PLOT SCALE = 20.0000' / in.	CHECKED - JMY	REVISED -
PLOT DATE = 2/20/2024	DATE - 02/14/2024	REVISED -

**STATE OF ILLINOIS
 DEPARTMENT OF TRANSPORTATION**

**CROSS SECTIONS
 GARY AVENUE**

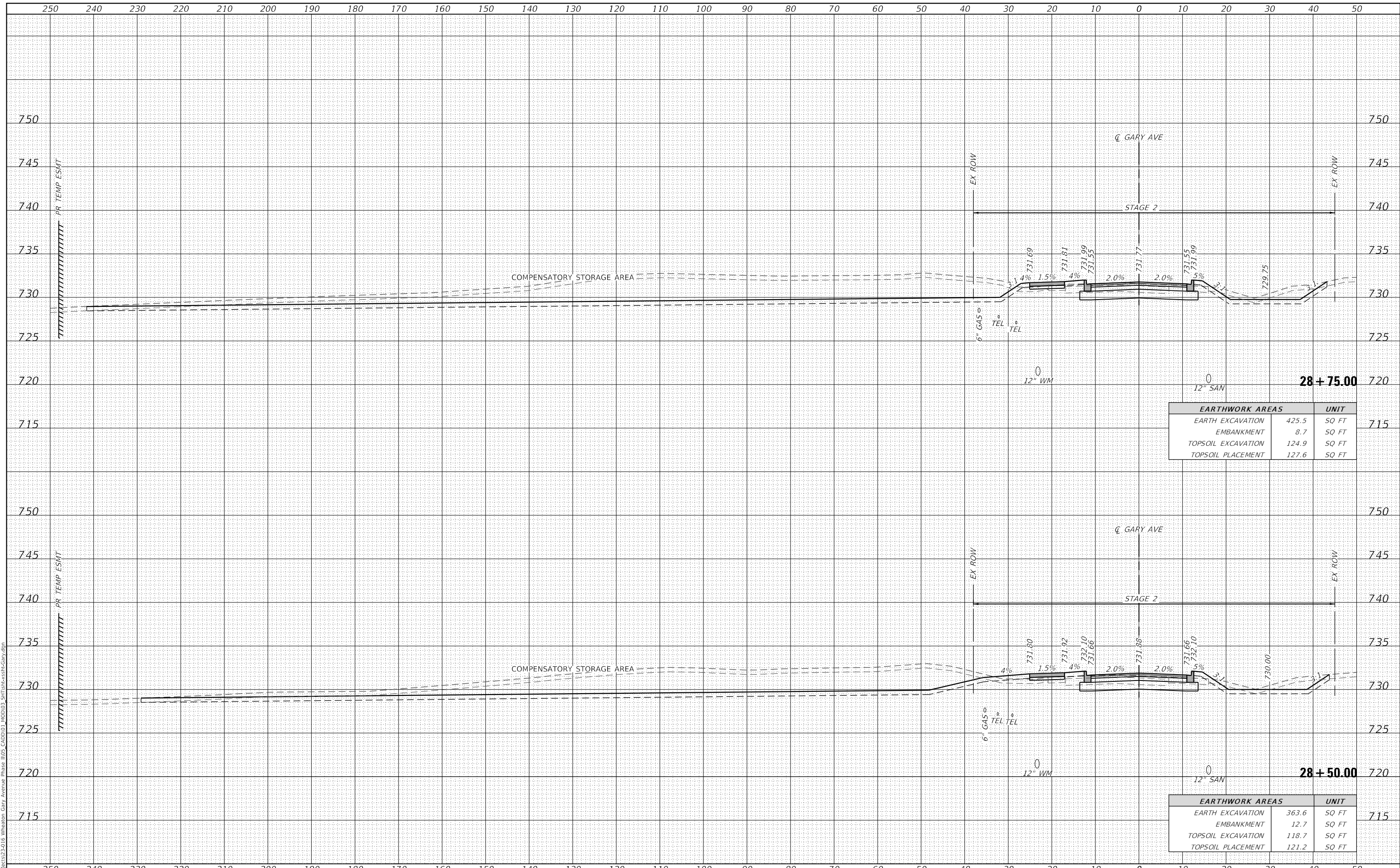
SCALE: 1"=10' SHEET OF SHEETS STA. 28+35.00 TO STA. 28+35.00

F.A.U. RTE.	SECTION	COUNTY	TOTAL SHEETS	SHEET NO.
2561	20-00123-00-PV	DUPAGE	257	236
CONTRACT NO. 61K32				
ILLINOIS FED. AID PROJECT				

DATE	
BY	
FINAL SURVEY	SURVEYED
NOTE BOOK	PLOTTED
NO.	TEMPLATE
	AREAS CHECKED
	AREAS CHECKED

DATE	
BY	
ORIGINAL SURVEY	SURVEYED
NOTE BOOK	PLOTTED
NO.	TEMPLATE
	AREAS CHECKED
	AREAS CHECKED

MODEL: Definit
 FILE NAME: T:\projects\23-016 Wheaton Gary Avenue Phase B\5_CADD\01_00103_SHT\28+50-Gary.dgn



EARTHWORK AREAS		UNIT
EARTH EXCAVATION	425.5	SQ FT
EMBANKMENT	8.7	SQ FT
TOPSOIL EXCAVATION	124.9	SQ FT
TOPSOIL PLACEMENT	127.6	SQ FT

EARTHWORK AREAS		UNIT
EARTH EXCAVATION	363.6	SQ FT
EMBANKMENT	12.7	SQ FT
TOPSOIL EXCAVATION	118.7	SQ FT
TOPSOIL PLACEMENT	121.2	SQ FT



USER NAME = KyleVZ	DESIGNED - KVZ	REVISED -
	DRAWN - JBH	REVISED -
PLOT SCALE = 20.0000' / in.	CHECKED - JMY	REVISED -
PLOT DATE = 2/20/2024	DATE - 02/14/2024	REVISED -

STATE OF ILLINOIS
 DEPARTMENT OF TRANSPORTATION

CROSS SECTIONS
 GARY AVENUE

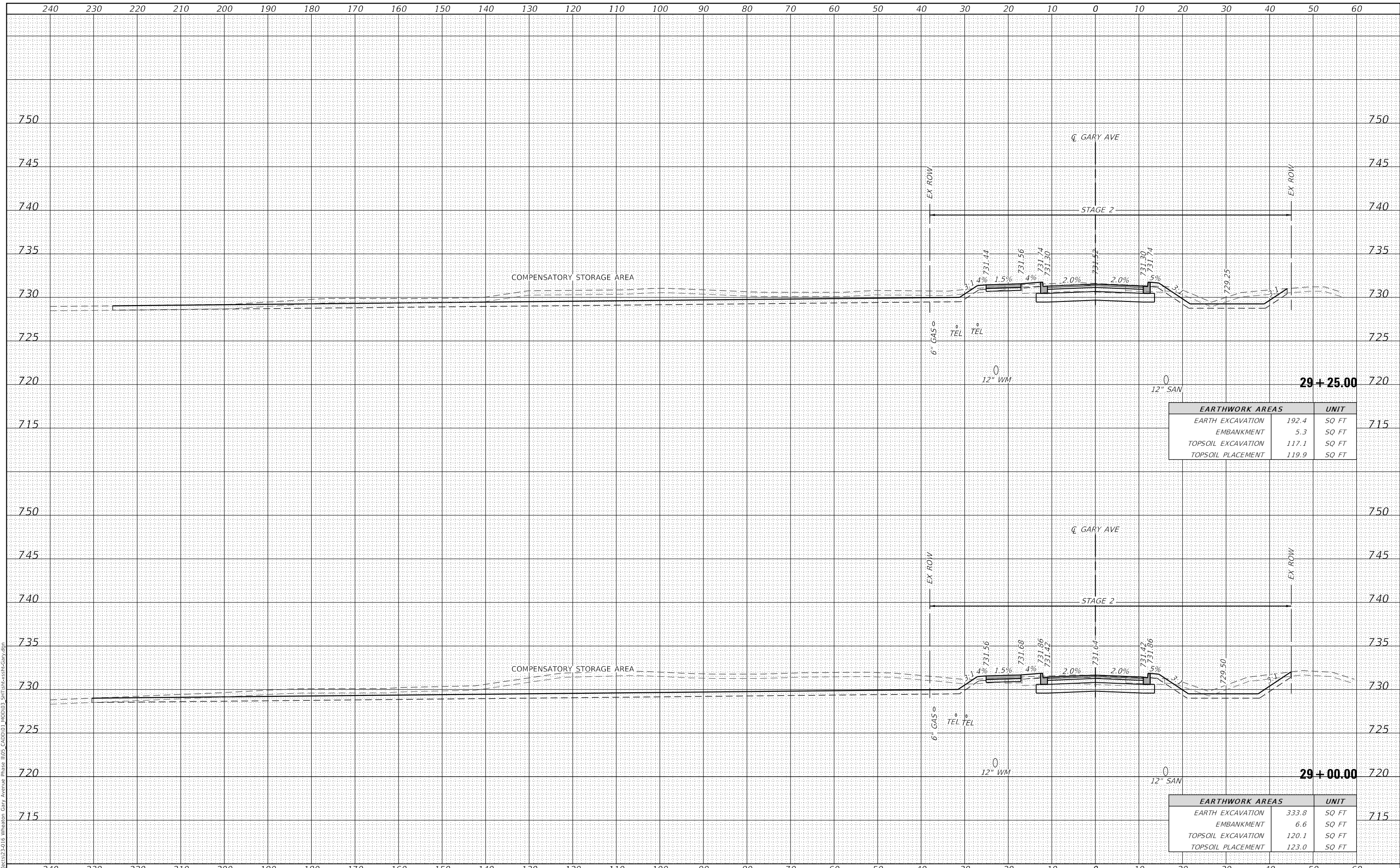
SCALE: 1"=10' SHEET OF SHEETS STA. 28+50.00 TO STA. 28+75.00

F.A.U. RTE.	SECTION	COUNTY	TOTAL SHEETS	SHEET NO.
2561	20-00123-00-PV	DUPAGE	257	237
				CONTRACT NO. 61K32
				ILLINOIS FED. AID PROJECT

DATE	
BY	
FINAL SURVEY	SURVEYED
NOTE BOOK	PLOTTED
NO.	TEMPLATE
	AREAS CHECKED
	AREAS CHECKED

DATE	
BY	
ORIGINAL SURVEY	SURVEYED
NOTE BOOK	PLOTTED
NO.	TEMPLATE
	AREAS CHECKED
	AREAS CHECKED

MODEL: Default
 FILE NAME: T:\projects\23-016 Wheaton Gary Avenue Phase B\5_CADD\01_PLOT\03_SHT\st-ss-2-gary.dgn



EARTHWORK AREAS		UNIT
EARTH EXCAVATION	192.4	SQ FT
EMBANKMENT	5.3	SQ FT
TOPSOIL EXCAVATION	117.1	SQ FT
TOPSOIL PLACEMENT	119.9	SQ FT

EARTHWORK AREAS		UNIT
EARTH EXCAVATION	333.8	SQ FT
EMBANKMENT	6.6	SQ FT
TOPSOIL EXCAVATION	120.1	SQ FT
TOPSOIL PLACEMENT	123.0	SQ FT



USER NAME = KyleVZ	DESIGNED - KVZ	REVISED -
	DRAWN - JBH	REVISED -
PLOT SCALE = 20.0000 ' / in.	CHECKED - JMY	REVISED -
PLOT DATE = 2/20/2024	DATE - 02/14/2024	REVISED -

STATE OF ILLINOIS
 DEPARTMENT OF TRANSPORTATION

CROSS SECTIONS
 GARY AVENUE

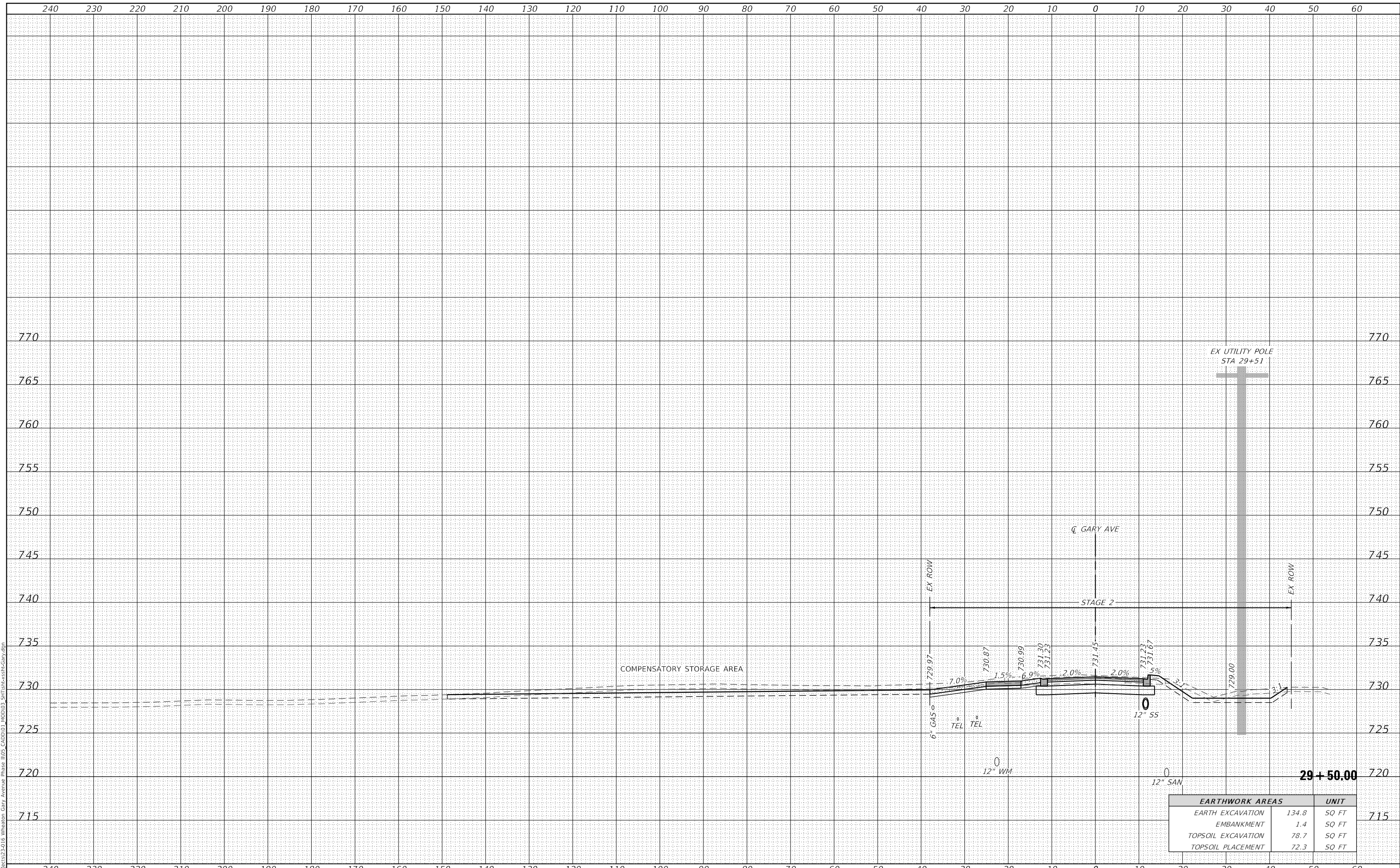
SCALE: 1"=10' SHEET OF SHEETS STA. 29+00.00 TO STA. 29+25.00

F.A.U. RTE.	SECTION	COUNTY	TOTAL SHEETS	SHEET NO.
2561	20-00123-00-PV	DUPAGE	257	238
				CONTRACT NO. 61K32
				ILLINOIS FED. AID PROJECT

FINAL SURVEY NO.	SURVEYED	DATE
NOTE BOOK	PLOTTED	
	TEMPLATE	
	AREAS CHECKED	

ORIGINAL SURVEY NO.	SURVEYED	DATE
	PLOTTED	
	TEMPLATE	
	AREAS CHECKED	

MODEL: Definit
 FILE NAME: T:\projects\23-016 Wheaton Gary Avenue Phase B\5_CADD\01_00\0103_SHT\st-ss-rt-Gary.dgn



EARTHWORK AREAS	UNIT
EARTH EXCAVATION	134.8 SQ FT
EMBANKMENT	1.4 SQ FT
TOPSOIL EXCAVATION	78.7 SQ FT
TOPSOIL PLACEMENT	72.3 SQ FT



USER NAME = KyleVZ	DESIGNED - KVZ	REVISED -
	DRAWN - JBH	REVISED -
PLOT SCALE = 20.0000 ' / in.	CHECKED - JMY	REVISED -
PLOT DATE = 2/20/2024	DATE - 02/14/2024	REVISED -

STATE OF ILLINOIS
 DEPARTMENT OF TRANSPORTATION

CROSS SECTIONS
 GARY AVENUE

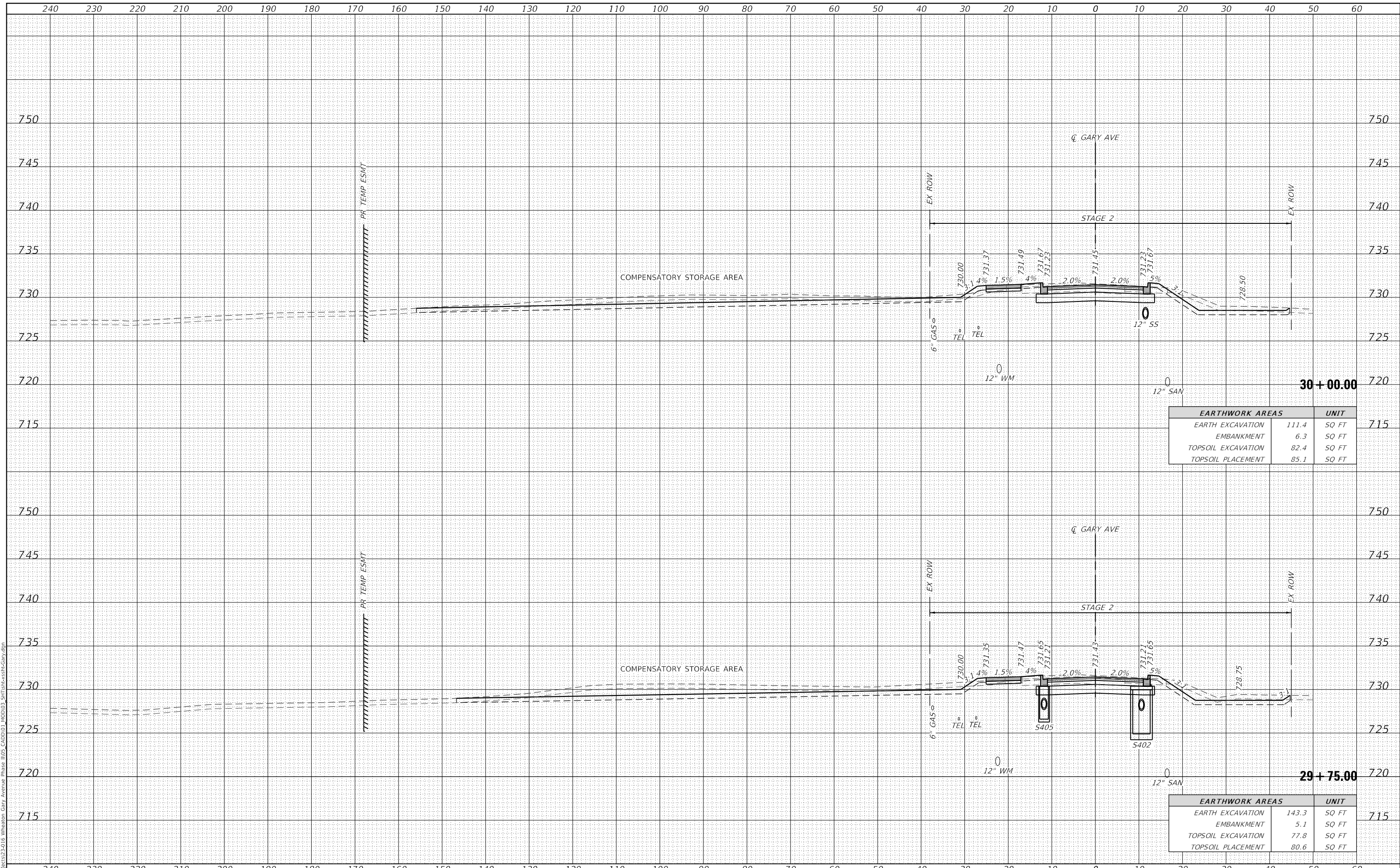
SCALE: 1"=10' SHEET OF SHEETS STA. 29+50.00 TO STA. 29+50.00

F.A.U. RTE.	SECTION	COUNTY	TOTAL SHEETS	SHEET NO.
2561	20-00123-00-PV	DUPAGE	257	239
CONTRACT NO. 61K32				
ILLINOIS FED. AID PROJECT				

DATE	
BY	
SURVEYED	
PLOTTED	
TEMPLATE	
AREAS CHECKED	
FINAL SURVEY	
NOTE BOOK	
NO.	
AREAS CHECKED	

DATE	
BY	
SURVEYED	
PLOTTED	
TEMPLATE	
AREAS CHECKED	
ORIGINAL SURVEY	
NOTE BOOK	
NO.	
AREAS CHECKED	

MODEL: Definit
 FILE NAME: T:\projects\23-016 Wheaton Gary Avenue Phase B\55_CADD\01_00103_SHT\st-ss-3-16-gary.dgn



EARTHWORK AREAS	UNIT
EARTH EXCAVATION	111.4 SQ FT
EMBANKMENT	6.3 SQ FT
TOPSOIL EXCAVATION	82.4 SQ FT
TOPSOIL PLACEMENT	85.1 SQ FT

EARTHWORK AREAS	UNIT
EARTH EXCAVATION	143.3 SQ FT
EMBANKMENT	5.1 SQ FT
TOPSOIL EXCAVATION	77.8 SQ FT
TOPSOIL PLACEMENT	80.6 SQ FT



USER NAME = KyleVZ	DESIGNED - KVZ	REVISED -
	DRAWN - JBH	REVISED -
PLOT SCALE = 20.0000' / in.	CHECKED - JMY	REVISED -
PLOT DATE = 2/20/2024	DATE - 02/14/2024	REVISED -

STATE OF ILLINOIS
 DEPARTMENT OF TRANSPORTATION

CROSS SECTIONS
 GARY AVENUE

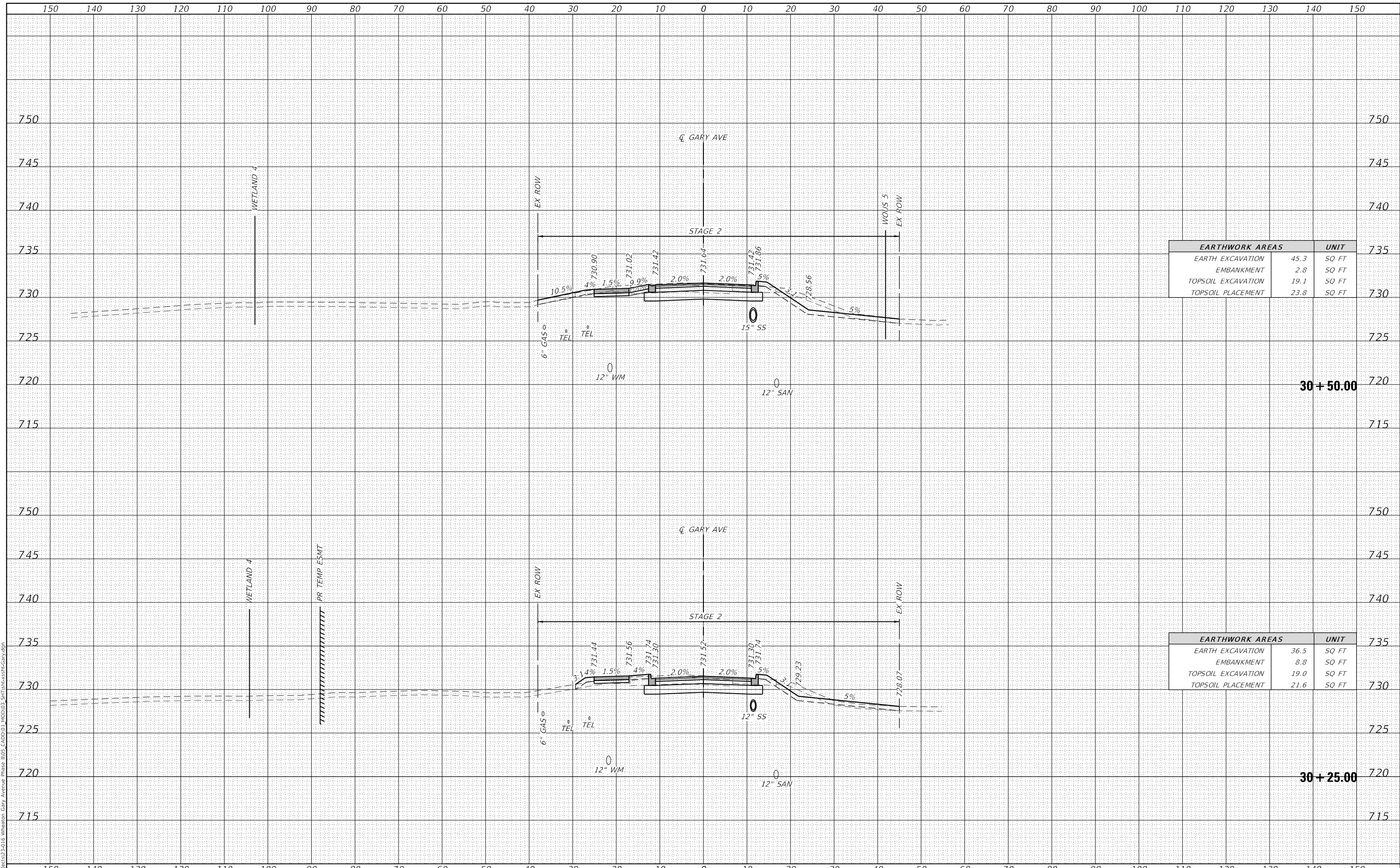
SCALE: 1"=10' SHEET OF SHEETS STA. 29+75.00 TO STA. 30+00.00

F.A.U. RTE.	SECTION	COUNTY	TOTAL SHEETS	SHEET NO.
2561	20-00123-00-PV	DUPAGE	257	240
CONTRACT NO. 61K32			ILLINOIS FED. AID PROJECT	

DATE	
BY	
FINAL SURVEY	SURVEYED
NOTE BOOK	PLOTTED
NO.	TEMPLATE
	AREAS CHECKED
	AREAS CHECKED

DATE	
BY	
ORIGINAL SURVEY	SURVEYED
NOTE BOOK	PLOTTED
NO.	TEMPLATE
	AREAS CHECKED
	AREAS CHECKED

MODEL: Definit
 FILE NAME: T:\Projects\23-016 Wheaton Gary Avenue Phase 105_CADD\105_0103_SHT\stg-ss-gary.dgn



EARTHWORK AREAS		UNIT
EARTH EXCAVATION	45.3	SQ FT
EMBANKMENT	2.8	SQ FT
TOPSOIL EXCAVATION	19.1	SQ FT
TOPSOIL PLACEMENT	23.8	SQ FT

EARTHWORK AREAS		UNIT
EARTH EXCAVATION	36.5	SQ FT
EMBANKMENT	8.8	SQ FT
TOPSOIL EXCAVATION	19.0	SQ FT
TOPSOIL PLACEMENT	21.6	SQ FT



USER NAME = KyleVZ	DESIGNED - KVZ	REVISED -
	DRAWN - JBH	REVISED -
PLOT SCALE = 20.0000 ' / in.	CHECKED - JMY	REVISED -
PLOT DATE = 2/20/2024	DATE - 02/14/2024	REVISED -

**STATE OF ILLINOIS
 DEPARTMENT OF TRANSPORTATION**

**CROSS SECTIONS
 GARY AVENUE**

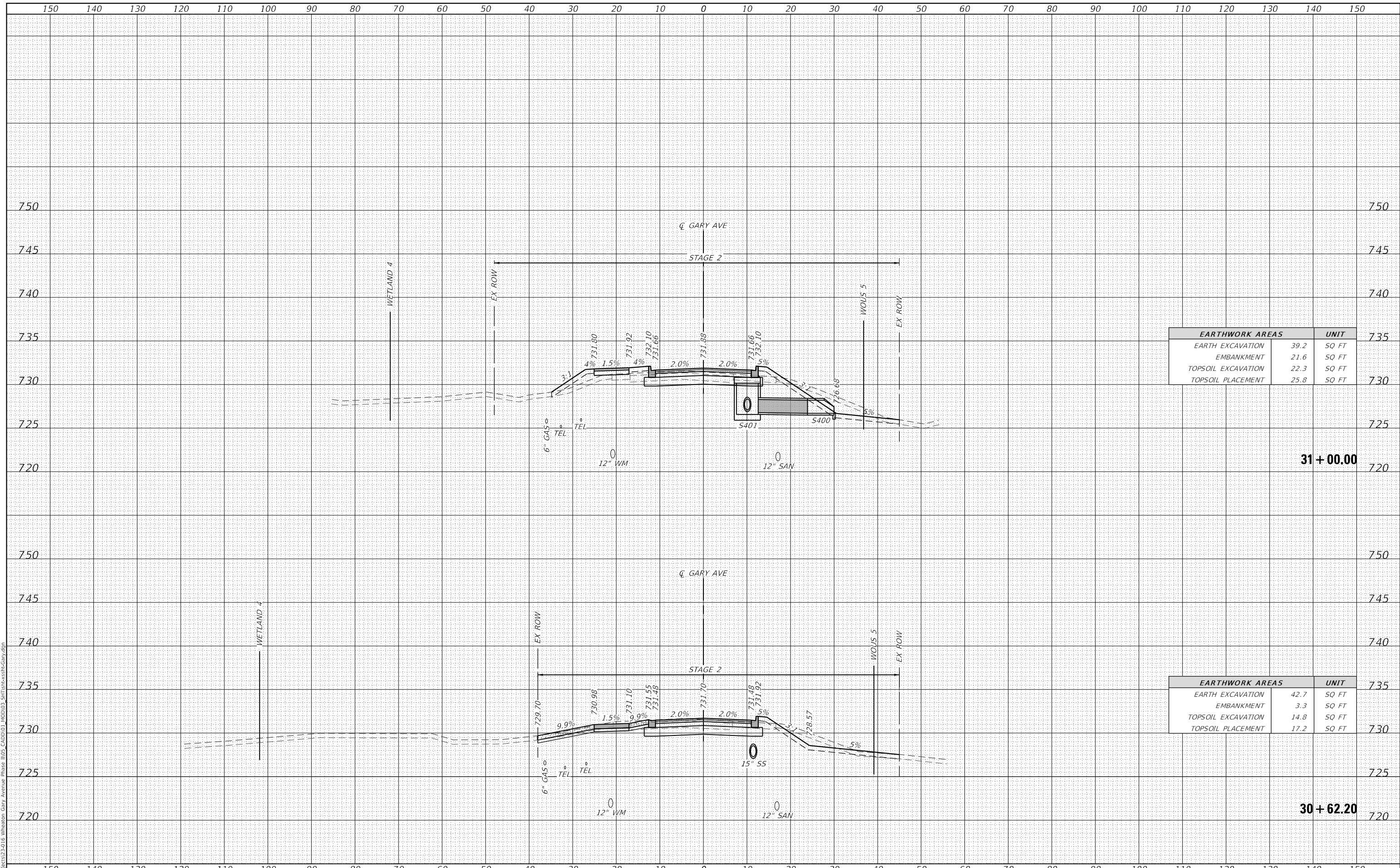
SCALE: 1"=10' SHEET OF SHEETS STA. 30+25.00 TO STA. 30+50.00

F.A.U. RTE.	SECTION	COUNTY	TOTAL SHEETS	SHEET NO.
2561	20-00123-00-PV	DUPAGE	257	241
CONTRACT NO. 61K32			ILLINOIS FED. AID PROJECT	

DATE	
BY	
FINAL SURVEY	SURVEYED
NOTE BOOK	PLOTTED
NO.	TEMPLATE
	AREAS CHECKED
	AREAS CHECKED

DATE	
BY	
ORIGINAL SURVEY	SURVEYED
NOTE BOOK	PLOTTED
NO.	TEMPLATE
	AREAS CHECKED
	AREAS CHECKED

MODEL: Default
 FILE NAME: T:\projects\23-016 Wheaton Gary Avenue Phase 105_CADD\105_0103_SHT\st-ss-31-Gary.dgn



EARTHWORK AREAS		UNIT
EARTH EXCAVATION	39.2	SQ FT
EMBANKMENT	21.6	SQ FT
TOPSOIL EXCAVATION	22.3	SQ FT
TOPSOIL PLACEMENT	25.8	SQ FT

EARTHWORK AREAS		UNIT
EARTH EXCAVATION	42.7	SQ FT
EMBANKMENT	3.3	SQ FT
TOPSOIL EXCAVATION	14.8	SQ FT
TOPSOIL PLACEMENT	17.2	SQ FT



USER NAME = KyleVZ	DESIGNED - KVZ	REVISED -
	DRAWN - JBH	REVISED -
PLOT SCALE = 20.0000 ' / in.	CHECKED - JMY	REVISED -
PLOT DATE = 2/20/2024	DATE - 02/14/2024	REVISED -

STATE OF ILLINOIS
 DEPARTMENT OF TRANSPORTATION

CROSS SECTIONS
 GARY AVENUE

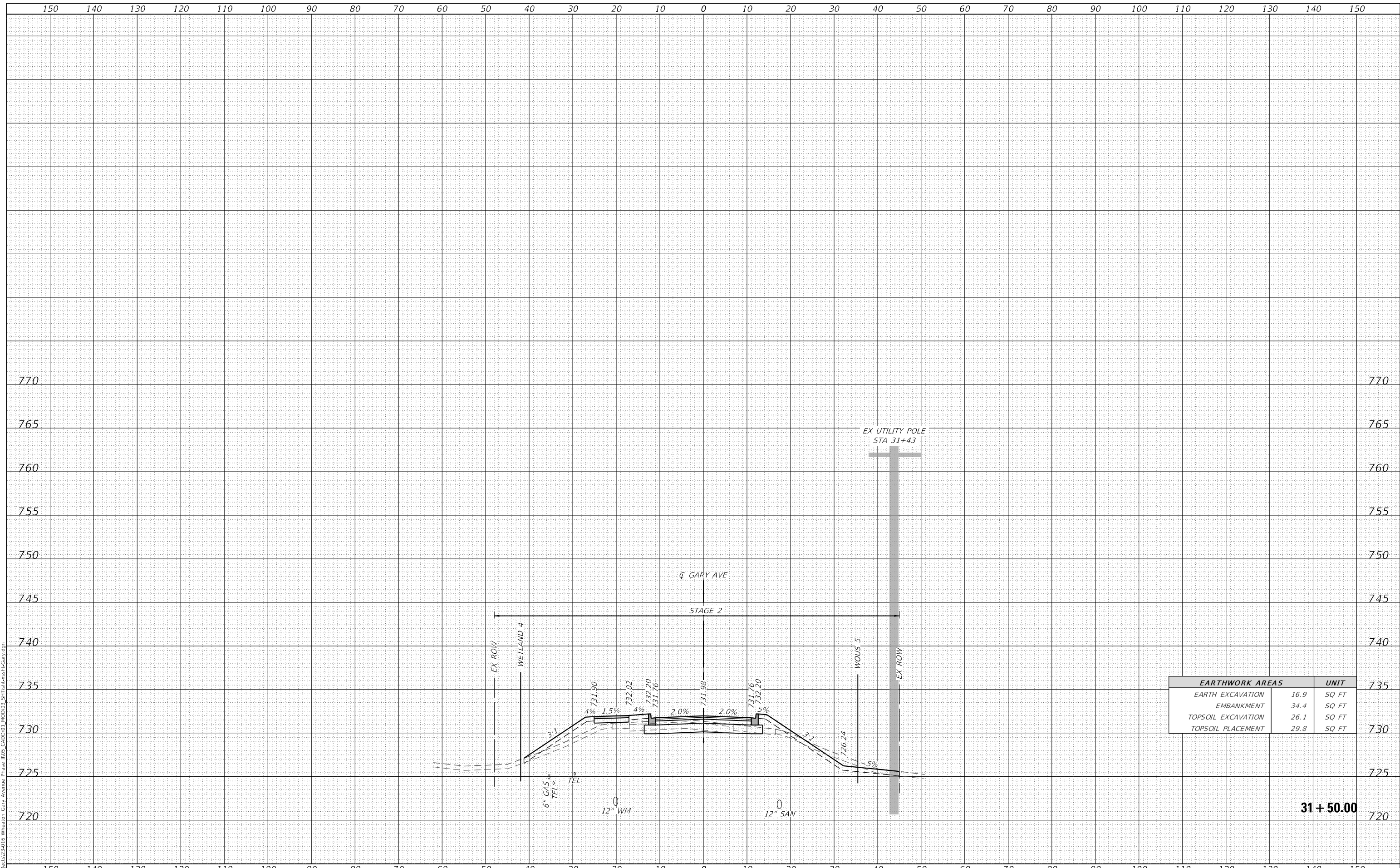
SCALE: 1"=10' SHEET OF SHEETS STA. 30+62.20 TO STA. 31+00.00

F.A.U. RTE.	SECTION	COUNTY	TOTAL SHEETS	SHEET NO.
2561	20-00123-00-PV	DUPAGE	257	242
				CONTRACT NO. 61K32
				ILLINOIS FED. AID PROJECT

DATE	
BY	
FINAL SURVEY	SURVEYED
NOTE BOOK	PLOTTED
NO.	TEMPLATE
	AREAS CHECKED

DATE	
BY	
ORIGINAL SURVEY	SURVEYED
NOTE BOOK	PLOTTED
NO.	TEMPLATE
	AREAS CHECKED

MODEL: Default
 FILE NAME: T:\Projects\23-016 Wheaton Gary Avenue Phase 105_CADD\01_100103_SHT\stn-x-31+50-Gary.dgn



EARTHWORK AREAS	UNIT
EARTH EXCAVATION	16.9 SQ FT
EMBANKMENT	34.4 SQ FT
TOPSOIL EXCAVATION	26.1 SQ FT
TOPSOIL PLACEMENT	29.8 SQ FT



USER NAME = KyleVZ	DESIGNED - KVZ	REVISED -
	DRAWN - JBH	REVISED -
PLOT SCALE = 20.0000' / in.	CHECKED - JMY	REVISED -
PLOT DATE = 2/20/2024	DATE - 02/14/2024	REVISED -

STATE OF ILLINOIS
 DEPARTMENT OF TRANSPORTATION

CROSS SECTIONS
 GARY AVENUE

SCALE: 1"=10' SHEET OF SHEETS STA. 31+50.00 TO STA. 31+50.00

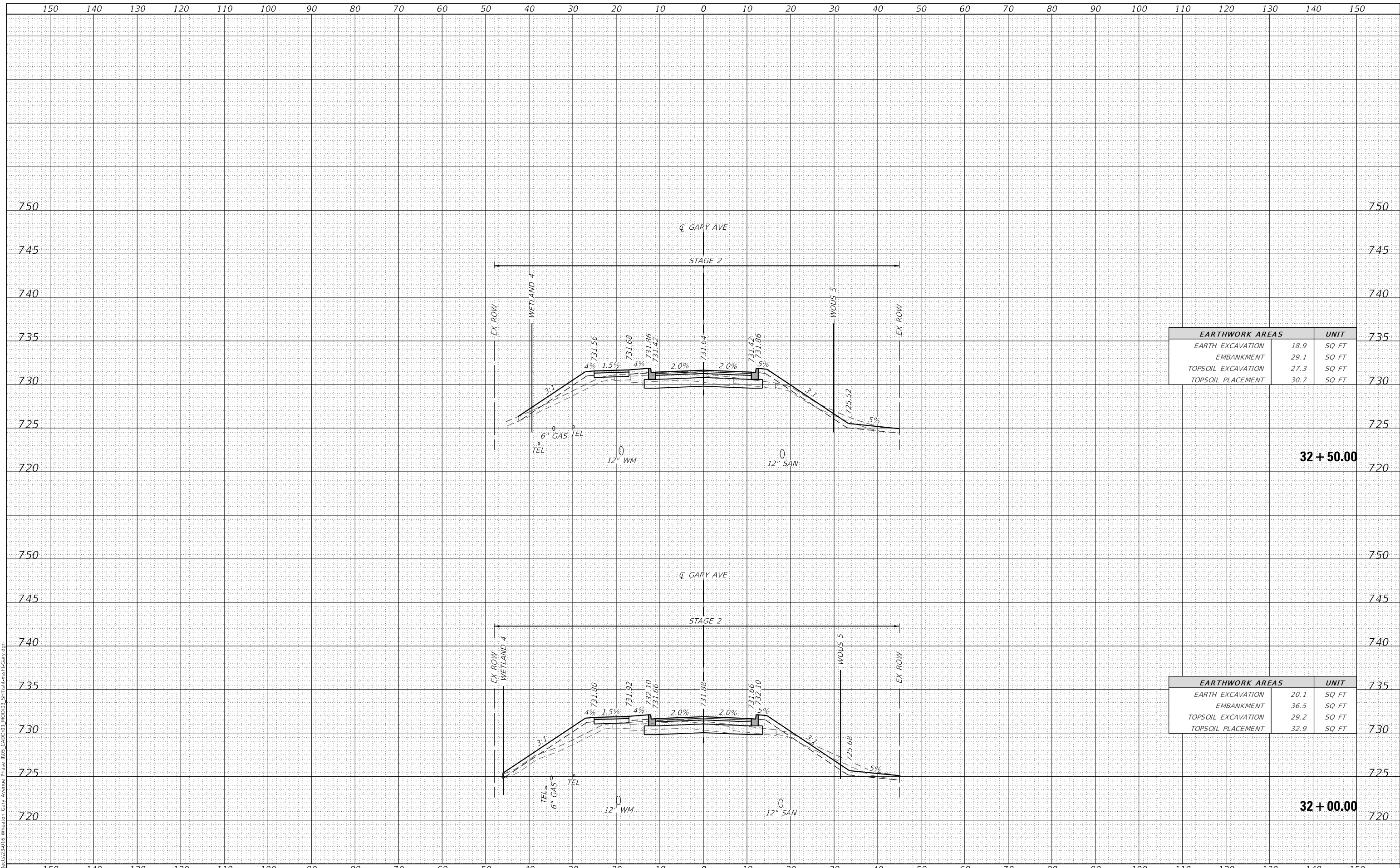
F.A.U. RTE.	SECTION	COUNTY	TOTAL SHEETS	SHEET NO.
2561	20-00123-00-PV	DUPAGE	257	243
CONTRACT NO. 61K32				

ILLINOIS FED. AID PROJECT

DATE	
BY	
FINAL SURVEY	SURVEYED
NOTE BOOK	PLOTTED
NO.	TEMPLATE
	AREAS CHECKED

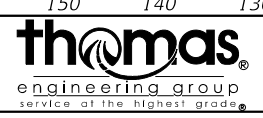
DATE	
BY	
ORIGINAL SURVEY	SURVEYED
NOTE BOOK	PLOTTED
NO.	TEMPLATE
	AREAS CHECKED

MODEL: Default
 FILE NAME: T:\Projects\32-016 Wheaton Gary Avenue\32-016_Wheaton Gary Avenue\32-016_SHT\32-016_SHT-Exc-Gary.dgn



EARTHWORK AREAS		UNIT
EARTH EXCAVATION	18.9	SQ FT
EMBANKMENT	29.1	SQ FT
TOPSOIL EXCAVATION	27.3	SQ FT
TOPSOIL PLACEMENT	30.7	SQ FT

EARTHWORK AREAS		UNIT
EARTH EXCAVATION	20.1	SQ FT
EMBANKMENT	36.5	SQ FT
TOPSOIL EXCAVATION	29.2	SQ FT
TOPSOIL PLACEMENT	32.9	SQ FT



USER NAME = KyleVZ	DESIGNED - KVZ	REVISED -
	DRAWN - JBH	REVISED -
PLOT SCALE = 20.0000' / in.	CHECKED - JMY	REVISED -
PLOT DATE = 2/20/2024	DATE - 02/14/2024	REVISED -

STATE OF ILLINOIS
 DEPARTMENT OF TRANSPORTATION

CROSS SECTIONS
 GARY AVENUE

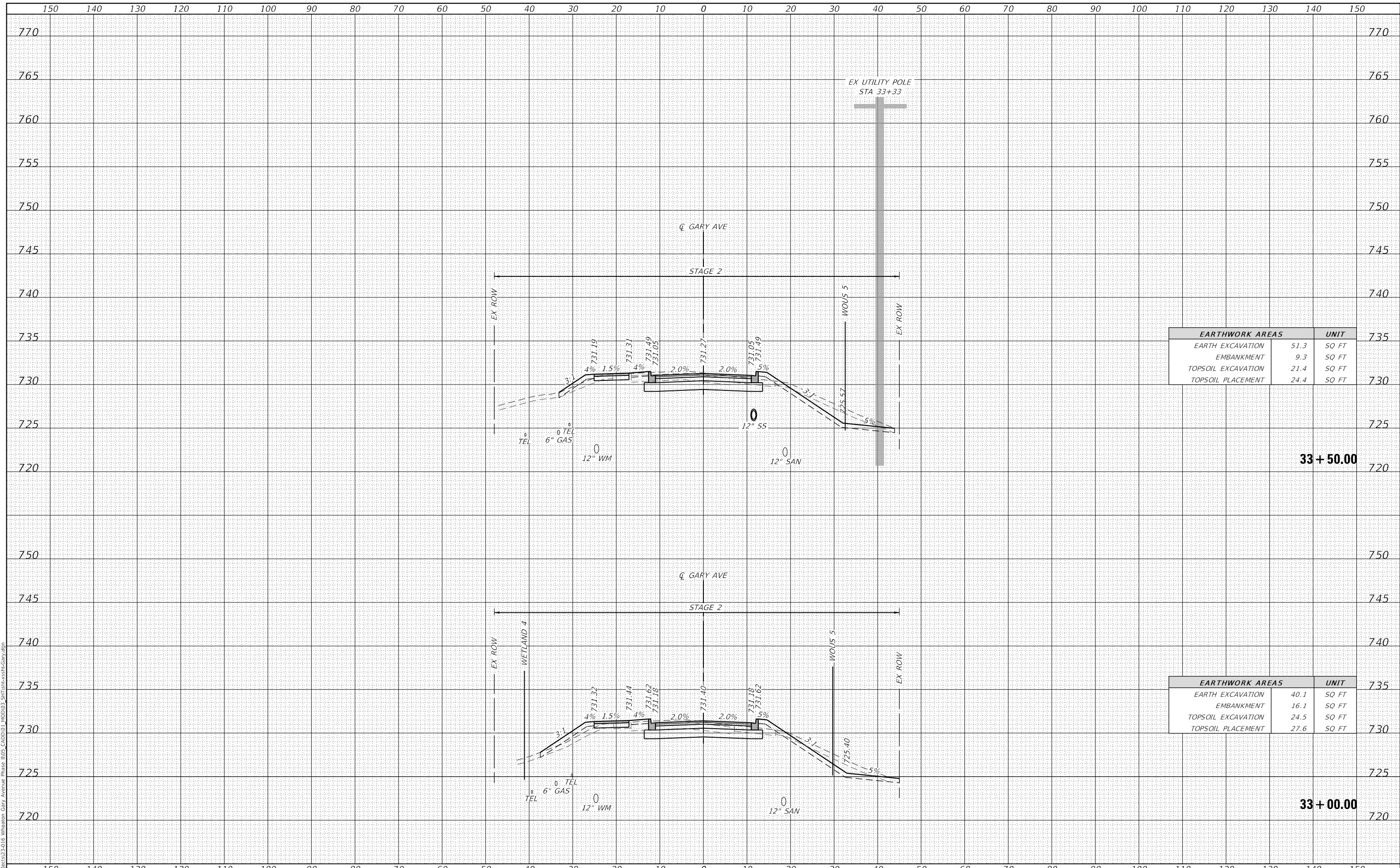
SCALE: 1"=10' SHEET OF SHEETS STA. 32+00.00 TO STA. 32+50.00

F.A.U. RTE.	SECTION	COUNTY	TOTAL SHEETS	SHEET NO.
2561	20-00123-00-PV	DUPAGE	257	244
CONTRACT NO. 61K32			ILLINOIS FED. AID PROJECT	

DATE	
BY	
FINAL SURVEY	SURVEYED
NOTE BOOK	PLOTTED
NO.	TEMPLATE
	AREAS CHECKED

DATE	
BY	
ORIGINAL SURVEY	SURVEYED
NOTE BOOK	PLOTTED
NO.	TEMPLATE
	AREAS CHECKED

MODEL: Default
 FILE NAME: T:\projects\23-016 Wheaton Gary Avenue Phase 105_CADD\105_0003_SHT\stn-x-33+50.gbd



EARTHWORK AREAS		UNIT
EARTH EXCAVATION	51.3	SQ FT
EMBANKMENT	9.3	SQ FT
TOPSOIL EXCAVATION	21.4	SQ FT
TOPSOIL PLACEMENT	24.4	SQ FT

EARTHWORK AREAS		UNIT
EARTH EXCAVATION	40.1	SQ FT
EMBANKMENT	16.1	SQ FT
TOPSOIL EXCAVATION	24.5	SQ FT
TOPSOIL PLACEMENT	27.6	SQ FT



USER NAME = KyleVZ	DESIGNED - KVZ	REVISED -
	DRAWN - JBH	REVISED -
PLOT SCALE = 20.0000' / in.	CHECKED - JMY	REVISED -
PLOT DATE = 2/20/2024	DATE - 02/14/2024	REVISED -

STATE OF ILLINOIS
 DEPARTMENT OF TRANSPORTATION

CROSS SECTIONS
 GARY AVENUE

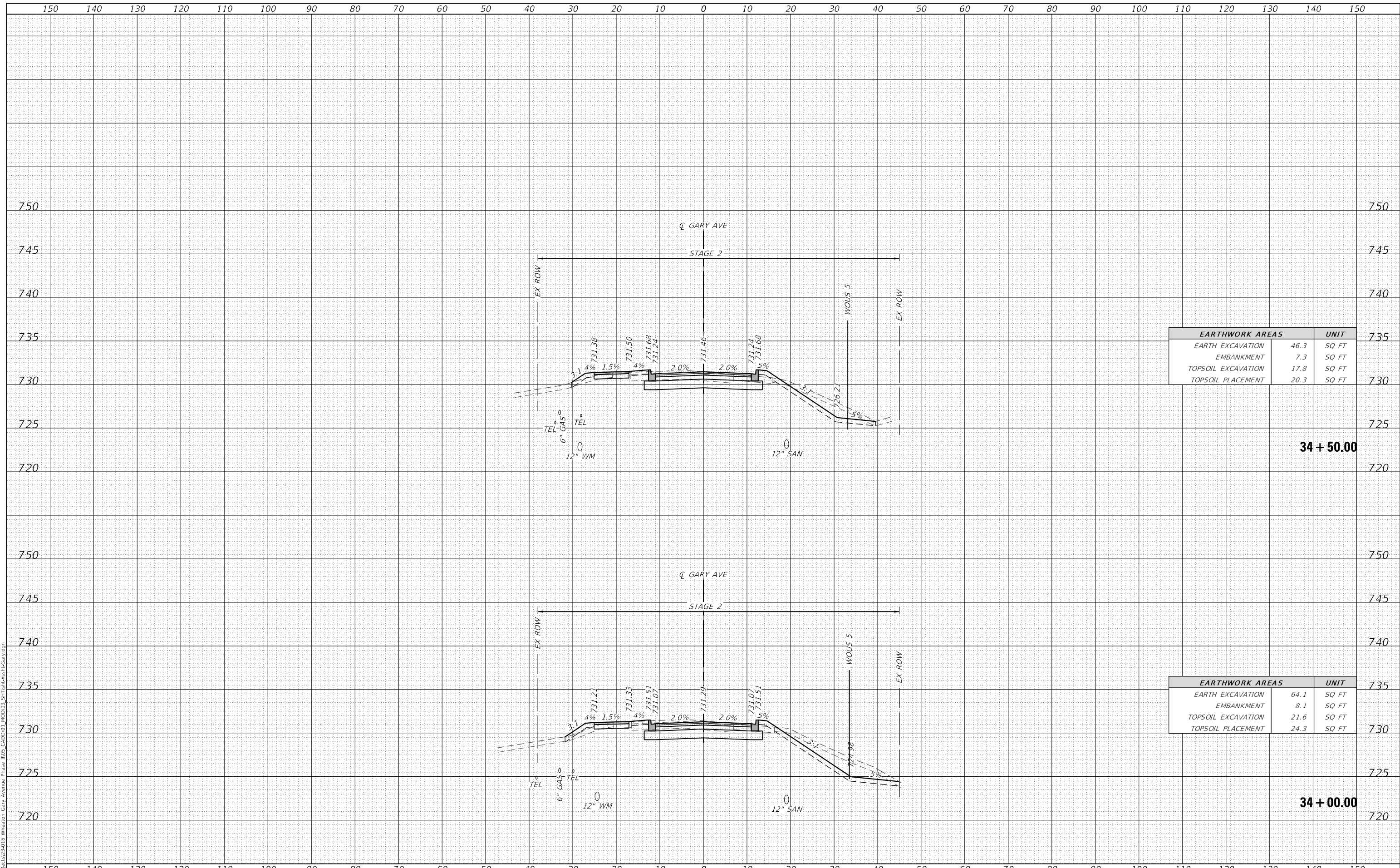
SCALE: 1"=10' SHEET OF SHEETS STA. 33+00.00 TO STA. 33+50.00

F.A.U. RTE.	SECTION	COUNTY	TOTAL SHEETS	SHEET NO.
2561	20-00123-00-PV	DUPAGE	257	245
				CONTRACT NO. 61K32
				ILLINOIS FED. AID PROJECT

DATE	
BY	
FINAL SURVEY	SURVEYED
NOTE BOOK	PLOTTED
NO.	TEMPLATE
	AREAS CHECKED

DATE	
BY	
ORIGINAL SURVEY	SURVEYED
NOTE BOOK	PLOTTED
NO.	TEMPLATE
	AREAS CHECKED

MODEL: Default
 FILE NAME: T:\projects\23-016 Wheaton Gary Avenue Phase 105_CADD\105_00103_SHT\stg-sslt-Gary.dgn



EARTHWORK AREAS		UNIT
EARTH EXCAVATION	46.3	SQ FT
EMBANKMENT	7.3	SQ FT
TOPSOIL EXCAVATION	17.8	SQ FT
TOPSOIL PLACEMENT	20.3	SQ FT

EARTHWORK AREAS		UNIT
EARTH EXCAVATION	64.1	SQ FT
EMBANKMENT	8.1	SQ FT
TOPSOIL EXCAVATION	21.6	SQ FT
TOPSOIL PLACEMENT	24.3	SQ FT



USER NAME = KyleVZ	DESIGNED - KVZ	REVISED -
	DRAWN - JBH	REVISED -
PLOT SCALE = 20.0000' / in.	CHECKED - JMY	REVISED -
PLOT DATE = 2/20/2024	DATE - 02/14/2024	REVISED -

**STATE OF ILLINOIS
 DEPARTMENT OF TRANSPORTATION**

**CROSS SECTIONS
 GARY AVENUE**

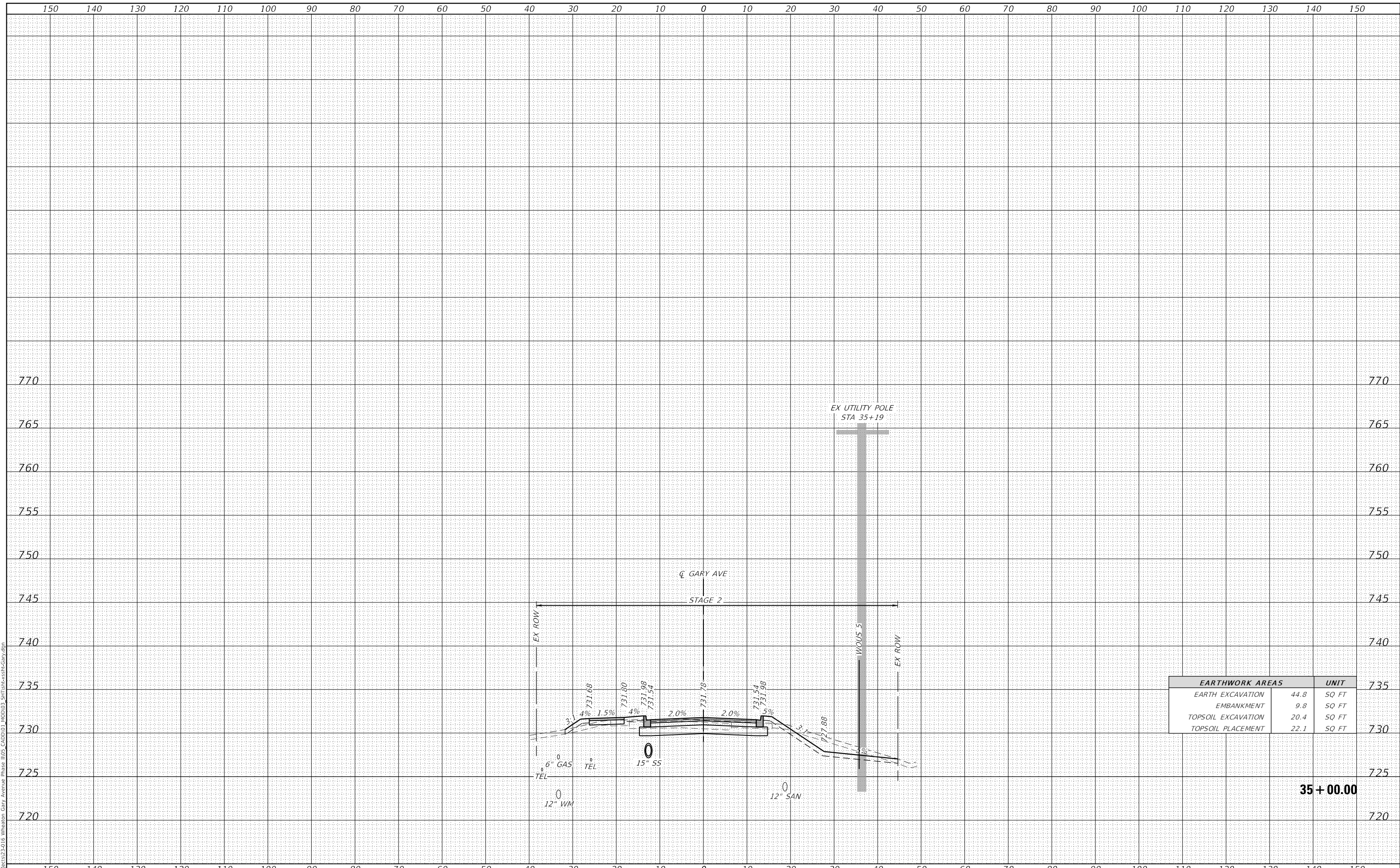
SCALE: 1"=10' SHEET OF SHEETS STA. 34+00.00 TO STA. 34+50.00

F.A.U. RTE.	SECTION	COUNTY	TOTAL SHEETS	SHEET NO.
2561	20-00123-00-PV	DUPAGE	257	246
				CONTRACT NO. 61K32
				ILLINOIS FED. AID PROJECT

DATE	
BY	
FINAL SURVEY	SURVEYED
NOTE BOOK	PLOTTED
NO.	TEMPLATE
	AREAS CHECKED

DATE	
BY	
ORIGINAL SURVEY	SURVEYED
NOTE BOOK	PLOTTED
NO.	TEMPLATE
	AREAS CHECKED

MODEL: Default
 FILE NAME: T:\Projects\23-016 Wheaton Gary Avenue Phase 105_CADD\105_0003_SHT\stn-x-35+00-Gary.dgn



EARTHWORK AREAS	UNIT
EARTH EXCAVATION	44.8 SQ FT
EMBANKMENT	9.8 SQ FT
TOPSOIL EXCAVATION	20.4 SQ FT
TOPSOIL PLACEMENT	22.1 SQ FT

35 + 00.00



USER NAME = KyleVZ	DESIGNED - KVZ	REVISED -
	DRAWN - JBH	REVISED -
PLOT SCALE = 20.0000' / in.	CHECKED - JMY	REVISED -
PLOT DATE = 2/20/2024	DATE - 02/14/2024	REVISED -

STATE OF ILLINOIS
 DEPARTMENT OF TRANSPORTATION

CROSS SECTIONS
 GARY AVENUE

SCALE: 1"=10' SHEET OF SHEETS STA. 35+00.00 TO STA. 35+00.00

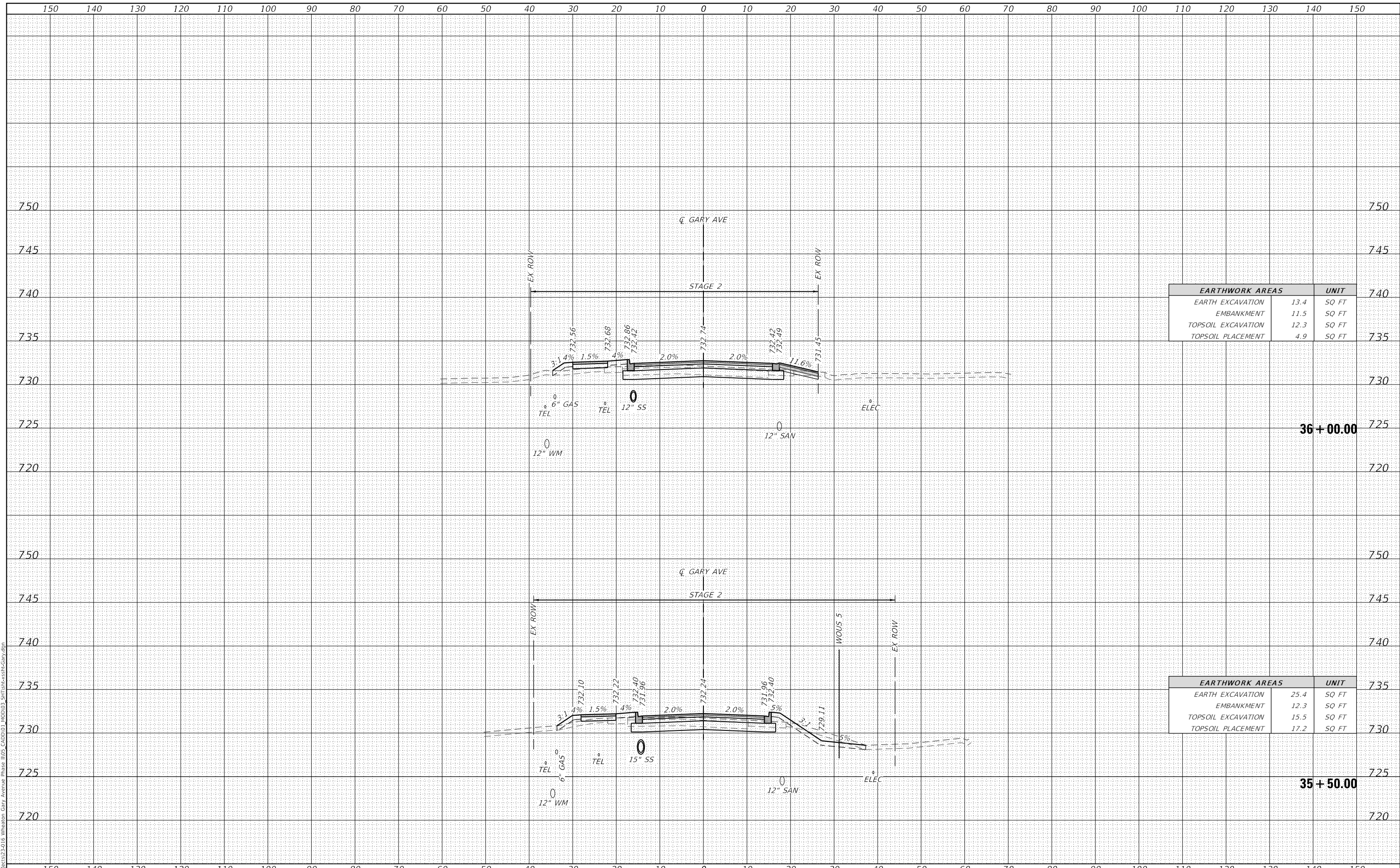
F.A.U. RTE.	SECTION	COUNTY	TOTAL SHEETS	SHEET NO.
2561	20-00123-00-PV	DUPAGE	257	247
CONTRACT NO. 61K32				

ILLINOIS FED. AID PROJECT

DATE	
BY	
FINAL SURVEY	SURVEYED
NOTE BOOK	PLOTTED
NO.	TEMPLATE
	AREAS CHECKED

DATE	
BY	
ORIGINAL SURVEY	SURVEYED
NOTE BOOK	PLOTTED
NO.	TEMPLATE
	AREAS CHECKED

MODEL: Default
FILE NAME: T:\Projects\23-016 Wheaton Gary Avenue Phase 105_CADD\105_0003_SHT\st-ss-2-gary.dgn



EARTHWORK AREAS	UNIT
EARTH EXCAVATION	13.4 SQ FT
EMBANKMENT	11.5 SQ FT
TOPSOIL EXCAVATION	12.3 SQ FT
TOPSOIL PLACEMENT	4.9 SQ FT

EARTHWORK AREAS	UNIT
EARTH EXCAVATION	25.4 SQ FT
EMBANKMENT	12.3 SQ FT
TOPSOIL EXCAVATION	15.5 SQ FT
TOPSOIL PLACEMENT	17.2 SQ FT



USER NAME = KyleVZ	DESIGNED - KVZ	REVISED -
	DRAWN - JBH	REVISED -
PLOT SCALE = 20.0000' / in.	CHECKED - JMY	REVISED -
PLOT DATE = 2/20/2024	DATE - 02/14/2024	REVISED -

STATE OF ILLINOIS
DEPARTMENT OF TRANSPORTATION

CROSS SECTIONS
GARY AVENUE

SCALE: 1"=10' SHEET OF SHEETS STA. 35+50.00 TO STA. 36+00.00

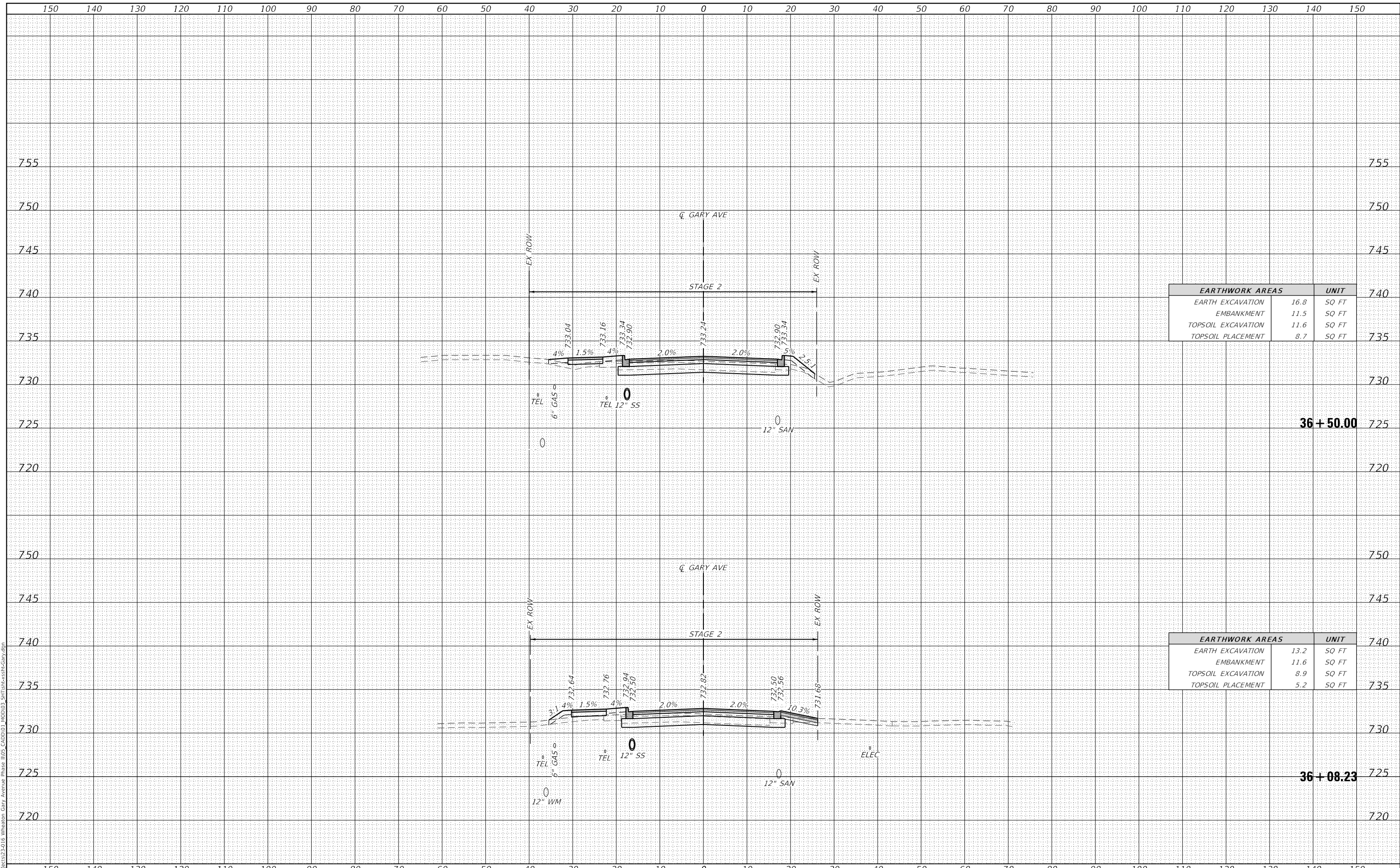
F.A.U. RTE.	SECTION	COUNTY	TOTAL SHEETS	SHEET NO.
2561	20-00123-00-PV	DUPAGE	257	248
CONTRACT NO. 61K32				

ILLINOIS FED. AID PROJECT

DATE	
BY	
FINAL SURVEY	SURVEYED
NOTE BOOK	PLOTTED
NO.	TEMPLATE
	AREAS CHECKED

DATE	
BY	
ORIGINAL SURVEY	SURVEYED
NOTE BOOK	PLOTTED
NO.	TEMPLATE
	AREAS CHECKED

MODEL: Default
FILE NAME: T:\Projects\23-016 Wheaton Gary Avenue Phase 105_CADD\105_0103_SHT\st-ss-gary.dgn



EARTHWORK AREAS	UNIT
EARTH EXCAVATION	16.8 SQ FT
EMBANKMENT	11.5 SQ FT
TOPSOIL EXCAVATION	11.6 SQ FT
TOPSOIL PLACEMENT	8.7 SQ FT

EARTHWORK AREAS	UNIT
EARTH EXCAVATION	13.2 SQ FT
EMBANKMENT	11.6 SQ FT
TOPSOIL EXCAVATION	8.9 SQ FT
TOPSOIL PLACEMENT	5.2 SQ FT



USER NAME = KyleVZ	DESIGNED - KVZ	REVISED -
	DRAWN - JBH	REVISED -
PLOT SCALE = 20.0000 ' / in.	CHECKED - JMY	REVISED -
PLOT DATE = 2/20/2024	DATE - 02/14/2024	REVISED -

STATE OF ILLINOIS
DEPARTMENT OF TRANSPORTATION

CROSS SECTIONS
GARY AVENUE

SCALE: 1"=10' SHEET OF SHEETS STA. 36+08.23 TO STA. 36+50.00

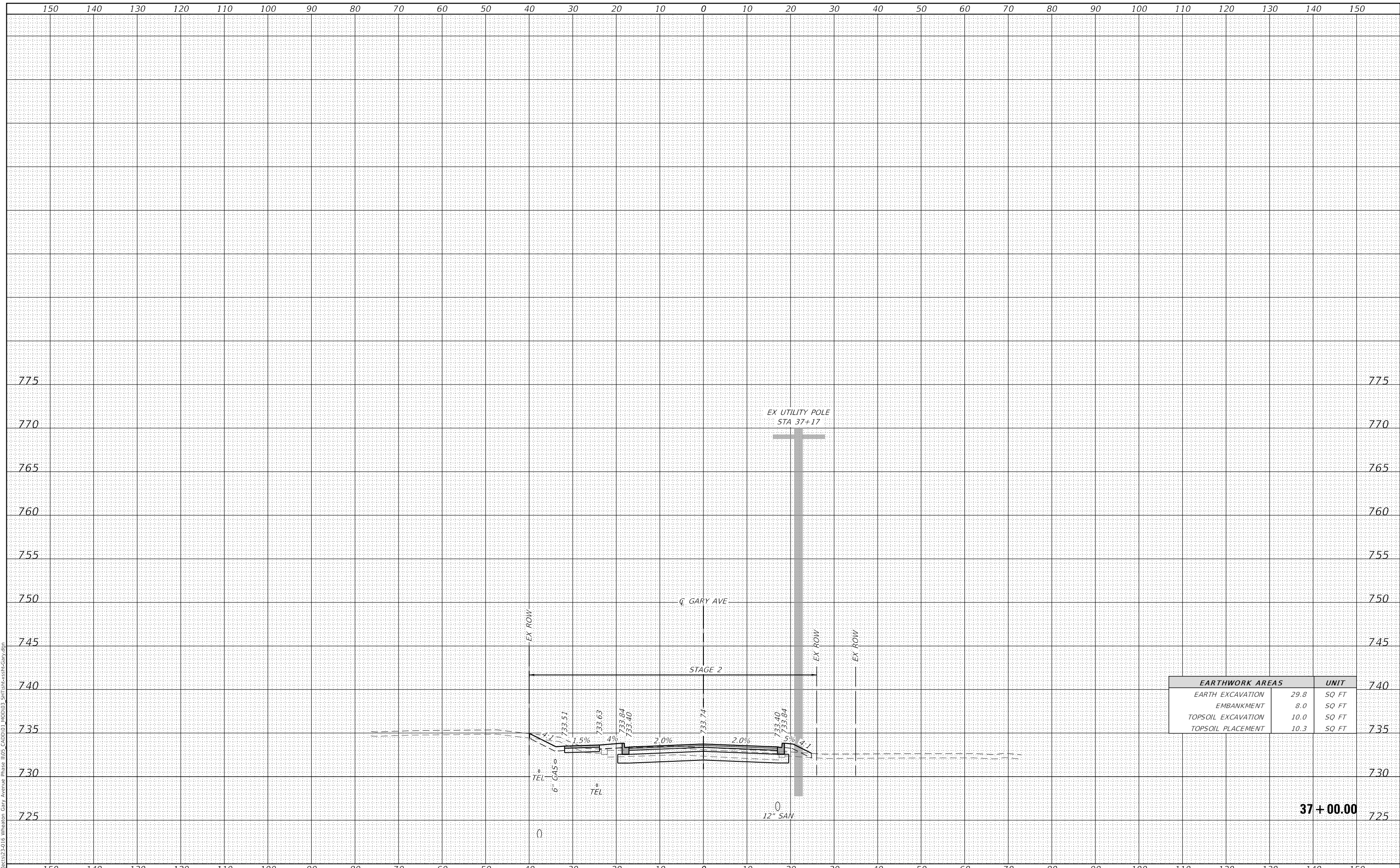
F.A.U. RTE.	SECTION	COUNTY	TOTAL SHEETS	SHEET NO.
2561	20-00123-00-PV	DUPAGE	257	249
CONTRACT NO. 61K32				

ILLINOIS FED. AID PROJECT

FINAL SURVEY NO.	SURVEYED	DATE
NOTE BOOK	PLOTTED	
	TEMPLATE	
	AREAS CHECKED	

ORIGINAL SURVEY NO.	SURVEYED	DATE
NOTE BOOK	PLOTTED	
	TEMPLATE	
	AREAS CHECKED	

MODEL: Default
FILE NAME: T:\projects\23-016 Wheaton Gary Avenue Phase I\B5_CADD\01_001013_SHT\stn-x-37-Gary.dgn



EARTHWORK AREAS	UNIT
EARTH EXCAVATION	29.8 SQ FT
EMBANKMENT	8.0 SQ FT
TOPSOIL EXCAVATION	10.0 SQ FT
TOPSOIL PLACEMENT	10.3 SQ FT

37 + 00.00



USER NAME = KyleVZ	DESIGNED - KVZ	REVISED -
	DRAWN - JBH	REVISED -
PLOT SCALE = 20.0000' / in.	CHECKED - JMY	REVISED -
PLOT DATE = 2/20/2024	DATE - 02/14/2024	REVISED -

**STATE OF ILLINOIS
DEPARTMENT OF TRANSPORTATION**

**CROSS SECTIONS
GARY AVENUE**

SCALE: 1"=10' SHEET OF SHEETS STA. 37+00.00 TO STA. 37+00.00

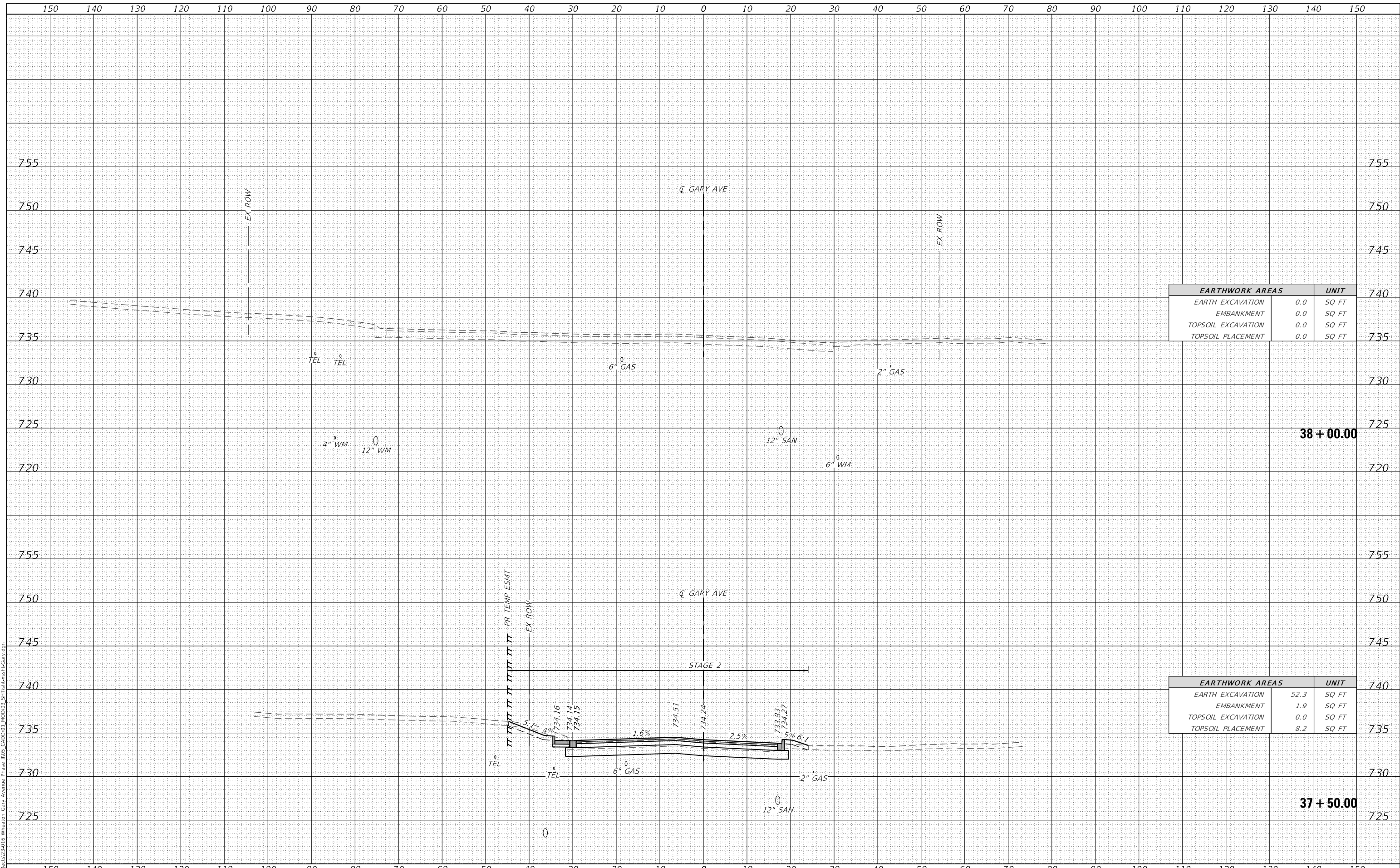
F.A.U. RTE.	SECTION	COUNTY	TOTAL SHEETS	SHEET NO.
2561	20-00123-00-PV	DUPAGE	257	250
CONTRACT NO. 61K32				

ILLINOIS FED. AID PROJECT

DATE	
BY	
FINAL SURVEY	SURVEYED
NOTE BOOK	PLOTTED
NO.	TEMPLATE
	AREAS CHECKED

DATE	
BY	
ORIGINAL SURVEY	SURVEYED
NOTE BOOK	PLOTTED
NO.	TEMPLATE
	AREAS CHECKED

MODEL: Default
 FILE NAME: T:\projects\23-016 Wheaton Gary Avenue Phase 105_CADD\100103_SHT\st-ss-38-Gary.dgn



EARTHWORK AREAS	UNIT
EARTH EXCAVATION	0.0 SQ FT
EMBANKMENT	0.0 SQ FT
TOPSOIL EXCAVATION	0.0 SQ FT
TOPSOIL PLACEMENT	0.0 SQ FT

EARTHWORK AREAS	UNIT
EARTH EXCAVATION	52.3 SQ FT
EMBANKMENT	1.9 SQ FT
TOPSOIL EXCAVATION	0.0 SQ FT
TOPSOIL PLACEMENT	8.2 SQ FT



USER NAME = KyleVZ	DESIGNED - KVZ	REVISED -
	DRAWN - JBH	REVISED -
PLOT SCALE = 20.0000' / in.	CHECKED - JMY	REVISED -
PLOT DATE = 2/20/2024	DATE - 02/14/2024	REVISED -

STATE OF ILLINOIS
 DEPARTMENT OF TRANSPORTATION

CROSS SECTIONS
 GARY AVENUE

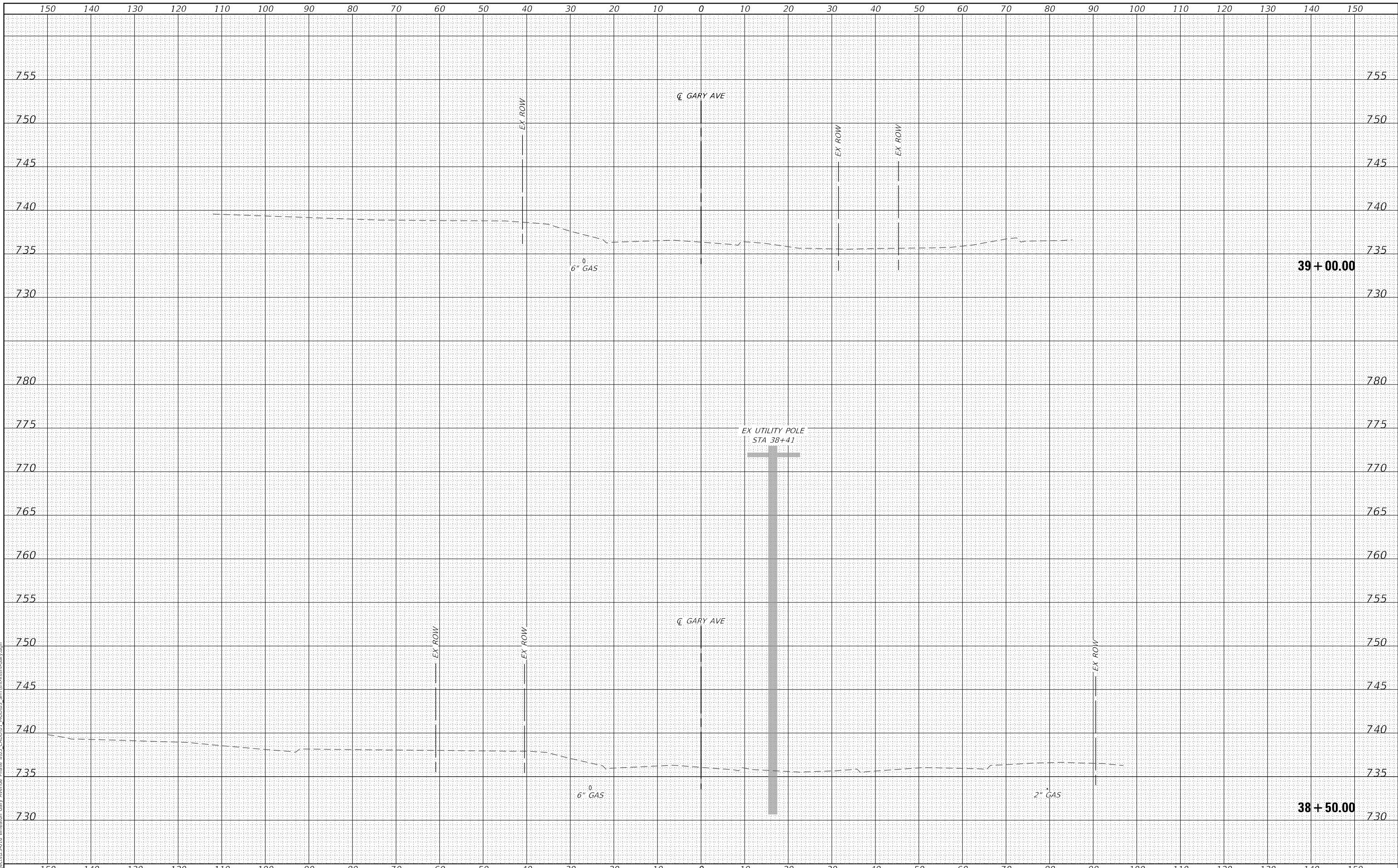
SCALE: 1"=10' SHEET OF SHEETS STA. 37+50.00 TO STA. 38+00.00

F.A.U. RTE.	SECTION	COUNTY	TOTAL SHEETS	SHEET NO.
2561	20-00123-00-PV	DUPAGE	257	251
CONTRACT NO. 61K32				
ILLINOIS FED. AID PROJECT				

DATE	
BY	
FINAL SURVEY	SURVEYED
NOTE BOOK	PLOTTED
NO.	TEMPLATE
	AREAS CHECKED
	AREAS CHECKED

DATE	
BY	
ORIGINAL SURVEY	SURVEYED
NOTE BOOK	PLOTTED
NO.	TEMPLATE
	AREAS CHECKED
	AREAS CHECKED

MODEL: Default
FILE NAME: T:\Projects\23-016 Wheaton Gary Avenue Phase B\55_CADD\01_00103_SHT\Bat-x-38-Gary.dgn



USER NAME = KyleVZ	DESIGNED - KVZ	REVISD -
	DRAWN - JBH	REVISD -
PLOT SCALE = 20.0000' / in.	CHECKED - JMY	REVISD -
PLOT DATE = 2/20/2024	DATE - 02/14/2024	REVISD -

**STATE OF ILLINOIS
DEPARTMENT OF TRANSPORTATION**

**CROSS SECTIONS
GARY AVENUE**

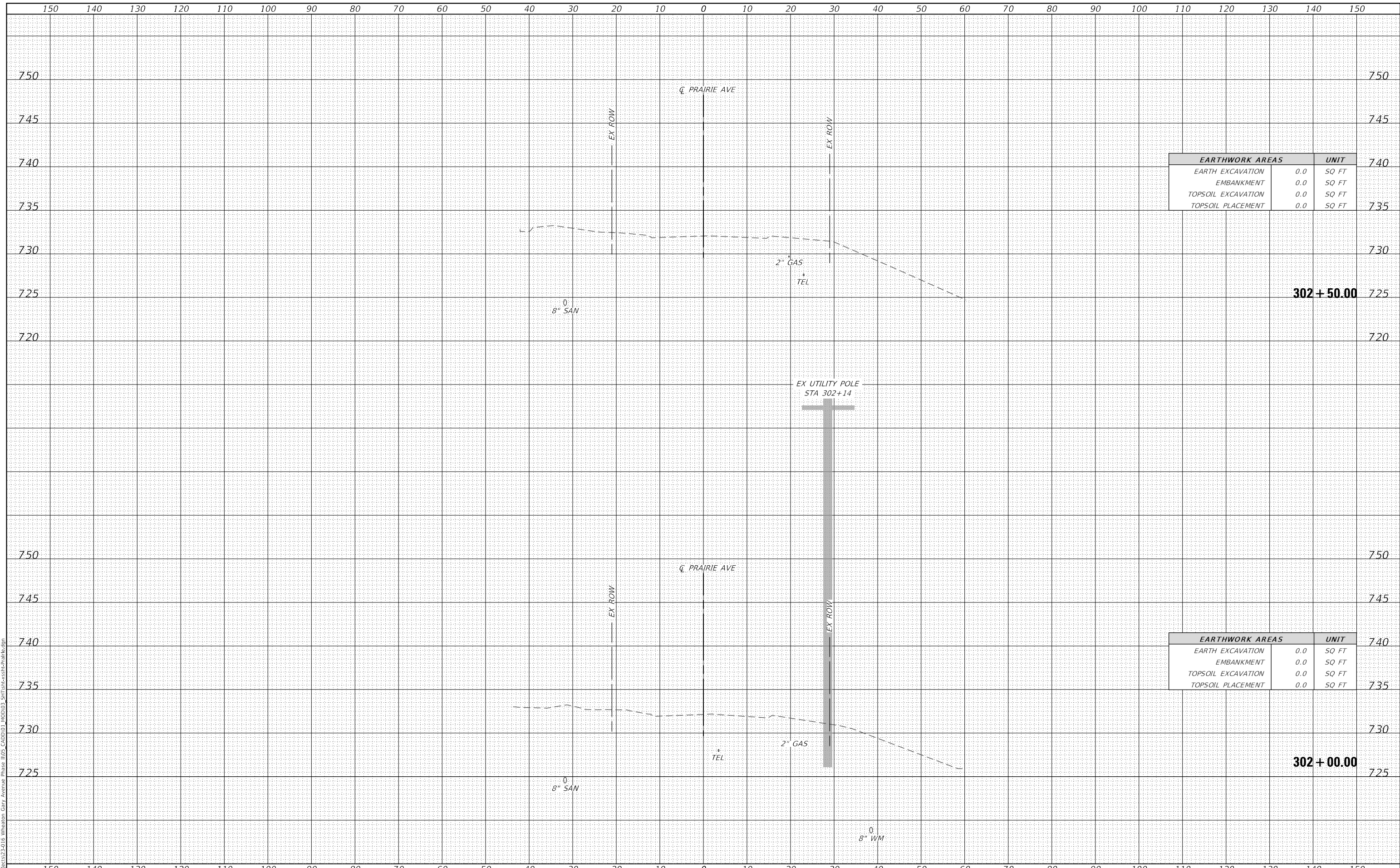
SCALE: 1"=10' SHEET OF SHEETS STA. 38+50.00 TO STA. 39+00.00

F.A.U. RTE.	SECTION	COUNTY	TOTAL SHEETS	SHEET NO.
2561	20-00123-00-PV	DUPAGE	257	252
				CONTRACT NO. 61K32
				ILLINOIS FED. AID PROJECT

DATE	
BY	
FINAL SURVEY	SURVEYED
NOTE BOOK	PLOTTED
NO.	TEMPLATE
	AREAS
	CHECKED

DATE	
BY	
ORIGINAL SURVEY	SURVEYED
NOTE BOOK	PLOTTED
NO.	TEMPLATE
	AREAS
	CHECKED

MODEL: Default
 FILE NAME: T:\projects\23-016 Wheaton Gary Avenue Phase 1\05_CADD\01_PLOTTING_SHT\Sta-302-Prairie.dgn



EARTHWORK AREAS		UNIT
EARTH EXCAVATION	0.0	SQ FT
EMBANKMENT	0.0	SQ FT
TOPSOIL EXCAVATION	0.0	SQ FT
TOPSOIL PLACEMENT	0.0	SQ FT

EARTHWORK AREAS		UNIT
EARTH EXCAVATION	0.0	SQ FT
EMBANKMENT	0.0	SQ FT
TOPSOIL EXCAVATION	0.0	SQ FT
TOPSOIL PLACEMENT	0.0	SQ FT



USER NAME = KyleVZ	DESIGNED - KVZ	REVISED -
	DRAWN - JBH	REVISED -
PLOT SCALE = 20.0000' / in.	CHECKED - JMY	REVISED -
PLOT DATE = 2/20/2024	DATE - 02/14/2024	REVISED -

**STATE OF ILLINOIS
 DEPARTMENT OF TRANSPORTATION**

**CROSS SECTIONS
 PRAIRIE AVENUE**

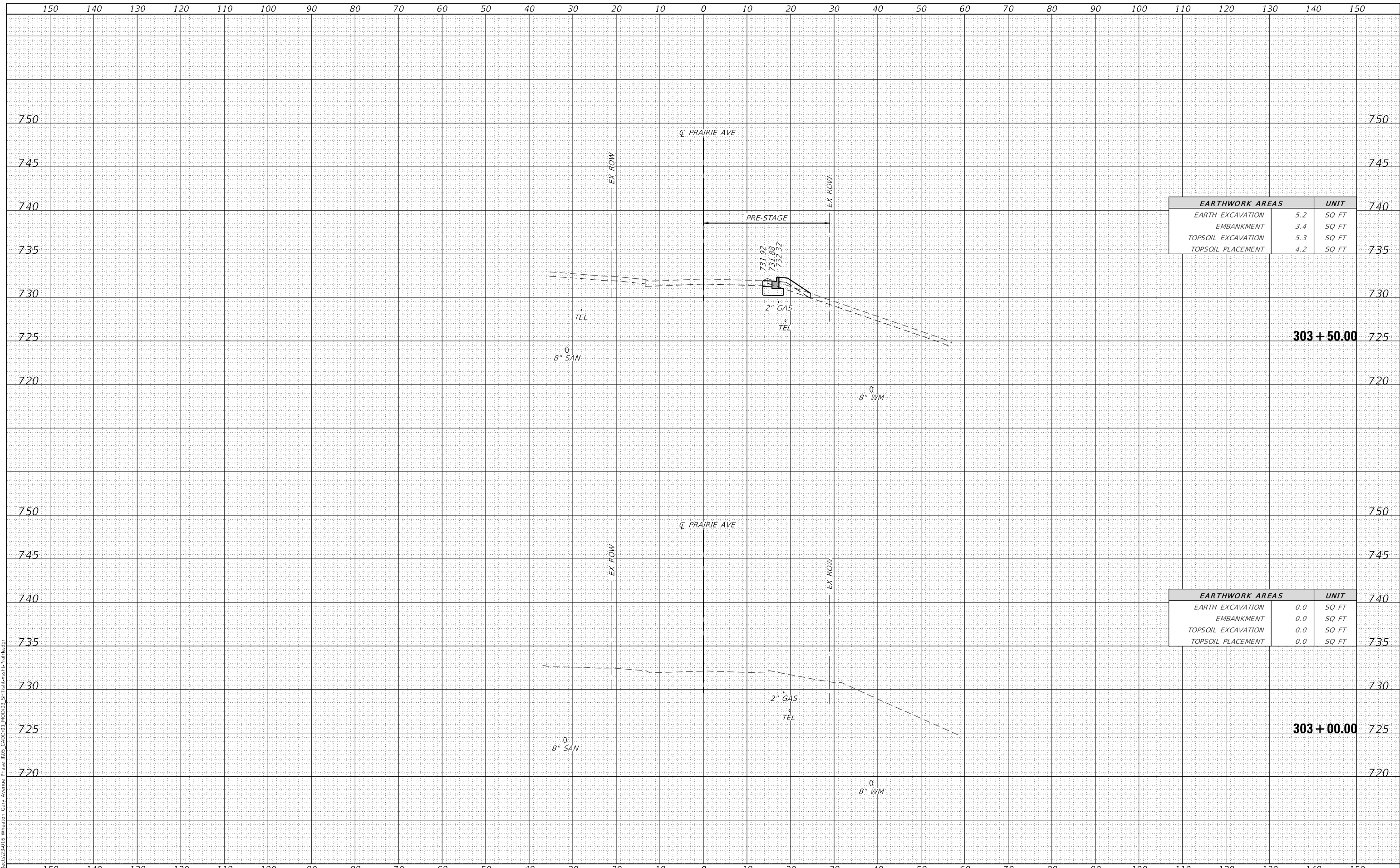
SCALE: 1"=10' SHEET OF SHEETS STA. 302+00.00 TO STA. 302+50.00

F.A.U. RTE.	SECTION	COUNTY	TOTAL SHEETS	SHEET NO.
2561	20-00123-00-PV	DUPAGE	257	253
			CONTRACT NO. 61K32	
		ILLINOIS	FED. AID PROJECT	

DATE	
BY	
FINAL SURVEY	SURVEYED
NOTE BOOK	PLOTTED
NO.	TEMPLATE
	AREAS CHECKED

DATE	
BY	
ORIGINAL SURVEY	SURVEYED
NOTE BOOK	PLOTTED
NO.	TEMPLATE
	AREAS CHECKED

MODEL: Definit
 FILE NAME: T:\Projects\23-016 Wheaton Gary Avenue Phase 105_CADD\01_105\03_SHT\303+50.00-PrairieAve.dgn



EARTHWORK AREAS		UNIT
EARTH EXCAVATION	5.2	SQ FT
EMBANKMENT	3.4	SQ FT
TOPSOIL EXCAVATION	5.3	SQ FT
TOPSOIL PLACEMENT	4.2	SQ FT

EARTHWORK AREAS		UNIT
EARTH EXCAVATION	0.0	SQ FT
EMBANKMENT	0.0	SQ FT
TOPSOIL EXCAVATION	0.0	SQ FT
TOPSOIL PLACEMENT	0.0	SQ FT



USER NAME = KyleVZ	DESIGNED - KVZ	REVISED -
	DRAWN - JBH	REVISED -
PLOT SCALE = 20.0000' / in.	CHECKED - JMY	REVISED -
PLOT DATE = 2/20/2024	DATE - 02/14/2024	REVISED -

STATE OF ILLINOIS
 DEPARTMENT OF TRANSPORTATION

CROSS SECTIONS
 PRAIRIE AVENUE

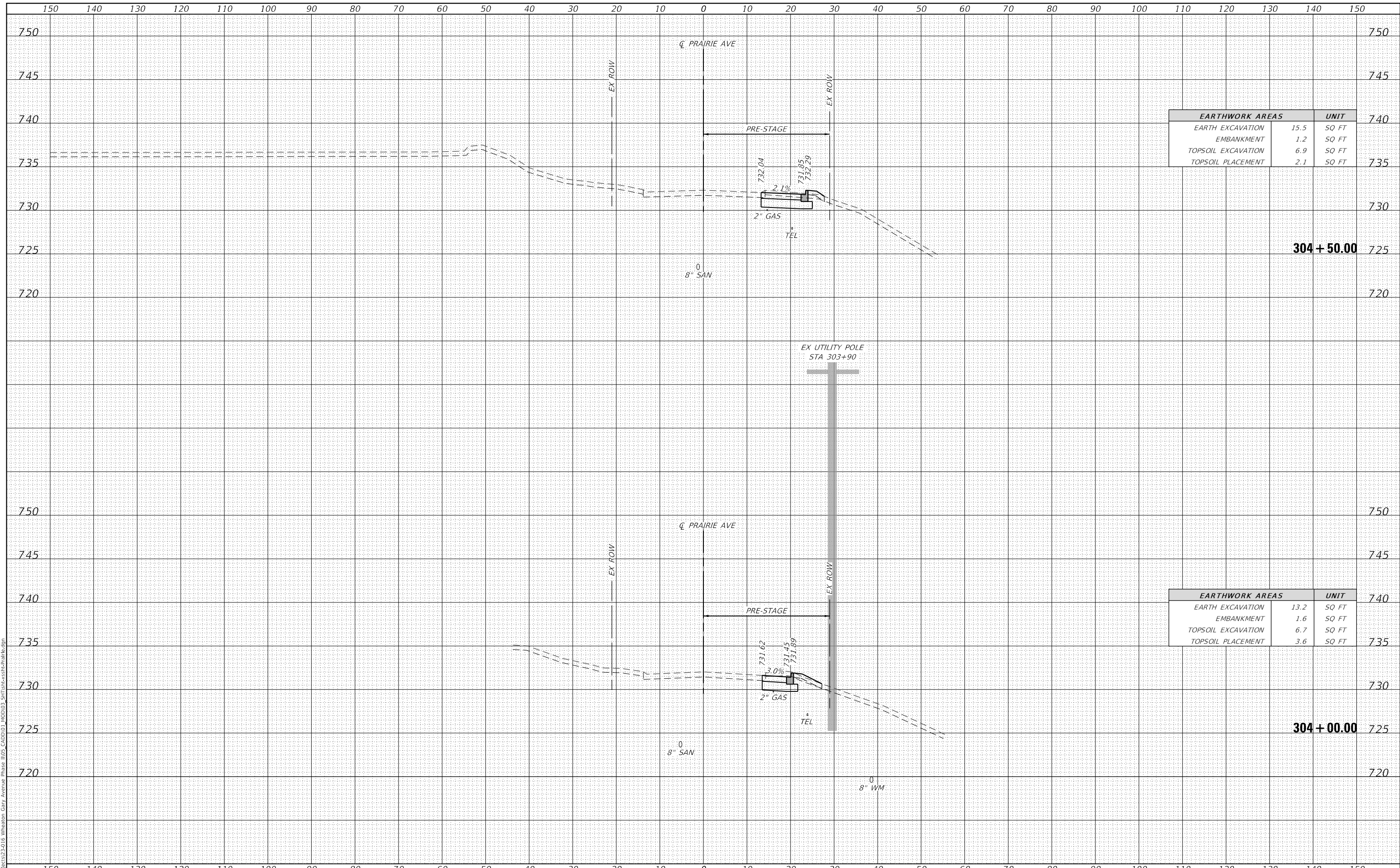
SCALE: 1"=10' SHEET OF SHEETS STA. 303+00.00 TO STA. 303+50.00

F.A.U. RTE.	SECTION	COUNTY	TOTAL SHEETS	SHEET NO.
2561	20-00123-00-PV	DUPAGE	257	254
				CONTRACT NO. 61K32
				ILLINOIS FED. AID PROJECT

DATE	
BY	
FINAL SURVEY	SURVEYED
NOTE BOOK	PLOTTED
NO.	TEMPLATE
	AREAS CHECKED

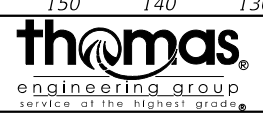
DATE	
BY	
ORIGINAL SURVEY	SURVEYED
NOTE BOOK	PLOTTED
NO.	TEMPLATE
	AREAS CHECKED

MODEL: Default
FILE NAME: T:\Projects\23-016 Wheaton Gary Avenue Phase 105_CADD\01_105013_SHT\Sta-303-Prairie.dgn



EARTHWORK AREAS		UNIT
EARTH EXCAVATION	15.5	SQ FT
EMBANKMENT	1.2	SQ FT
TOPSOIL EXCAVATION	6.9	SQ FT
TOPSOIL PLACEMENT	2.1	SQ FT

EARTHWORK AREAS		UNIT
EARTH EXCAVATION	13.2	SQ FT
EMBANKMENT	1.6	SQ FT
TOPSOIL EXCAVATION	6.7	SQ FT
TOPSOIL PLACEMENT	3.6	SQ FT



USER NAME = KyleVZ	DESIGNED - KVZ	REVISED -
	DRAWN - JBH	REVISED -
PLOT SCALE = 20.0000' / in.	CHECKED - JMY	REVISED -
PLOT DATE = 2/20/2024	DATE - 02/14/2024	REVISED -

**STATE OF ILLINOIS
DEPARTMENT OF TRANSPORTATION**

**CROSS SECTIONS
PRAIRIE AVENUE**

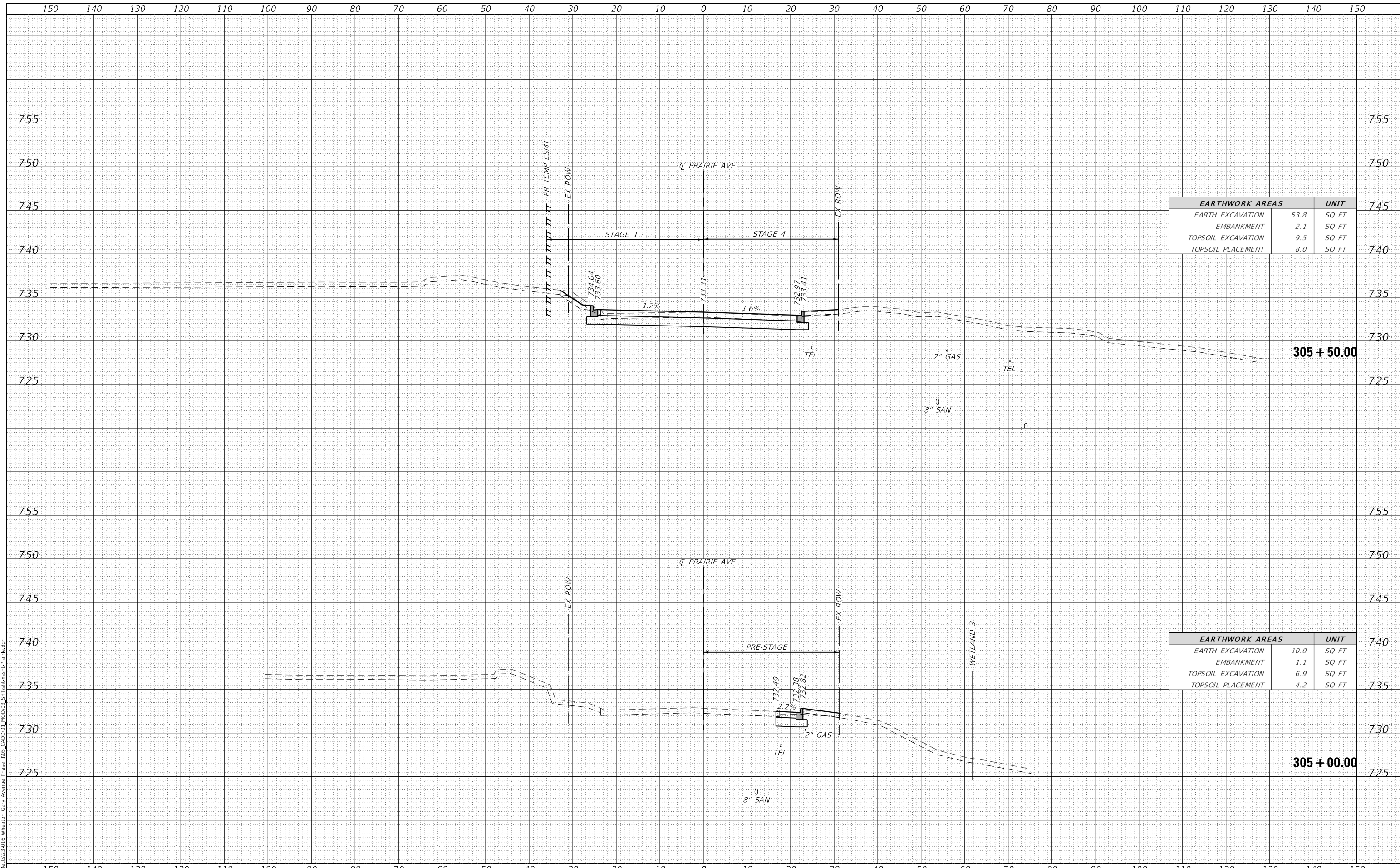
SCALE: 1"=10' SHEET OF SHEETS STA. 304+00.00 TO STA. 304+50.00

F.A.U. RTE.	SECTION	COUNTY	TOTAL SHEETS	SHEET NO.
2561	20-00123-00-PV	DUPAGE	257	255
				CONTRACT NO. 61K32
				ILLINOIS FED. AID PROJECT

DATE	
BY	
FINAL SURVEY	SURVEYED
NOTE BOOK	PLOTTED
NO.	TEMPLATE
	AREAS CHECKED

DATE	
BY	
ORIGINAL SURVEY	SURVEYED
NOTE BOOK	PLOTTED
NO.	TEMPLATE
	AREAS CHECKED

MODEL: Definit
 FILE NAME: T:\Projects\23-016 Wheaton Gary Avenue Phase B\IS_CADD\100103_SHT\st-ss-316-Prairie-1.dgn



EARTHWORK AREAS		UNIT
EARTH EXCAVATION	53.8	SQ FT
EMBANKMENT	2.1	SQ FT
TOPSOIL EXCAVATION	9.5	SQ FT
TOPSOIL PLACEMENT	8.0	SQ FT

EARTHWORK AREAS		UNIT
EARTH EXCAVATION	10.0	SQ FT
EMBANKMENT	1.1	SQ FT
TOPSOIL EXCAVATION	6.9	SQ FT
TOPSOIL PLACEMENT	4.2	SQ FT



USER NAME = KyleVZ	DESIGNED - KVZ	REvised -
	DRAWN - JBH	REvised -
PLOT SCALE = 20.0000 ' / in.	CHECKED - JMY	REvised -
PLOT DATE = 2/20/2024	DATE - 02/14/2024	REvised -

STATE OF ILLINOIS
 DEPARTMENT OF TRANSPORTATION

CROSS SECTIONS
 PRAIRIE AVENUE

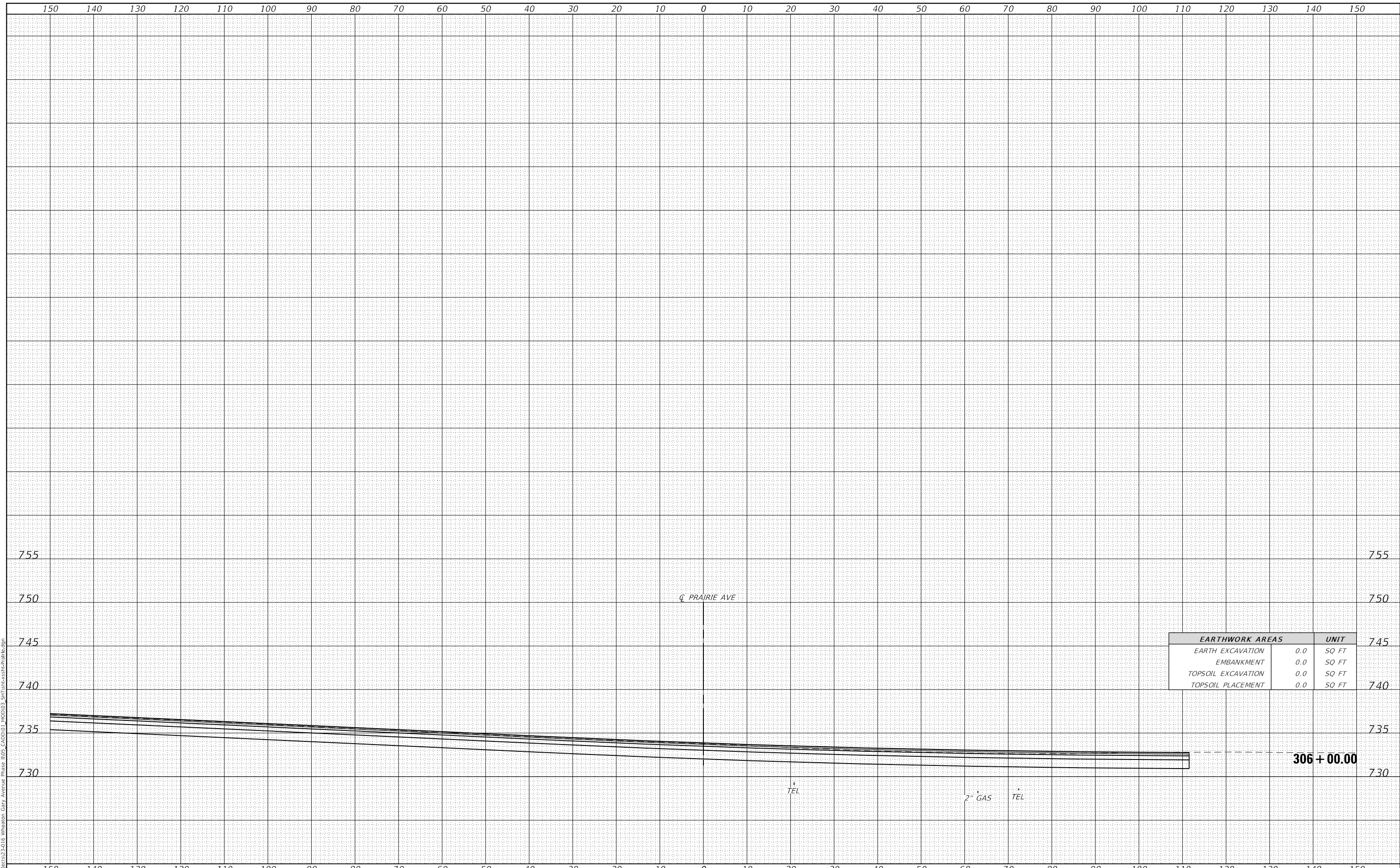
SCALE: 1"=10' SHEET OF SHEETS STA. 305+00.00 TO STA. 305+50.00

F.A.U. RTE.	SECTION	COUNTY	TOTAL SHEETS	SHEET NO.
2561	20-00123-00-PV	DUPAGE	257	256
				CONTRACT NO. 61K32
				ILLINOIS FED. AID PROJECT

FINAL SURVEY NO.	SURVEYED	DATE
NOTE BOOK	PLOTTED	
	TEMPLATE	
	AREAS CHECKED	

ORIGINAL SURVEY NO.	SURVEYED	DATE
	PLOTTED	
	TEMPLATE	
	AREAS CHECKED	

MODEL: Default
 FILE NAME: T:\projects\23-016 Wheaton Gary Avenue Phase I\IS_CADD\01_00103_SHT\at-x-site-Prairie.aia



EARTHWORK AREAS	UNIT
EARTH EXCAVATION	0.0 SQ FT
EMBANKMENT	0.0 SQ FT
TOPSOIL EXCAVATION	0.0 SQ FT
TOPSOIL PLACEMENT	0.0 SQ FT



USER NAME = KyleVZ	DESIGNED - KVZ	REVISED -
	DRAWN - JBH	REVISED -
PLOT SCALE = 20.0000 ' / in.	CHECKED - JMY	REVISED -
PLOT DATE = 2/20/2024	DATE - 02/14/2024	REVISED -

**STATE OF ILLINOIS
 DEPARTMENT OF TRANSPORTATION**

**CROSS SECTIONS
 PRAIRIE AVENUE**

SCALE: 1"=10' SHEET OF SHEETS STA. 306+00.00 TO STA. 306+00.00

F.A.U. RTE.	SECTION	COUNTY	TOTAL SHEETS	SHEET NO.
2561	20-00123-00-PV	DUPAGE	257	257
CONTRACT NO. 61K32				
ILLINOIS FED. AID PROJECT				