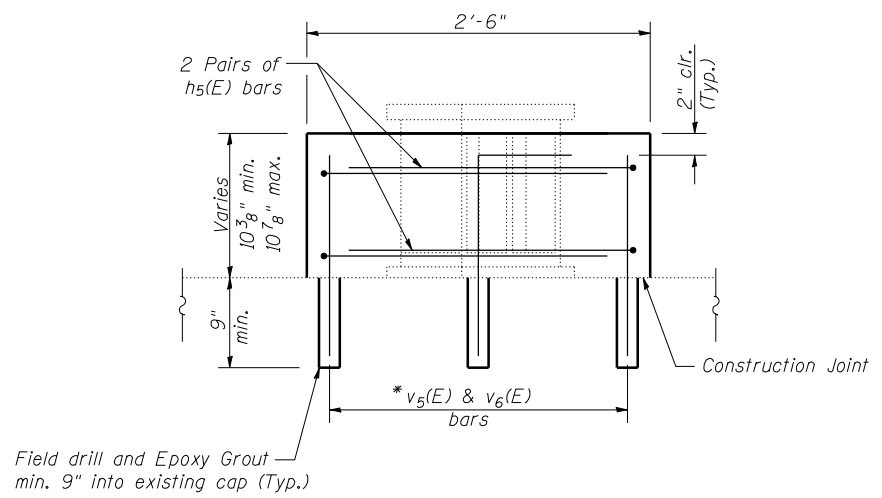
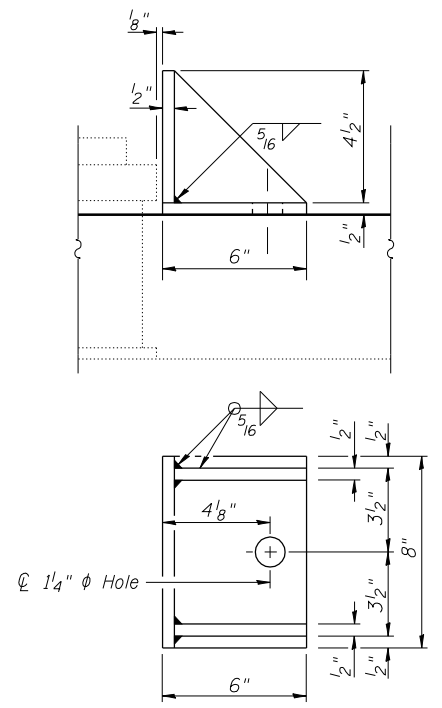


DETAIL A
(Showing Side Retainers & Anchor Bolt Layout)



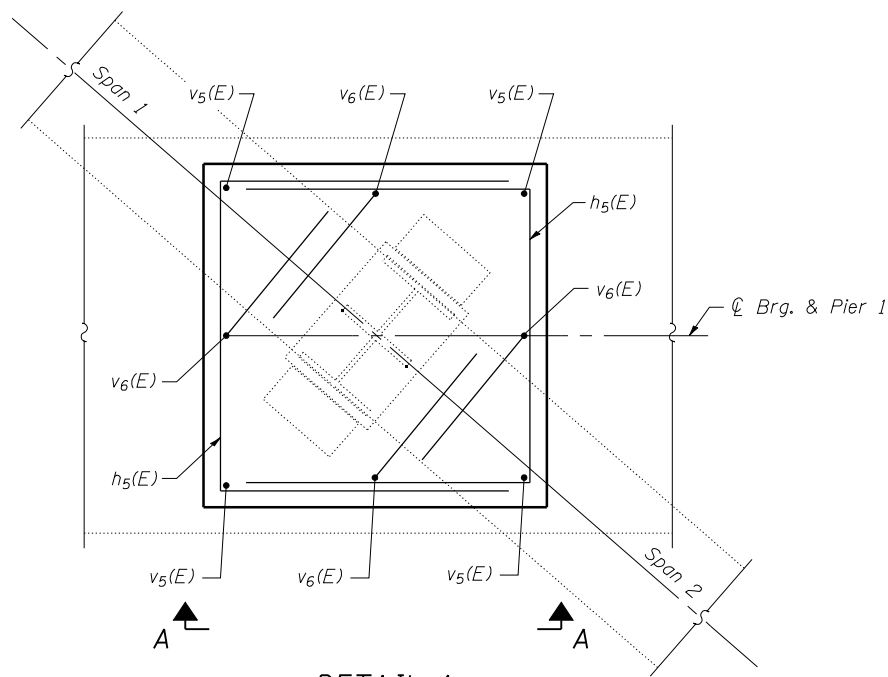
SECTION A-A

*Bars shall be drilled and grouted according to Section 584 of the Standard Specifications.

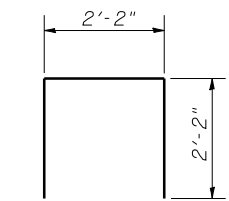


SIDE RETAINER
Equivalent rolled angle with stiffeners will be allowed in lieu of welded plates. (Pier 1)

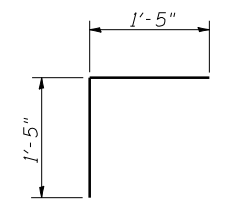
Notes:
Side retainers for Pier 1 shall be paid for as Furnishing & Erecting Structural Steel.



DETAIL A
(Showing Reinforcement)
(All reinforcement shown is #5 bars.)



BAR h5(E)



v6(E) BAR

MIN BAR LAP
#5 bar = 2'-0"

**BILL OF MATERIAL
PIER 1**

Bar	No.	Size	Length	Shape
h5(E)	20	#5	6'-6"	□
v5(E)	20	#5	1'-5"	—
v6(E)	20	#5	2'-10"	└
Concrete Structures			Cu. Yd.	1.0
Reinforcement Bars, Epoxy Coated			Pound	230
Anchor Bolts, 1"			Each	10
Furnishing and Erecting Structural Steel			Pound	160