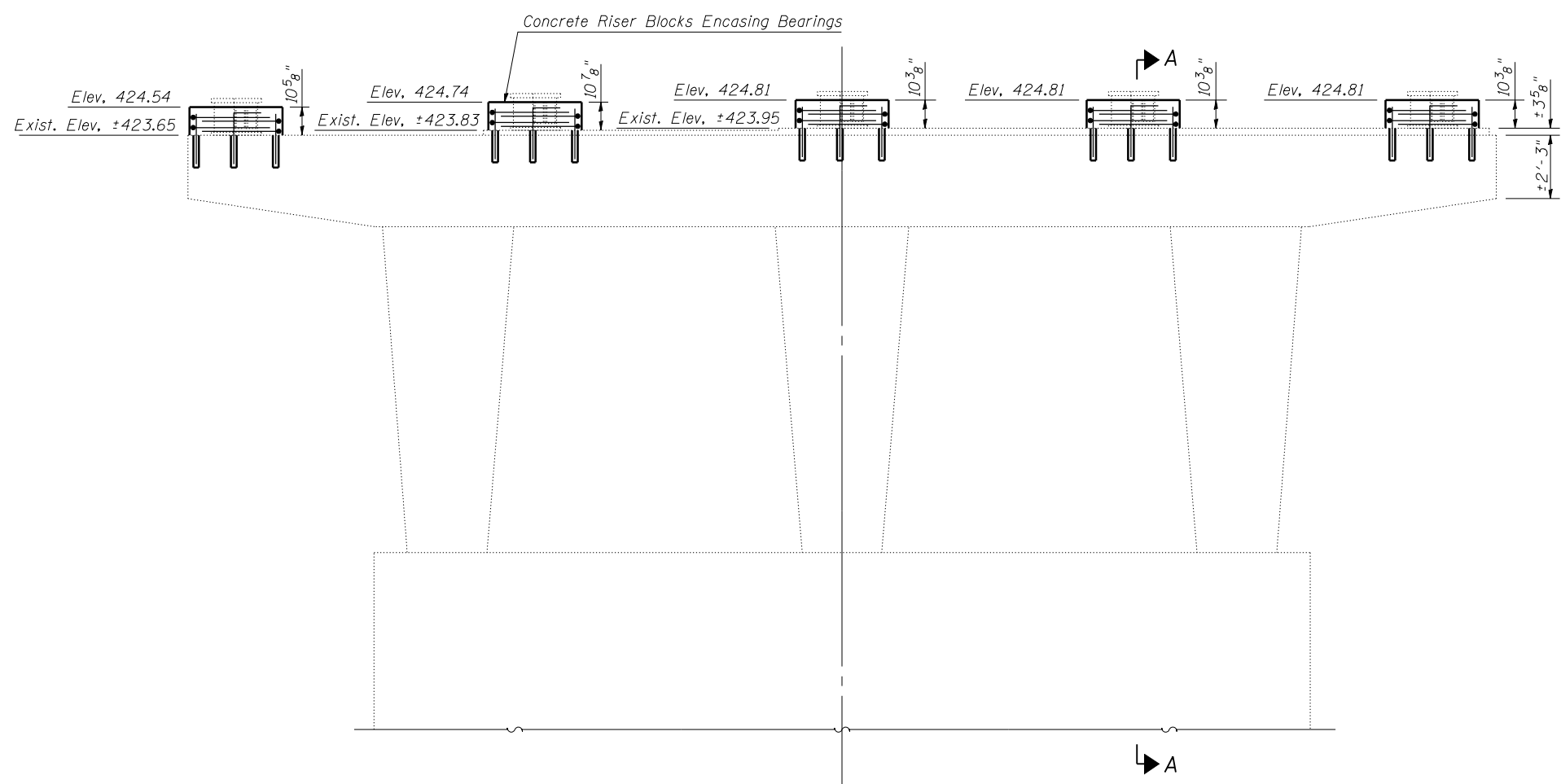


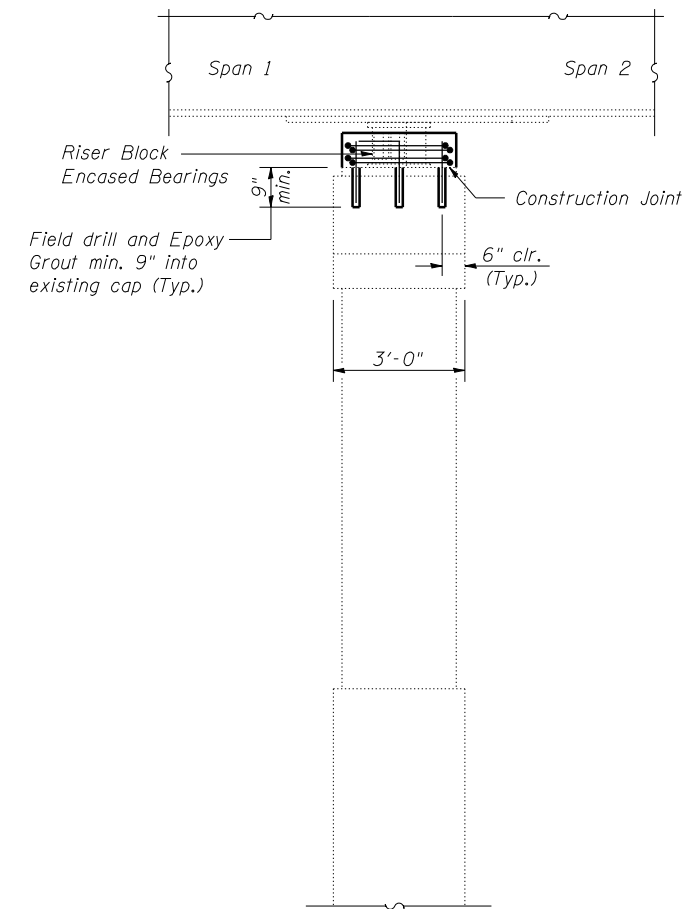
See Detail A (Typ.)
See sheet 22 of 26.

PLAN PIER CAP
(New Side Retainers not shown for clarity)

Notes:
Space reinforcement in Riser Blocks to miss Anchor Bolts.
Bars shall be drilled and grouted according to
Section 584 of the Standard Specifications.



ELEVATION PIER 1
(Looking West)



SECTION A-A
(Showing Bearings and Superstructure)

FILE NAME = \sheet 21 (pier 1).dgn	USER NAME = bsetbel	DESIGNED - BB	REVISED -
BERNHARDT LOGGERS & ASSOCIATES, INC. 3 OAK DRIVE MARYVILLE, ILLINOIS 62450 PHONE (618) 395-4000 FAX (618) 395-4000	Illinois Design Firm Number 184,001670	CHECKED - ACS	REVISED -
	PLOT SCALE =	DRAWN - WJS	REVISED -
	PLOT DATE = 11:32:20 PM 12/20/2011	CHECKED - CJF	REVISED -

STATE OF ILLINOIS
DEPARTMENT OF TRANSPORTATION

PIER 1 DETAILS
STRUCTURE NO. 079-0020

SHEET NO. 21 OF 26 SHEETS

F.A.S. RTE.	SECTION	COUNTY	TOTAL SHEETS	SHEET NO.
858	12VB-11	RANDOLPH	72	67
CONTRACT NO. 76409				
ILLINOIS FED. AID PROJECT				