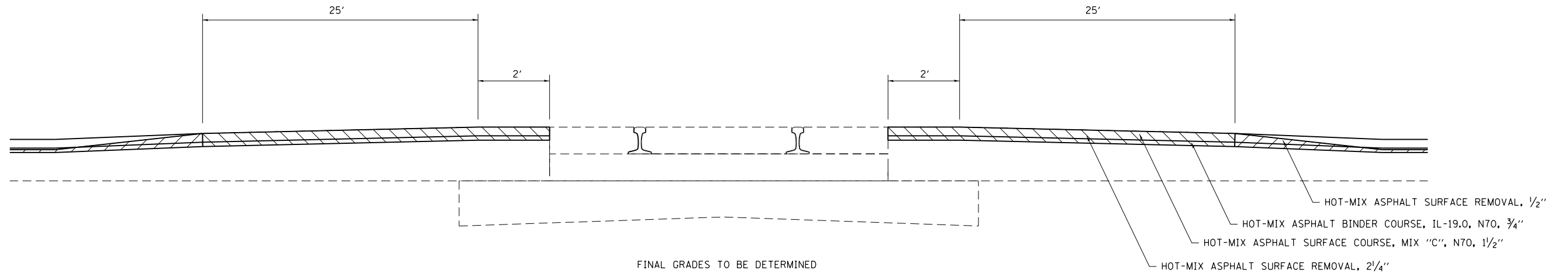
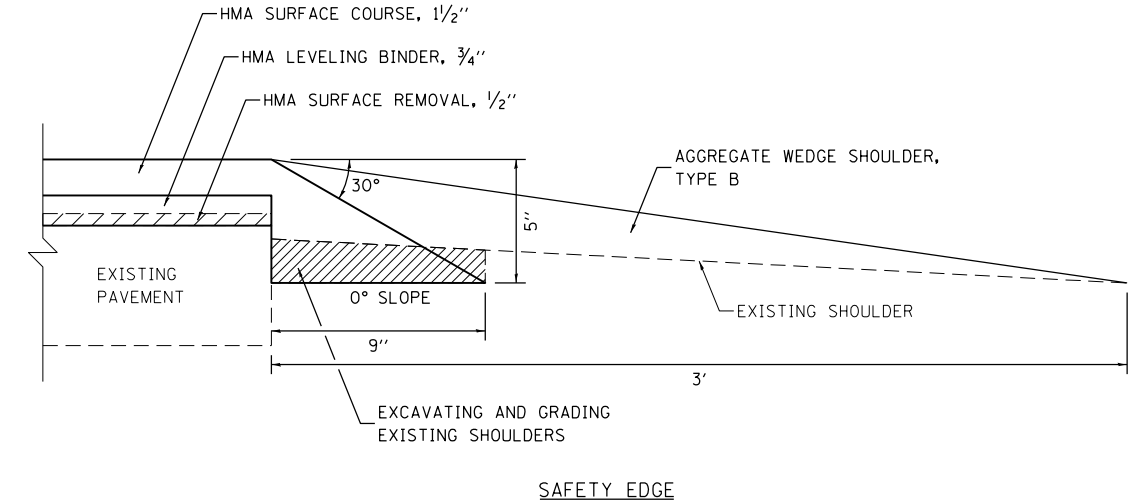


TEMPORARY RAMP DETAIL AT STRUCTURE
 STA 289+36 TO STA 289+88.5
 STA 290+22 TO STA 290+80



TYPICAL APPROACH PAVEMENT PROFILE AT RAILROAD

FILE NAME =	USER NAME = teasleyck	DESIGNED -	REVISED -
ct:\pwork\pwork\teasleyck\d0121473\0774156-sht-details.dgn		DRAWN -	REVISED -
	PLOT SCALE = 100.0000' / 1in.	CHECKED -	REVISED -
	PLOT DATE = 10/30/2012	DATE -	REVISED -

**STATE OF ILLINOIS
 DEPARTMENT OF TRANSPORTATION**

DETAILS			
SCALE:	SHEET 1	OF 1	SHEETS
	STA.		TO STA.

F.A. RTE.	SECTION	COUNTY	TOTAL SHEETS	SHEET NO.
..	.	Macon, Plat	44	28
			CONTRACT NO.	74156
ILLINOIS FED. AID PROJECT				

•(125,126,126R)RS-2&(126BR)B
 ••FAS 1536 & FAU 7464