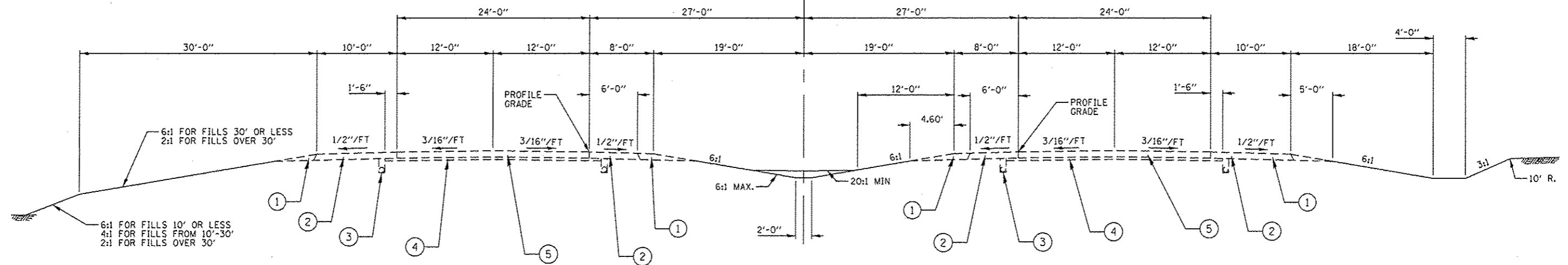


¢ F.A.I. 72



TYPICAL TANGENT SECTION

STA. 0+00.20 TO STA. 19+77.74 (F.A.I. 72 N.W.)  
 STA. 48+03.02 TO STA. 76+00.00 (F.A.I. 72 N.W.)  
 STA. 999+99.80 TO STA. 1024+61.86 (F.A.I. 72 S.E.)  
 STA. 1092+00.00 TO STA. 1192+26.60  
 STA. 1228+40.11 TO STA. 1243+82.01  
 STA. 1273+64.89 TO STA. 1375+00

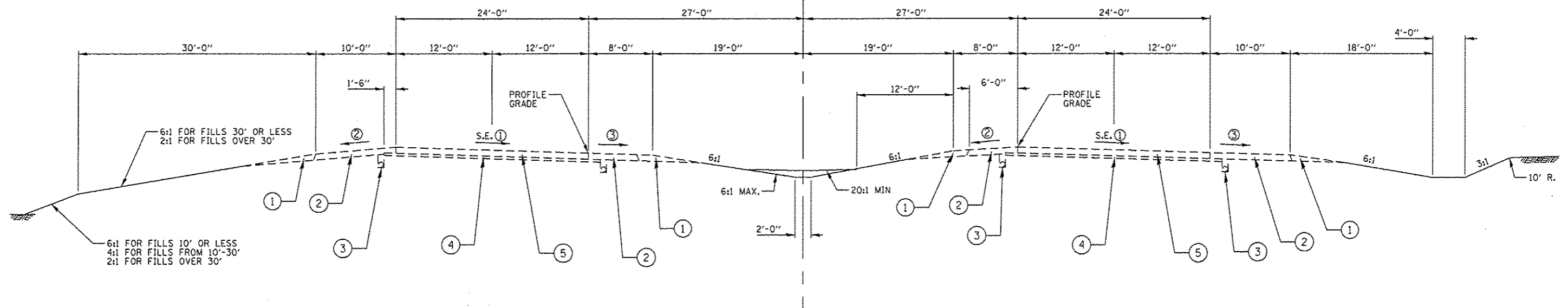
OMISSIONS

STA. 1071+59.32 TO 1073+10.68  
 STA. 1215+30.54 TO 1220+09.45  
 STA. 1232+14.65 TO 1236+27.35

EXISTING NOTES

- SEE STANDARD 2237 FOR ADDITIONAL SHOULDER DETAIL
- LT. 24' P.C. CONC. PAVM'T IS NOW EXISTING FROM STA. 5+00 (N.W.) AHEAD. RT. 24' P.C. CONC. PAVM'T IS EXISTING FROM STA 76+00 (N.W.) AHEAD

¢ F.A.I. 72



TYPICAL SUPERELEVATED SECTION

STA. 19+77.74 TO STA. 48+03.02 (F.A.I. 72 N.W.)  
 STA. 1192+26.60 TO STA. 1228+40.11  
 STA. 1243+82.01 TO STA. 1273+64.89  
 STA. 1365+32.76 TO STA. 1375+00.00

SUPERELEVATION TABLE (FT./FT.)		
PAVEMENT	SHOULDER	SHOULDER
1	2	3
0.0260	0.0417	0.0417
0.0330	0.0037	0.0471
0.0440	0.0260	0.0440
0.0600	0.0100	0.0600

LEGEND

- 1 EXISTING AGG. SHOULDER, TY B
- 2 EXISTING BIT. SHOULDERS 9"
- 3 EXISTING PIPE UNDERDRAIN, 4"
- 4 EXISTING STABILIZED SUB-BASE, 4"
- 5 EXISTING C.R.P.C CONCRETE PAVEMENT, 9"

STATE OF ILLINOIS  
 DEPARTMENT OF TRANSPORTATION

TYPICAL SECTIONS

FILE NAME *	USER NAME * shahdn	DESIGNED -	REVISED -	SCALE: SHEET OF SHEETS STA. TO STA.	F.A.I. RTE. 72	SECTION *	COUNTY PIKE-ADAMS	TOTAL SHEETS 7	SHEET NO. 7
Plot Scale * N/A	Drawn - D.M.S.	CHECKED -	REVISED -		CONTRACT NO. 72F61				
Plot Date * Dec-18-2012 08:54:52AM	DATE -	DATE -	DATE -		ILLINOIS FED. AID PROJECT				
Default					175-111-2 175-911-1 175-311				