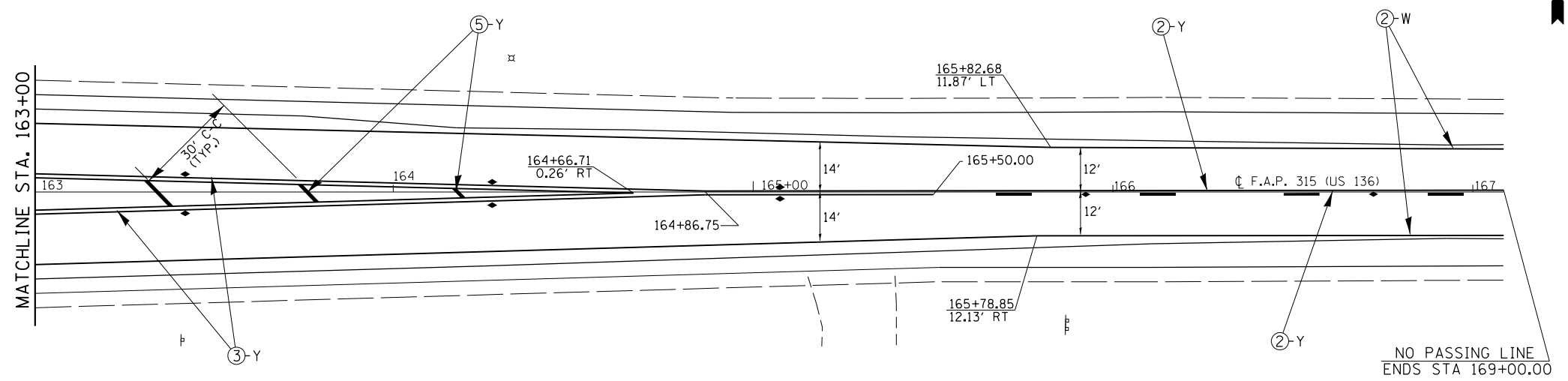


PAVEMENT MARKING LEGEND

- ① PAINT PAVEMENT MARKING - LINE 5"
- ② MODIFIED URETHANE PAVEMENT MARKING - LINE 5"
- ③ MODIFIED URETHANE PAVEMENT MARKING - LINE 5" (DOUBLE YELLOW LINES @ 13" CENTERS)
- ④ MODIFIED URETHANE PAVEMENT MARKING - LINE 8"
- ⑤ MODIFIED URETHANE PAVEMENT MARKING - LINE 12"
- ⑥ MODIFIED URETHANE PAVEMENT MARKING - LINE 6"
- ⑦ PREFORMED PLASTIC PAVEMENT MARKING, TYPE B, INLAID - LINE 24"
- ⑧ PREFORMED PLASTIC PAVEMENT MARKING, TYPE B, INLAID LETTERS & SYMBOLS

- ▷ RAISED REFLECTIVE PAVEMENT MARKER (ONE-WAY CRYSTAL)
- ◆ RAISED REFLECTIVE PAVEMENT MARKER (TWO-WAY AMBER)
- ⊗-W PAVEMENT MARKING, WHITE
- ⊗-Y PAVEMENT MARKING, YELLOW



| | | | | | | | | | | | | | | |
|-------------|---|---------------|---------------|---|---------------------------------|---------|-------------|-------------|---------|--------|----------------------------|-----------|---------------------------|----|
| FILE NAME = | USER NAME = sparksgw | DESIGNED - ML | REVISED - RTS | STATE OF ILLINOIS DEPARTMENT OF TRANSPORTATION | PAVEMENT MARKING DETAILS | | | F.A.P. RTE. | SECTION | COUNTY | TOTAL SHEETS | SHEET NO. | | |
| Default | et:\pw\work\p\dot\sparksgw\10239760\0672E03-sht-pmk.dgn | DRAWN - ML | REVISED - | | SCALE: | SHEET 5 | OF 7 SHEETS | STA. | TO STA. | 315 | (HRS-2, (124)RS-3, (116)RS | MASON | 62 | 53 |
| | PLOT SCALE = 40.0000' / in. | CHECKED - RTS | REVISED - | | | | | | | | | | | |
| | PLOT DATE = Dec-14-2012 12:01:01PM | DATE - | REVISED - | | | | | | | | | | | |
| | | | | | | | | | | | CONTRACT NO. 72E03 | | ILLINOIS FED. AID PROJECT | |