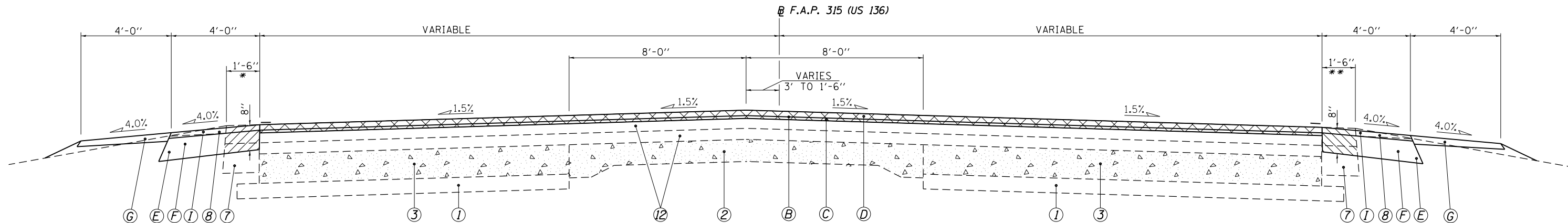


EXISTING BITUMINOUS SHOULDER MILLING TO BE INCLUDED IN THE COSTS FOR "EXCAVATING AND GRADING EXISTING SHOULDER" AT DEPTH LABELED.

TYPICAL SECTION #7
STA 68+41.68 TO 68+71.68

NOTE:
SEE HIGHWAY STANDARD 6420006 FOR PLACEMENT OF PROPOSED SHOULDER RUMBLE STRIPS.



* PAVEMENT REMOVAL ENDS STA. 164+17.80, LEFT

EXISTING BITUMINOUS SHOULDER MILLING TO BE INCLUDED IN THE COSTS FOR "EXCAVATING AND GRADING EXISTING SHOULDER" AT DEPTH LABELED.

TYPICAL SECTION #8
STA. 151+23.08 TO STA. 158+17.08
STA. 159+58.08 TO STA. 167+31.88

NOTE:
MEDIAN AND LANE PAVEMENT MARKINGS NOT SHOWN
SEE PAVEMENT MARKING DETAILS FOR LOCATIONS

** PAVEMENT REMOVAL ENDS STA. 166+10.41, RIGHT

LEGEND

- | | |
|--|---|
| ① EX. SUB-BASE GRANULAR MATERIAL 4" | (A) PROP. BITUMINOUS CONCRETE SURFACE REMOVAL, VARIABLE DEPTH (3/4" @ CENTERLINE) |
| ② EX. P.C.C. PAVEMENT 9"-6"-9" | (B) PROP. BITUMINOUS CONCRETE SURFACE REMOVAL, 2 1/4" |
| ③ EX. P.C.C. BASE COURSE 8" | (C) PROP. LEVELING BINDER (MACHINE METHOD), N70, 3/4" |
| ⑦ EX. BITUMINOUS SHOULDER 8" | (D) PROP. HMA SURFACE COURSE, MIX C, N70, 1 1/2" |
| ⑧ EX. AGGREGATE SHOULDERS, TYPE B | (E) PROP. HMA SHOULDERS, 6 1/2" |
| ⑫ EX. BITUMINOUS OVERLAY, VARIABLE DEPTH | (F) PROP. EXCAVATING & GRADING SHOULDER (INCLUDES MILLING OUT EXISTING HMA SHOULDERS) |
| | (G) PROP. AGGREGATE WEDGE SHOULDER, TYPE B |
| | (H) PROP. PAVEMENT MARKING - LINE 5" |
| | (I) PROP. HMA SHOULDERS, 1 1/2" (MIX "C", N70) |

FILE NAME =	USER NAME = sparksgw	DESIGNED - ML	REVISED - RTS	STATE OF ILLINOIS DEPARTMENT OF TRANSPORTATION	TYPICAL SECTIONS			F.A.P. RTE.	SECTION	COUNTY	TOTAL SHEETS	SHEET NO.
et:\pw\work\p\idot\sparksgw\10239760\0672E03-sht-typicol.dgn		DRAWN - ML	REVISED -		315	(HRS-2, (124)RS-3, (116)RS	MASON	62	27			
PLOT SCALE = 100.0000' / in.		CHECKED - RTS	REVISED -		SCALE: SHEET NO. 5 OF 8 SHEETS STA. TO STA.			CONTRACT NO. 72E03				
PLOT DATE = Dec-14-2012 12:00:49PM		DATE - 06-04-12	REVISED -		ILLINOIS FED. AID PROJECT							