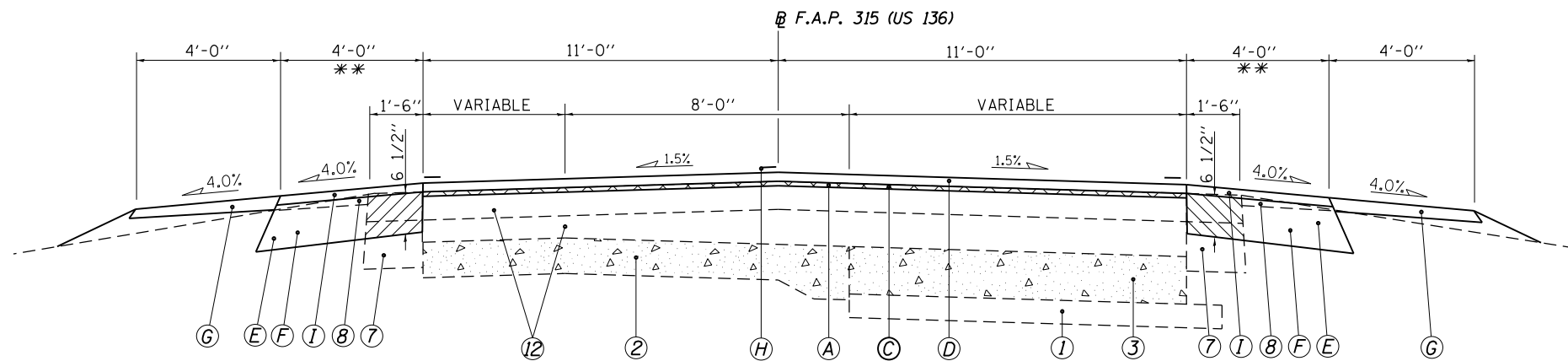


* VARIABLE WIDTH PROPOSED HMA SHOULDERS,
 4'-0" TO 8'-0" AT:
 STA. 80+15.00 TO STA. 80+65.00
 8'-0" TO 4'-0" AT:
 STA. 83+15.00 TO STA. 83+65.00

TYPICAL SECTION #5A
 STA. 80+15.00 TO STA. 83+65.00

EXISTING BITUMINOUS SHOULDER MILLING TO BE INCLUDED IN THE COSTS FOR "EXCAVATING AND GRADING EXISTING SHOULDER" AT DEPTH LABELED.

NOTE:
 SEE HIGHWAY STANDARD 6420006 FOR PLACEMENT OF PROPOSED SHOULDER RUMBLE STRIPS.



EXISTING BITUMINOUS SHOULDER MILLING TO BE INCLUDED IN THE COSTS FOR "EXCAVATING AND GRADING EXISTING SHOULDER" AT DEPTH LABELED.

TYPICAL SECTION #6
 STA. 57+91.23 TO STA. 68+41.68
 STA. 68+71.68 TO STA. 74+99.68
 STA. 100+82.28 TO STA. 117+87.18

** VARIABLE WIDTH PROPOSED HMA SHOULDERS,
 4'-0" TO 7'-0" AT:
 STA. 65+50.00 RIGHT TO STA. 66+00.00 RIGHT
 STA. 66+40.00 LEFT TO STA. 66+90.00 LEFT
 STA. 70+64.00 RIGHT TO STA. 71+14.00 RIGHT
 STA. 70+75.00 LEFT TO STA. 71+25.00 LEFT
 4'-0" TO 7'-6" AT:
 STA. 97+80.00 RIGHT TO STA. 98+30.00 RIGHT
 STA. 101+20.00 RIGHT TO STA. 101+70.00 RIGHT
 4'-0" TO 9'-0" AT:
 STA. 97+05.00 LEFT TO STA. 97+55.00 LEFT
 STA. 99+70.00 LEFT TO STA. 100+20.00 LEFT

LEGEND

① EX. SUB-BASE GRANULAR MATERIAL 4"	(A) PROP. BITUMINOUS CONCRETE SURFACE REMOVAL, VARIABLE DEPTH (3/4" @ CENTERLINE)
② EX. P.C.C. PAVEMENT 9"-6"-9"	(B) PROP. BITUMINOUS CONCRETE SURFACE REMOVAL, 2 1/4"
③ EX. P.C.C. BASE COURSE 8"	(C) PROP. LEVELING BINDER (MACHINE METHOD), N70, 3/4"
⑦ EX. BITUMINOUS SHOULDER 8"	(D) PROP. HMA SURFACE COURSE, MIX C, N70, 1 1/2"
⑧ EX. AGGREGATE SHOULDERS, TYPE B	(E) PROP. HMA SHOULDERS, 6 1/2"
⑫ EX. BITUMINOUS OVERLAY, VARIABLE DEPTH	(F) PROP. EXCAVATING & GRADING SHOULDER (INCLUDES MILLING OUT EXISTING HMA SHOULDERS)
	(G) PROP. AGGREGATE WEDGE SHOULDER, TYPE B
	(H) PROP. PAVEMENT MARKING - LINE 5"
	(I) PROP. HMA SHOULDERS, 1 1/2" (MIX "C", N70)

FILE NAME =	USER NAME = sparksgw	DESIGNED - ML	REVISED - RTS
et:\pw\work\p\id\dot\sparksgw\10239760\0672E03-sht-typicel.dgn		DRAWN - ML	REVISED -
	PLOT SCALE = 100.0000' / 1" =	CHECKED - RTS	REVISED -
	PLOT DATE = Dec-14-2012 12:00:49PM	DATE - 06-04-12	REVISED -

STATE OF ILLINOIS
 DEPARTMENT OF TRANSPORTATION

TYPICAL SECTIONS

SCALE: SHEET NO. 4 OF 8 SHEETS STA. TO STA.

F.A.P. RTE.	SECTION	COUNTY	TOTAL SHEETS	SHEET NO.
315	(HRS-2, (124)RS-3, (116)RS	MASON	62	26
CONTRACT NO. 72E03				
ILLINOIS FED. AID PROJECT				