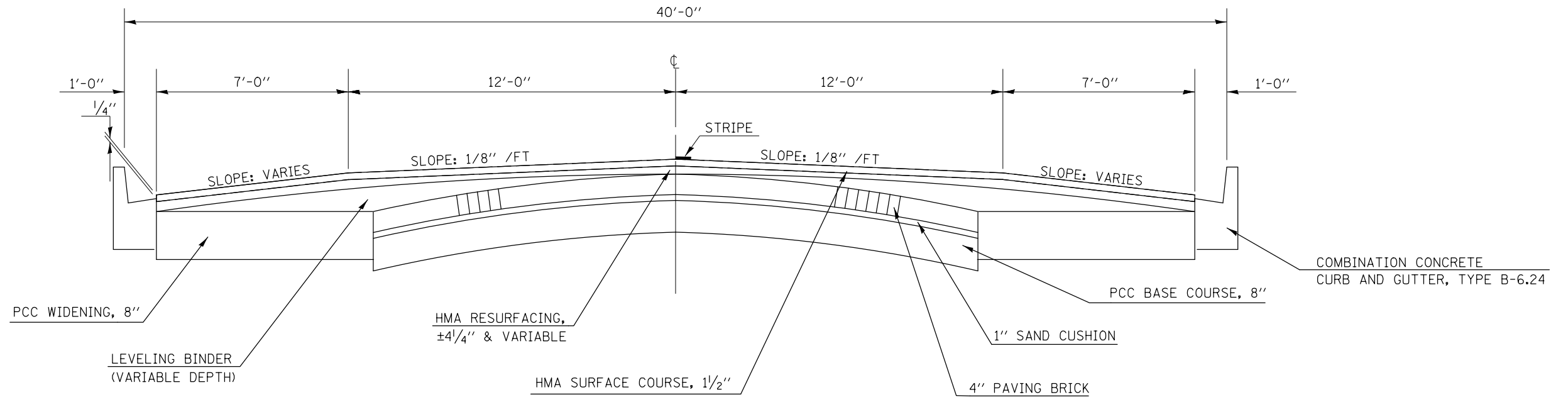


①

EXISTING TYPICAL CROSS SECTION / LOCATION #2

STATION	TO	STATION	
911+43.00		933+37.00	②
⑤ 947+08.00		956+24.40	⑥

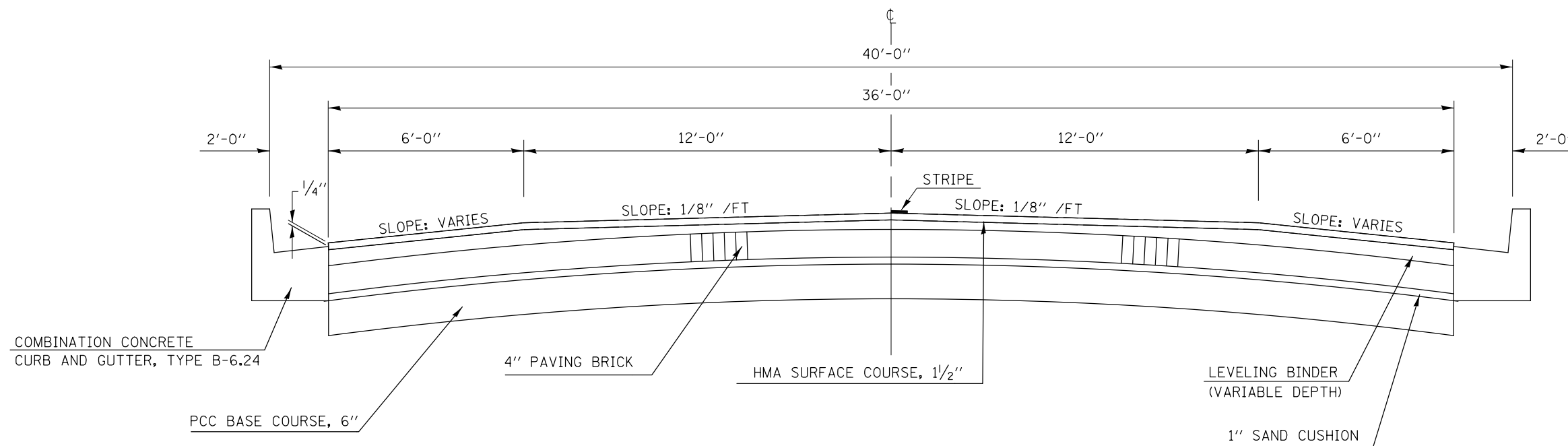


②

EXISTING TYPICAL CROSS SECTION / LOCATION #2

STATION	TO	STATION	
① 933+37.00		938+59.00	③

RAILROAD OMISSION:
STA. 936+98.40 TO STA. 939+92.00



* D5 CRACK & JOINT SEAL 2013-2

FILE NAME =	USER NAME = bakercr	DESIGNED -	REVISED -	STATE OF ILLINOIS DEPARTMENT OF TRANSPORTATION	EXISTING TYPICAL CROSS SECTION LOCATION #2			F.A. RTE.	SECTION	COUNTY	TOTAL SHEETS	SHEET NO.	
et:\pw\work\p\dot\bakercr\d0327161\057082-sh1-typcal.dgn		DRAWN -	REVISED -		SCALE:	SHEET 1	OF 3	SHEETS	STA.	TO STA.	VARIES	36	16
		CHECKED -	REVISED -		CONTRACT NO. 70982								
*MODELNAME#	PLOT DATE = 1/28/2013	DATE -	REVISED -		ILLINOIS FED. AID PROJECT								