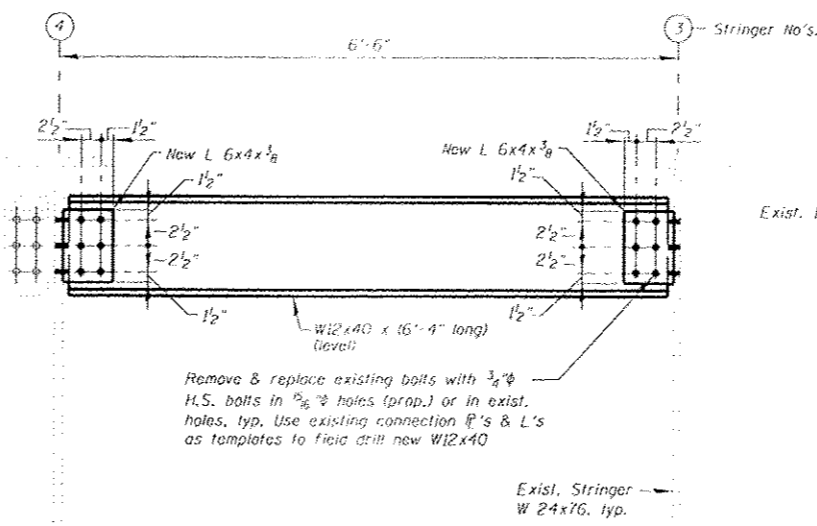


REPAIR NO'S. S23 & S28
(Top of bott. chord S23)
(Bott. of bott. chord S28)

REPAIR DETAIL (10)

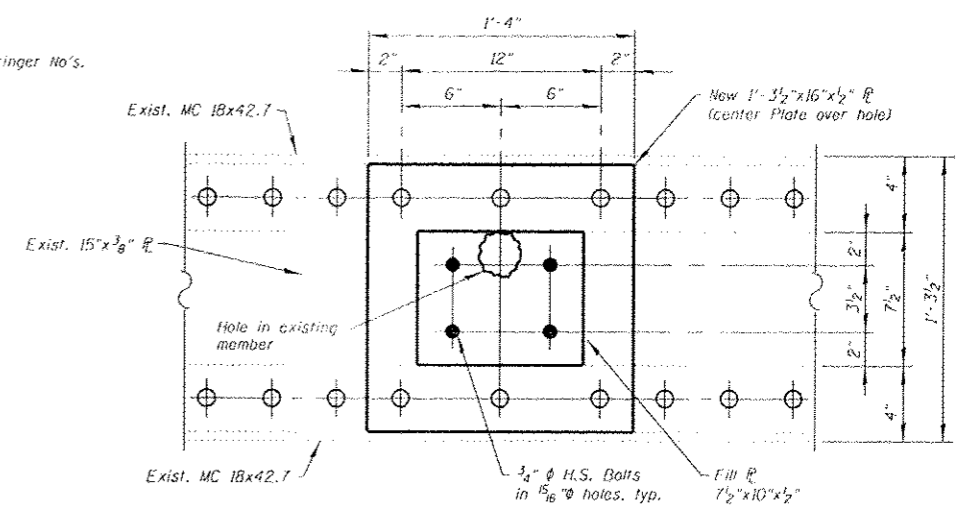
PLAN



REPAIR NO'S. S24 & N22
(Diaphragm replacement)

REPAIR DETAIL (11)

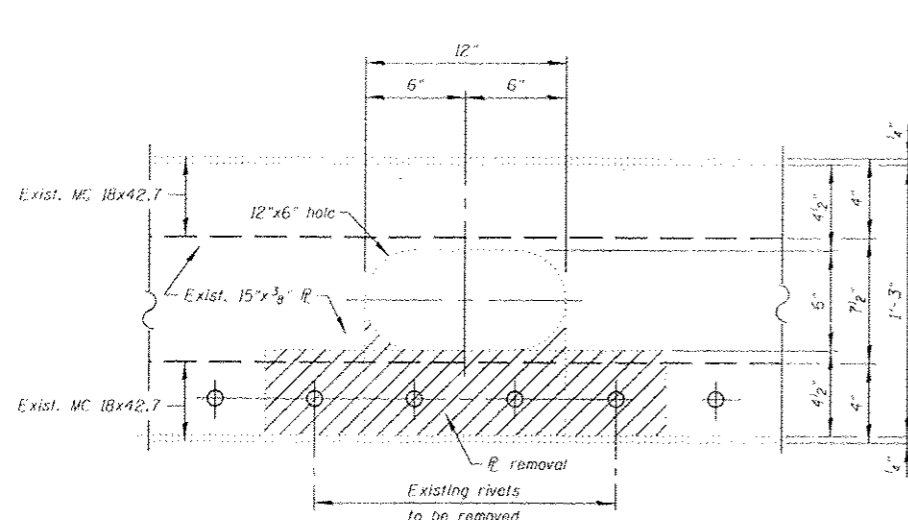
ELEVATION



REPAIR NO'S. S25 & N24 THRU N26
(Bott. of bott. chord)

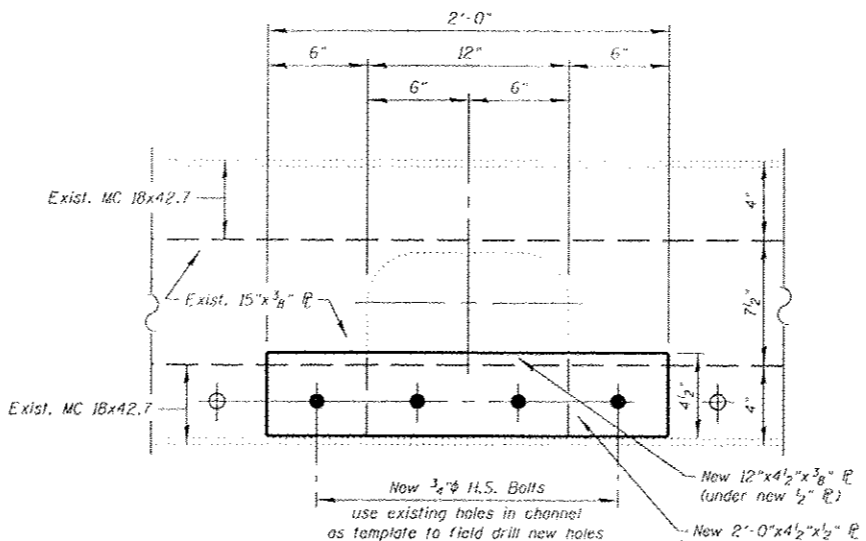
REPAIR DETAIL (12)

PLAN



EXISTING TOP OF BOTTOM CHORD
(showing removal)

PLAN

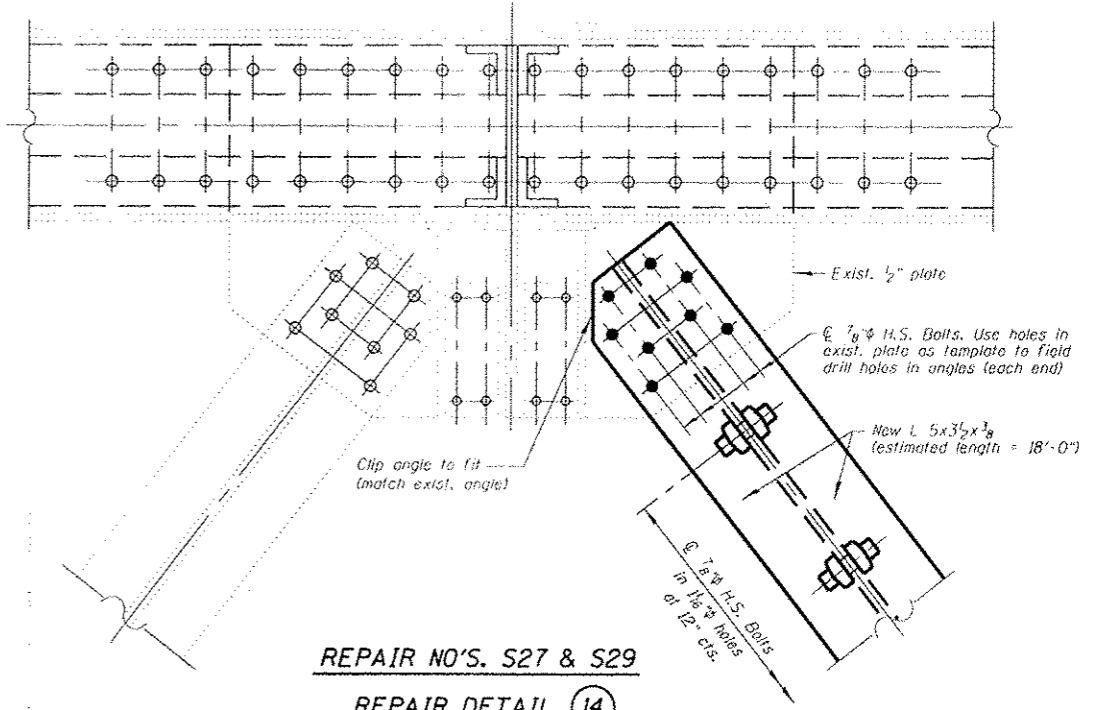


PROPOSED TOP OF BOTTOM CHORD

PLAN

REPAIR NO. S26

REPAIR DETAIL (13)



REPAIR NO'S. S27 & S29

REPAIR DETAIL (14)

PLAN

Note:
See Sht. S49 for Bill of Material & General Notes

FILE NAME : I:\102103.1-85 over Das Plains\Structure\NCA20 Sheets\0162662-47-str-steel-repairs.III.dgn

	USER NAME : p72m02mha	DESIGNED : J.C.N./B.N.S./J.W.	REVISED :	STATE OF ILLINOIS DEPARTMENT OF TRANSPORTATION	STRUCTURAL STEEL REPAIRS-III STRUCTURE NO'S. 099-0008 & 099-0009	F.A.I. RT# 55	SECTION 07B, D-BR-1	COUNTY WILL	TOTAL SHEETS 106	SHEET NO. 85
	PLOT SCALE : 1/8"=1'-0" / 1/4"=1'-0"	DRAWN : F.M.	REVISED :			CONTRACT NO. 60R62				
	PLOT DATE : 3/21/2013	DATE : MARCH 20, 2013	REVISED :			ILLINOIS FED. AID PROJECT				