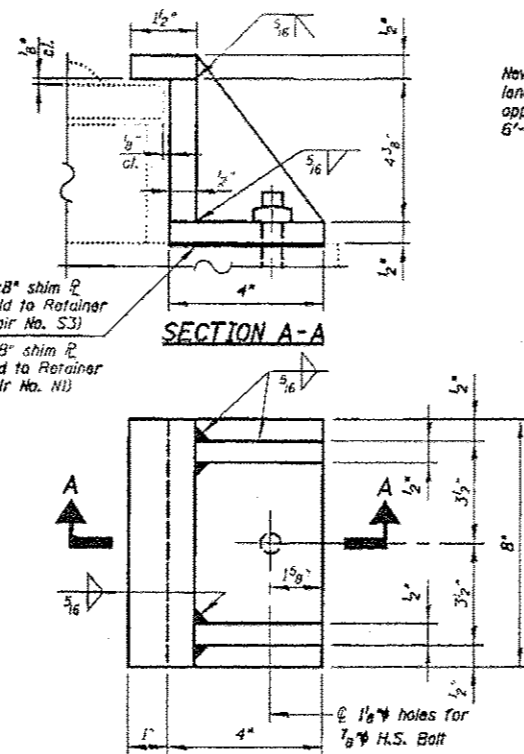


REPAIR NO'S. S3 & N1

REPAIR DETAIL ①

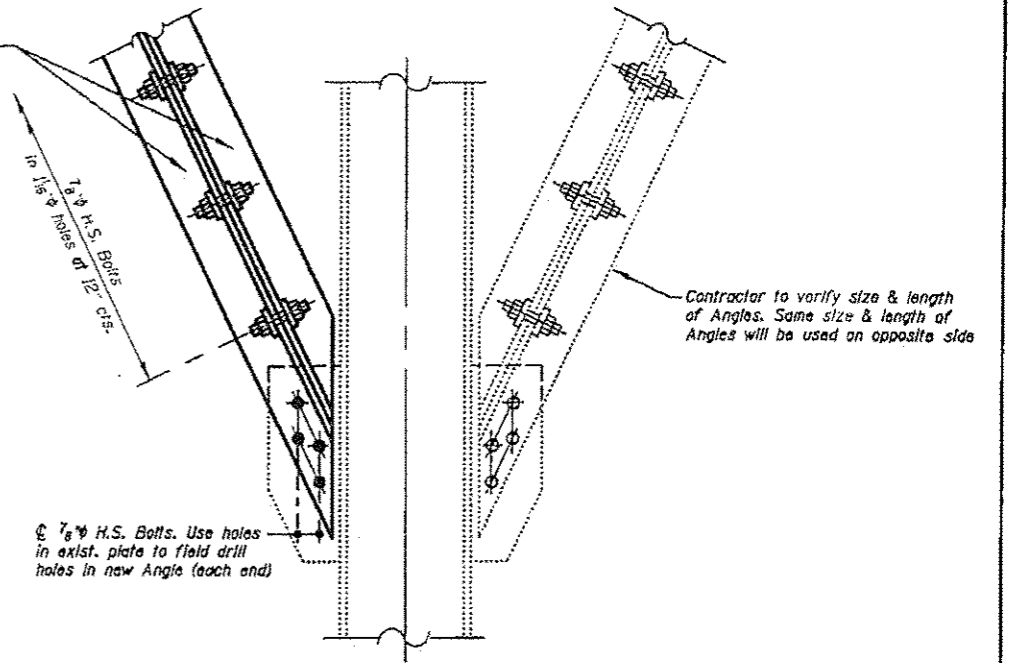
ELEVATION



SIDE RETAINER DETAILS

PLAN

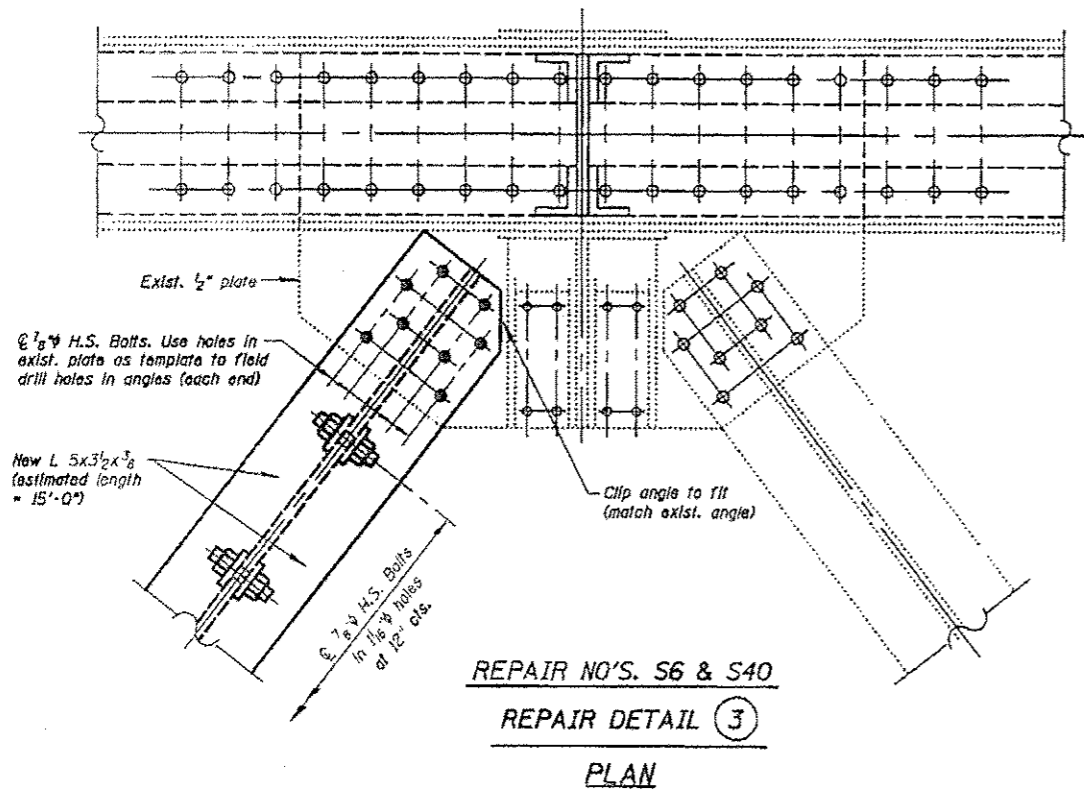
New angles to be same size & length as existing angle on opposite side (estimated length = 6'-0")



REPAIR NO'S. S5 & S58

REPAIR DETAIL ②

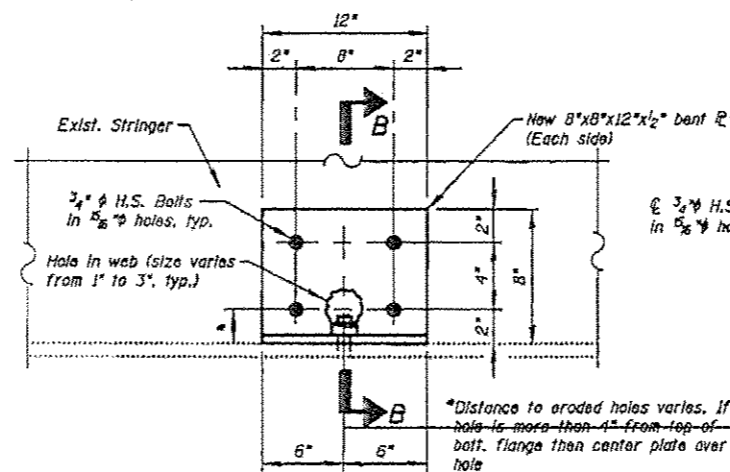
ELEVATION



REPAIR NO'S. S6 & S40

REPAIR DETAIL ③

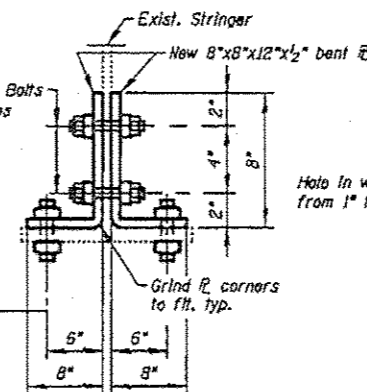
PLAN



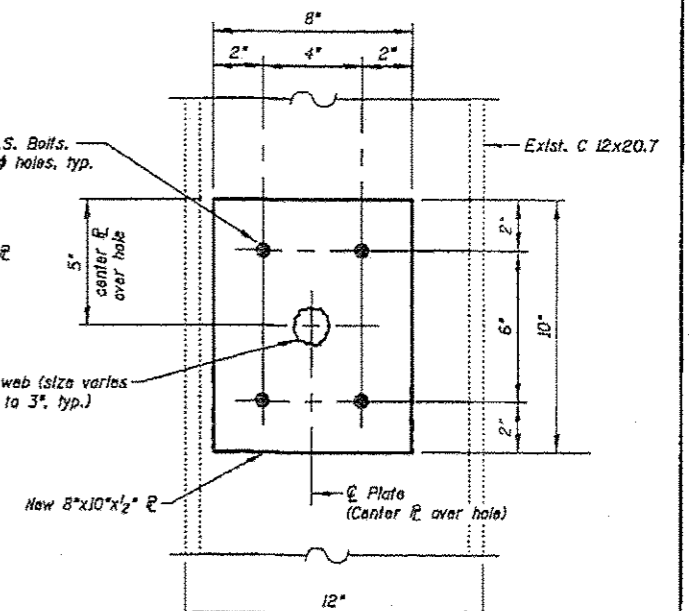
REPAIR NO'S. S7 THRU S10, S20 & S55  
N11 THRU N17, N19, N20, N34 & N47

REPAIR DETAIL ④

ELEVATION



SECTION B-B



REPAIR NO'S. S11 & N36

REPAIR DETAIL ⑤

PLAN

Note:  
See Sht. S49 for Bill of Material & General Notes

STATE OF ILLINOIS  
DEPARTMENT OF TRANSPORTATION

STRUCTURAL STEEL REPAIRS-I  
STRUCTURE NO'S. 099-0008 & 099-0009

SHEET NO. S45 OF S60 SHEETS

F.A.I. RTE.	SECTION	COUNTY	TOTAL SHEETS	SHEET NO.
95	07B, D-BR-1	WILL	106	83
			CONTRACT NO. 60R62	
ILLINOIS FIDEL AID PROJECT				