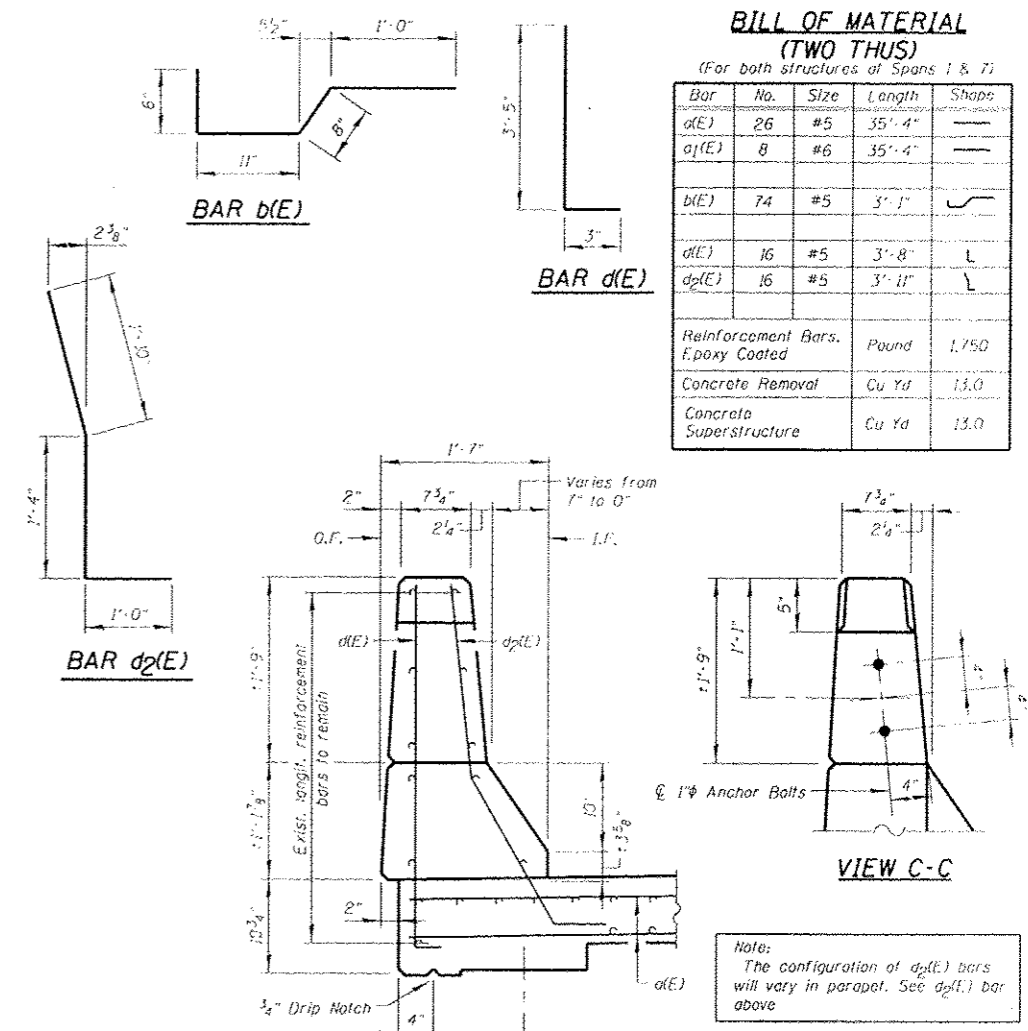


Note:
Remove & reinstall guardrail, if necessary,
to perform this work. Cost included with
Concrete removal

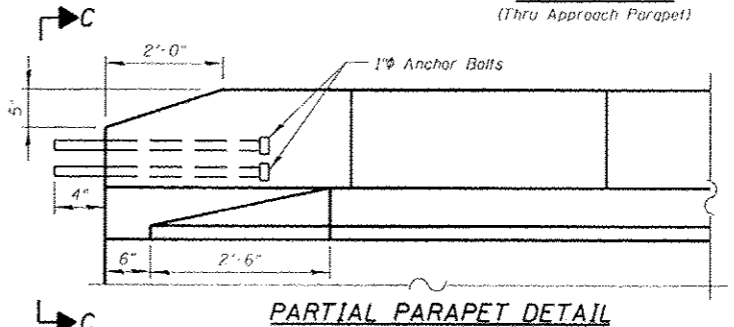
BILL OF MATERIAL
(TWO THUS)
(For both structures of Spans 1 & 7)

Bar	No.	Size	Length	Shape
a1(E)	26	#5	35'-4"	—
a1(E)	8	#6	35'-4"	—
b(E)	74	#5	3'-1"	—
d(E)	16	#5	3'-8"	L
dp(E)	16	#5	3'-11"	L
Reinforcement Bars, Epoxy Coated		Pound	1,750	
Concrete Removal		Cu Yd	13.0	
Concrete Superstructure		Cu Yd	13.0	



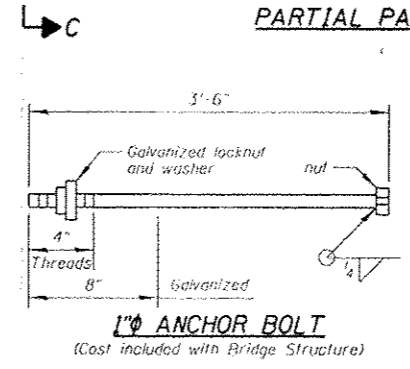
Note:
The configuration of dp(E) bars
will vary in parapet. See dp(E) bar
above

SECTION A-A
(Thru Approach Parapet)

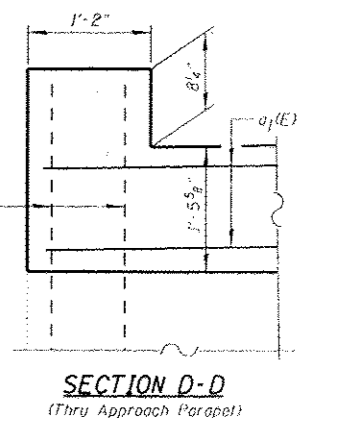


LEGEND:
O.F. = Outside Face
I.F. = Inside Face

Note:
See Sht. S23 for Section B-B

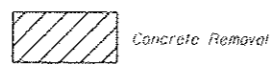


Note:
2-1" x 3'-6" long Anchor Bolts to be
used to reinstall guardrail at N. end of
Northbound & S. end of Southbound



EXISTING PLAN

PROPOSED PLAN



FILE NAME: I:\21423_1_55 over Eas Plumes\AS-Sub\Drawings\0002_Sheets\C182852-22-1-1.mxd; 15:53:46; 11/11/2013