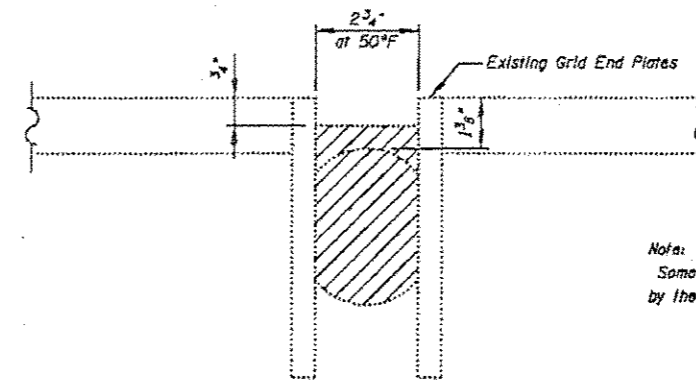


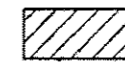
Note
Existing Silicone Joints to be replaced
with Strip Seals

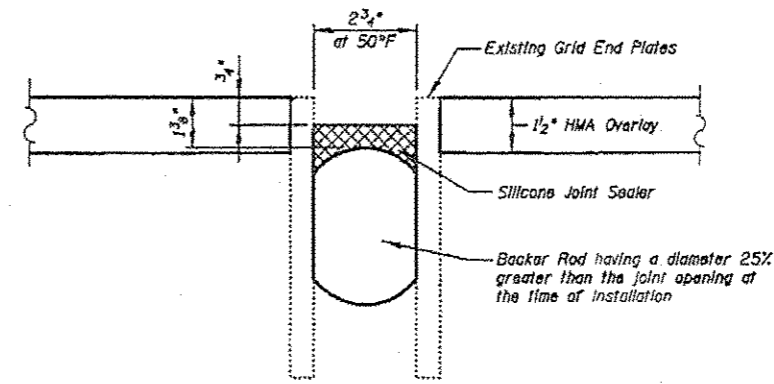
**SILICONE JOINT SEALER
AT NORTH & SOUTH ABUTMENTS**
North Abutment shown
South Abutment similar



Note:
Some grid end plates which are damaged to be replaced, as directed
by the Engineer. Cost Included with "Structural Steel Repair"

**SILICONE JOINT SEALER
ALONG TRUSS SPANS**

 Removal of Silicone Joint Sealer
(Cost Included with Silicone Joint Sealer)




Note:
Silicone Joint Sealer to be replaced out to out of deck

**SILICONE JOINT SEALER
ALONG TRUSS SPANS**
(See Deck Plan for locations)
(9 thus at each structure = 18 total)

BILL OF MATERIAL

DESCRIPTION	UNIT	TOTAL
Silicone Joint Sealer, 2.75"	Foot	648

FILE NAME = I:\11031212_1-55 over Des Plaines\Structural\CADD Sheets\066862-19-silicone_joints.dgn

 CHRISTIAN-ROGE & ASSOCIATES, INC.	USER NAME = IDGT	DESIGNED - J.C.N./B.H.S./J.W.	REVISED -	STATE OF ILLINOIS DEPARTMENT OF TRANSPORTATION	SILICONE JOINT SEALER DETAILS STRUCTURE NO'S. 099-0008 & 099-0009	F.A.I. RFE	SECTION	COUNTY	TOTAL SHEETS	SHEET NO.
	PLOT SCALE = 5/8" = 1' / DL	CHECKED - B.H.S./J.W.	REVISED -			55	07B, D-BR-1	WILL	106	58
	PLOT DATE = 3/19/2013	DRAWN - F.M.	REVISED -			CONTRACT NO. 60R62				
	DATE - MARCH 20, 2013	REVISED -	ILLINOIS FED. AID PROJECT							
					SHEET NO. 519 OF 560 SHEETS					