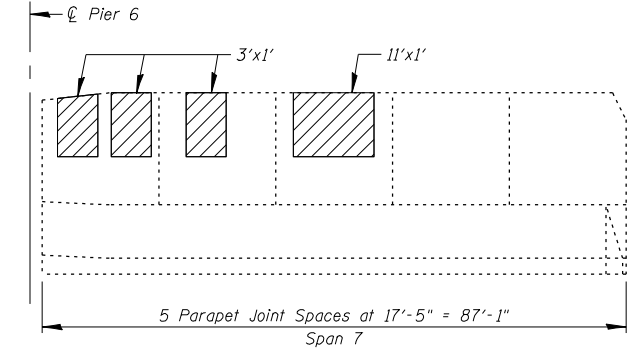
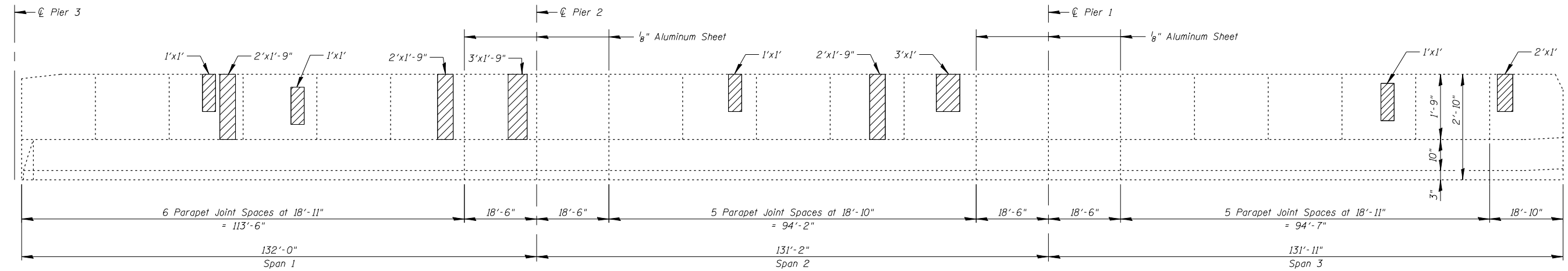


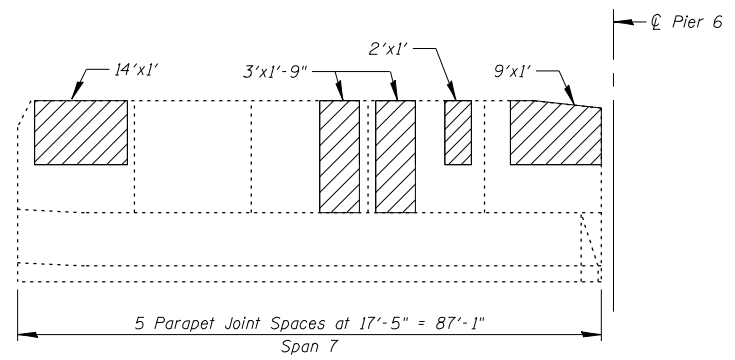
INSIDE ELEVATION OF EAST PARAPET
(at North end of bridge)



INSIDE ELEVATION OF EAST PARAPET
(at South end of bridge)



INSIDE ELEVATION OF WEST PARAPET
(at North end of bridge)



INSIDE ELEVATION OF WEST PARAPET
(at South end of bridge)

Note:
Patches are shown enlarged for clarity

LEGEND
 Structural Repair of Concrete
 (Depth Equal to or Less Than 5 inches)
 (Inside Face of Parapet)

BILL OF MATERIAL

| DESCRIPTION | UNIT | TOTAL |
|---|-------|-------|
| Structural Repair of Concrete (Depth Equal to or Less Than 5 inches) | Sq Ft | 142 |

FILE NAME = it\103103.1+55 over des planes\structure\cadd sheets\160R62-15-per-repairs-SB.dgn

CHRISTIAN-ROGE & ASSOCIATES, INC.

| | | |
|------------------------------|-------------------------------|-----------|
| USER NAME = IDOT | DESIGNED - J.C.N./B.N.S./J.W. | REVISED - |
| PLOT SCALE = 100.0000' / IN. | CHECKED - B.N.S./J.W. | REVISED - |
| PLOT DATE = 1/18/2013 | DRAWN - F.M. | REVISED - |
| | DATE - JANUARY 16, 2013 | REVISED - |

**STATE OF ILLINOIS
DEPARTMENT OF TRANSPORTATION**

**PARAPET REPAIR-APPROACH SPANS-SOUTHBOUND
STRUCTURE NO. 099-0008**

SHEET NO. S15 OF S60 SHEETS

| | | | | |
|---------------------------|---------------------|-------------|------------------|--------------|
| F.A.I. RTE. 55 | SECTION 87B, D-BR-I | COUNTY WILL | TOTAL SHEETS 106 | SHEET NO. 54 |
| CONTRACT NO. 60R62 | | | | |
| ILLINOIS FED. AID PROJECT | | | | |