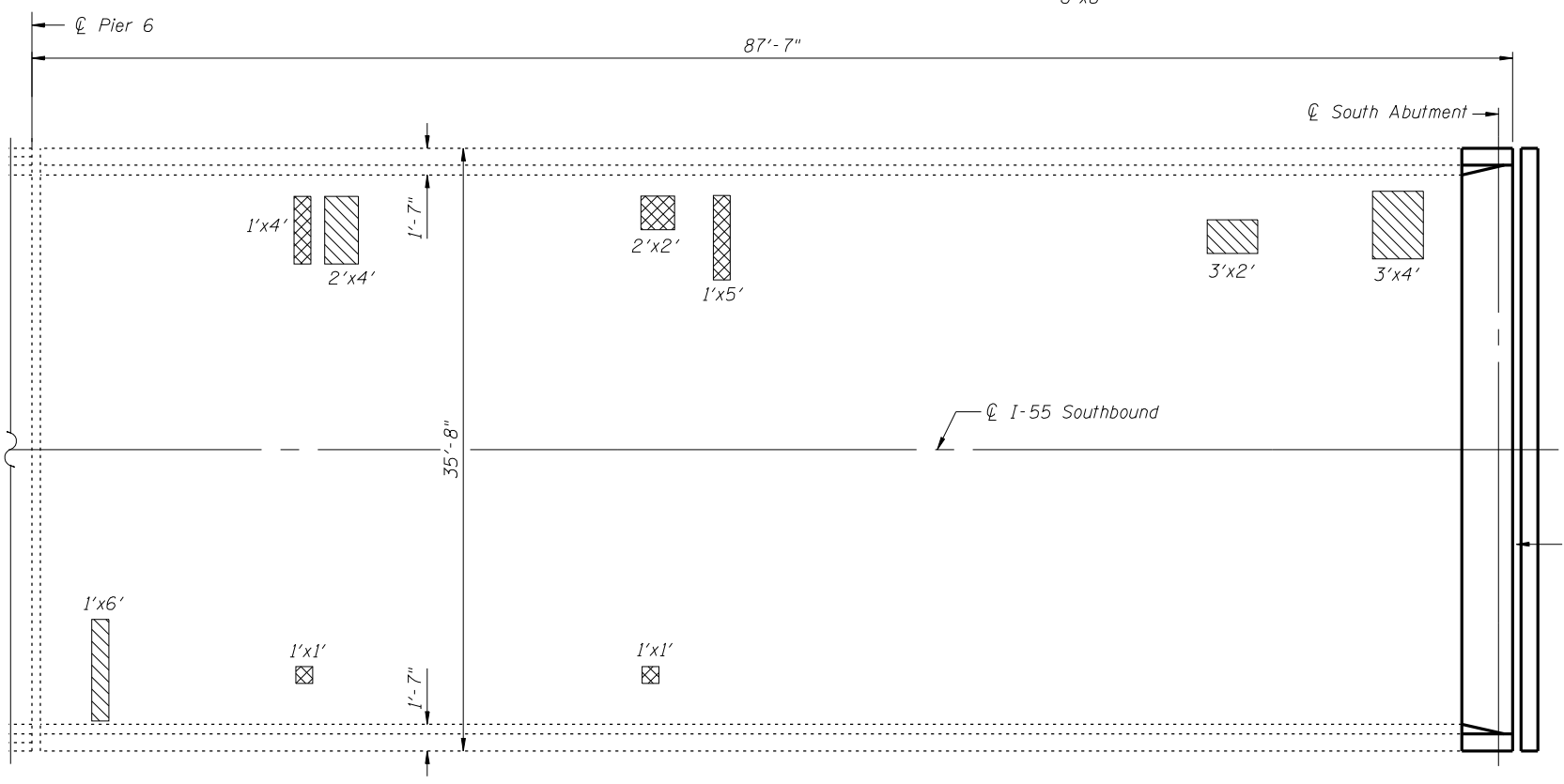


DECK PLAN - SPAN 6 (PP4'-PP0')



DECK PLAN - SPAN 7



- LEGEND:**
- Deck Slab Repair (Full Depth, Type I)
 - Deck Slab Repair (Full Depth, Type II)
 - Deck Slab Repair (Partial)

BILL OF MATERIAL

DESCRIPTION	UNIT	TOTAL
Deck Slab Repair (Full Depth, Type I)	sq Yd	2
Deck Slab Repair (Full Depth, Type II)	sq Yd	4
Deck Slab Repair (Partial)	sq Yd	24

FILE NAME = it\103103.1-55 over des planes\Structure\1\CADD Sheets\160R62-09-SB_Dk_Plan-V.dgn



USER NAME = IDOT
 DESIGNED - J.C.N./B.N.S./J.W.
 CHECKED - B.N.S./J.W.
 DRAWN - F.M.
 DATE - JANUARY 16, 2013

REVISED -
 REVISED -
 REVISED -
 REVISED -

**STATE OF ILLINOIS
 DEPARTMENT OF TRANSPORTATION**

**DECK PLAN REPAIRS - SOUTHBOUND-V
 STRUCTURE NO. 099-0008**

SHEET NO. S9 OF S60 SHEETS

F.A.I. RTE.	SECTION	COUNTY	TOTAL SHEETS	SHEET NO.
55	87B, D-BR-I	WILL	106	48
CONTRACT NO. 60R62				
ILLINOIS FED. AID PROJECT				