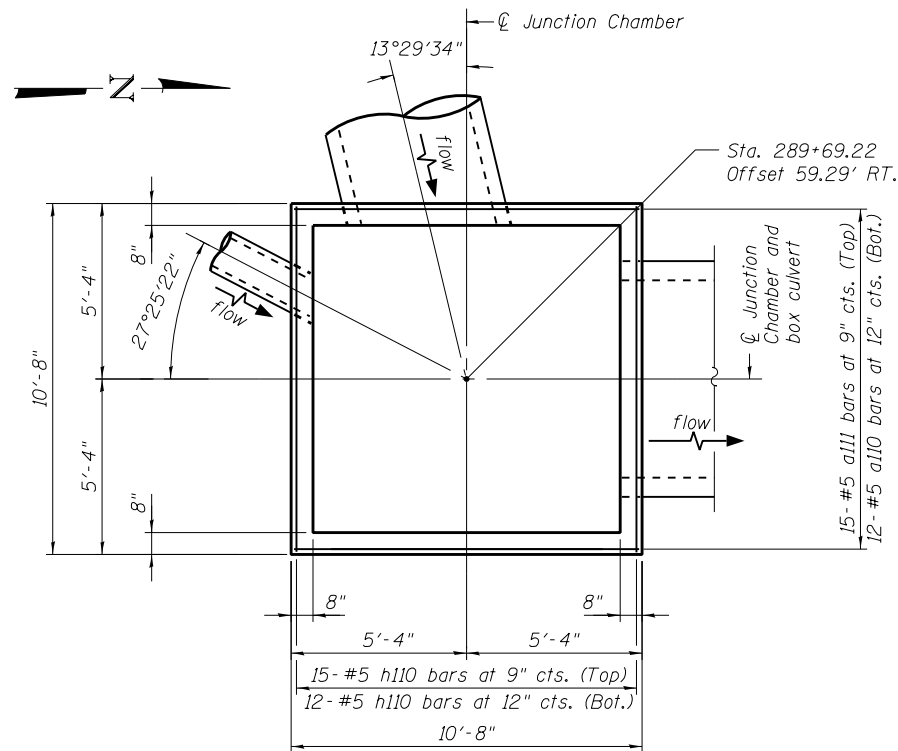
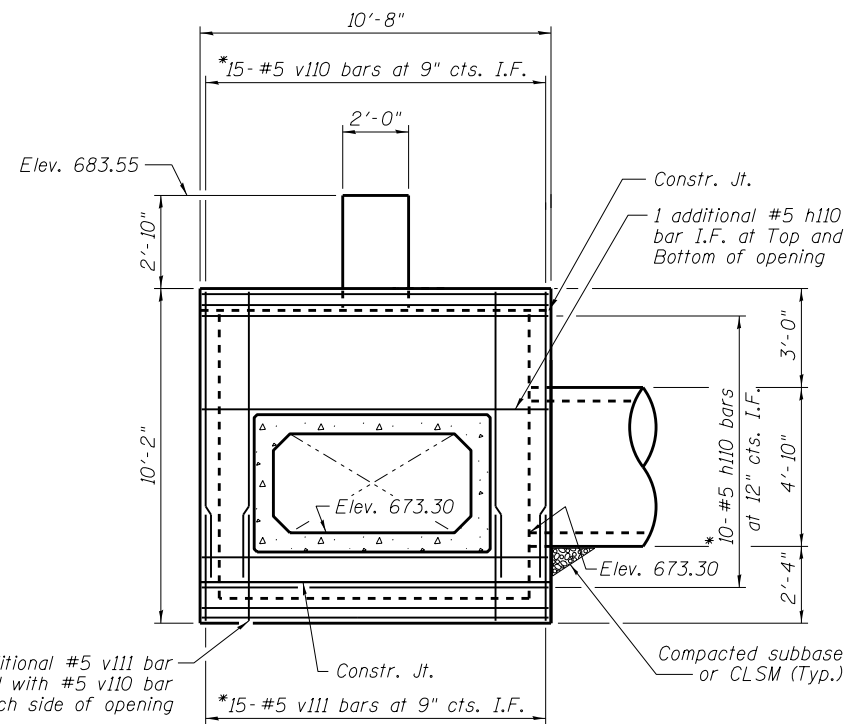


TOP PLAN

*Trim to fit around opening



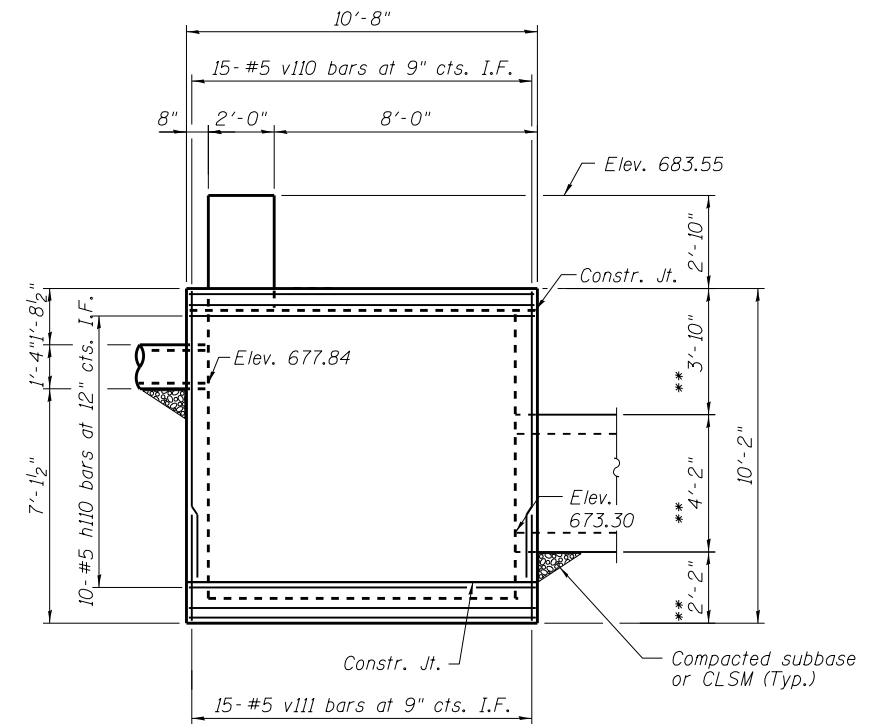
BOTTOM PLAN



NORTH ELEVATION

(Looking South)

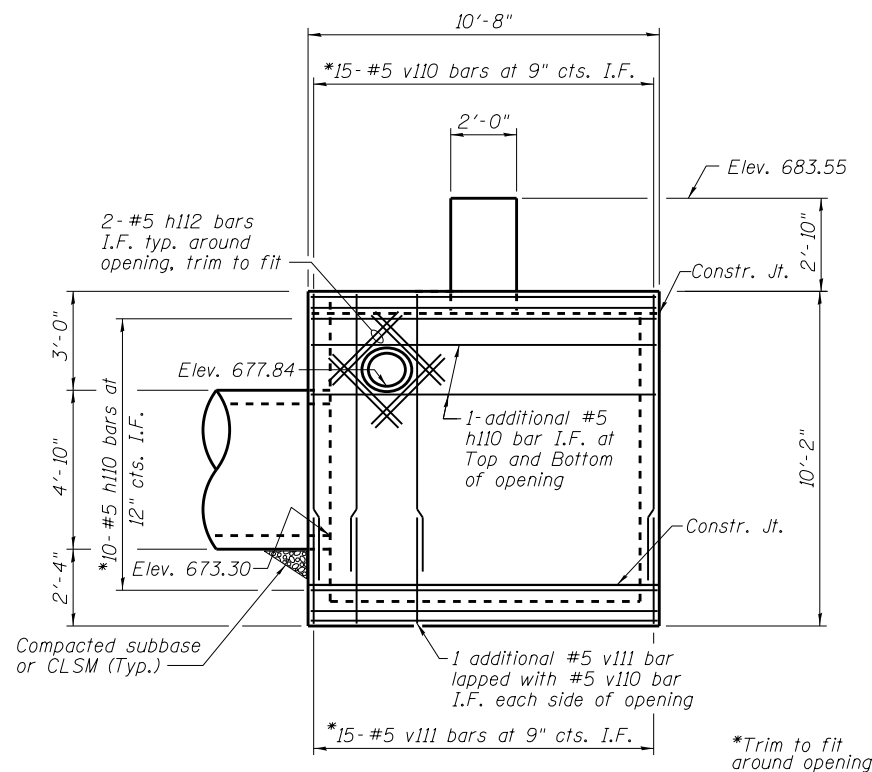
*Trim to fit around opening



EAST ELEVATION

(Looking West)

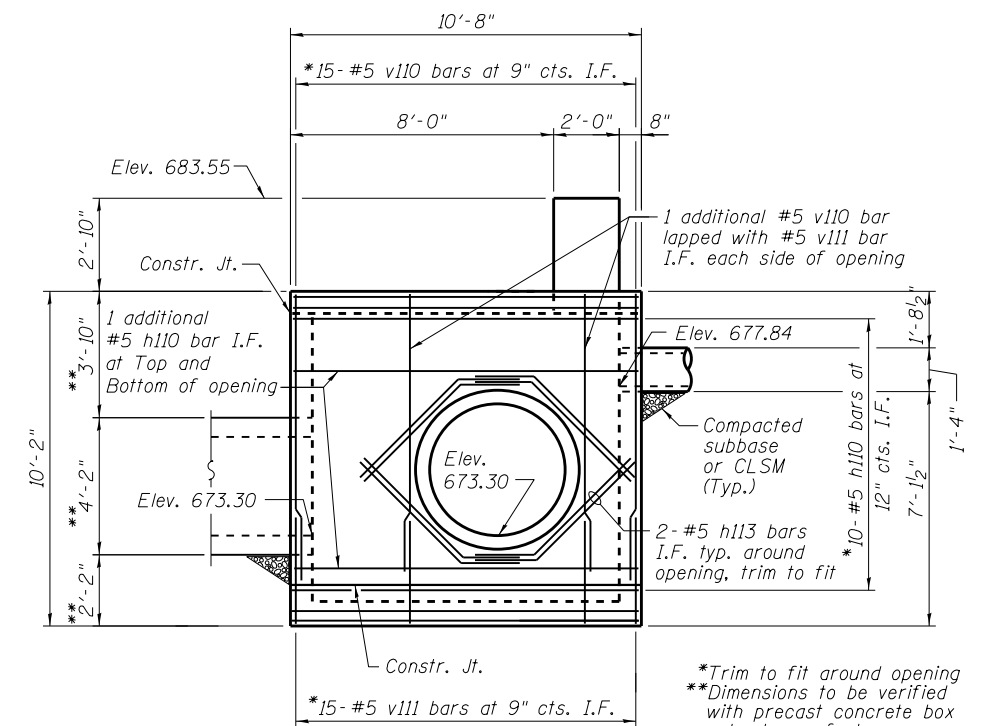
**Dimensions to be verified with precast concrete box culvert manufacturer.



SOUTH ELEVATION

(Looking North)

*Trim to fit around opening



WEST ELEVATION

(Looking East)

*Trim to fit around opening
**Dimensions to be verified with precast concrete box culvert manufacturer.