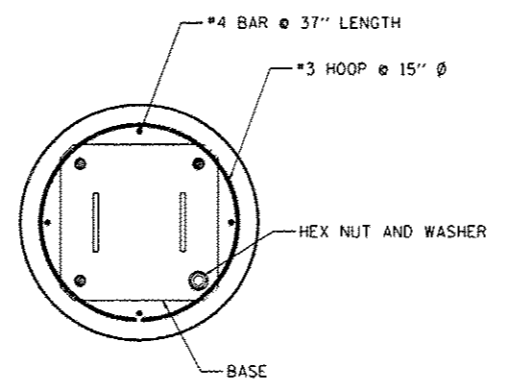
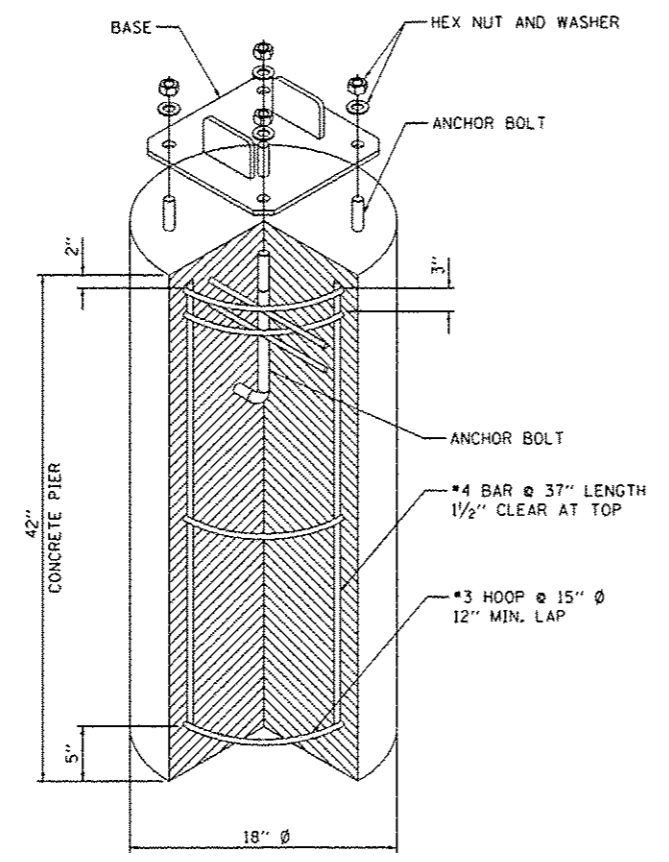


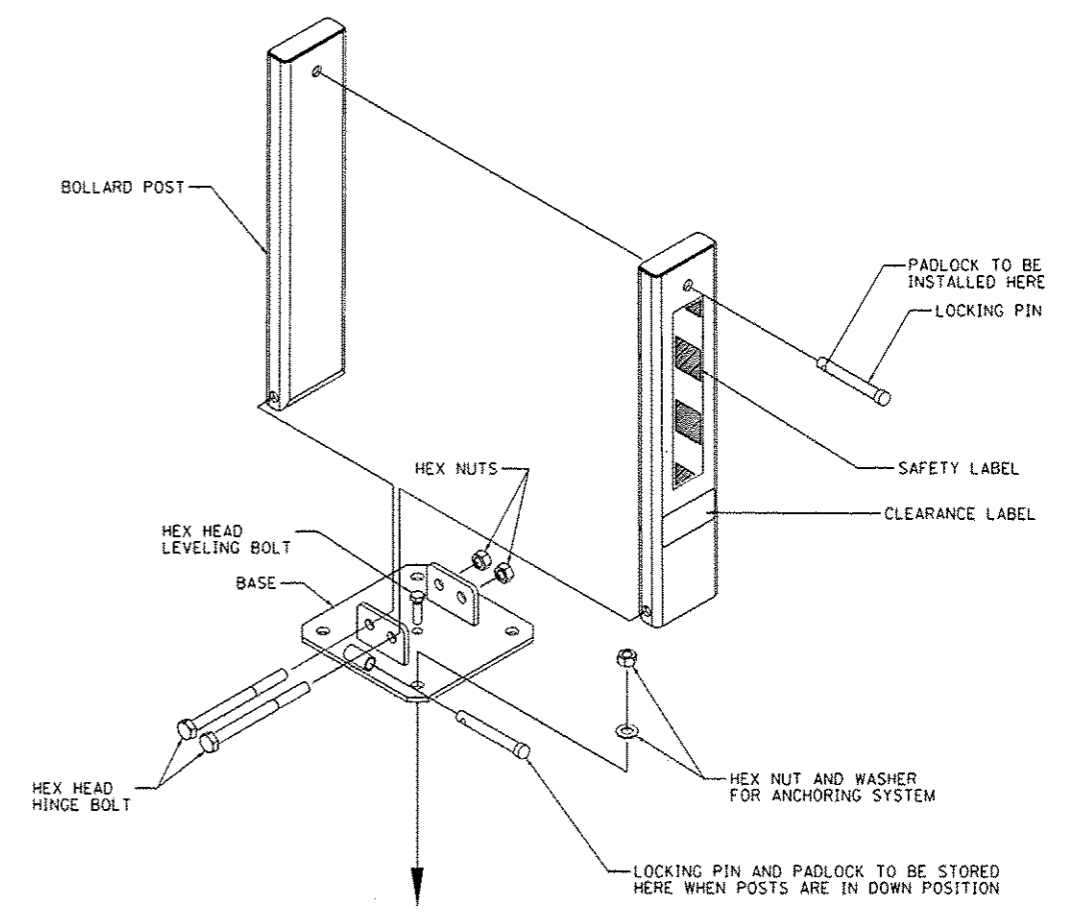
ELEVATION



SECTION



ANCHOR SYSTEM



DOUBLE HINGE BOLLARD POST

FILE NAME *	USER NAME * Kristin Simmons	DESIGNED - KLT	REVISED -
L:\11007\1106618\WD_8\Draw\CADD_Sheets\MacConatDetails.001.dgn		DRAWN - GLD	REVISED -
Default	PLOT SCALE * 100.0000 "/in	CHECKED - SPH	REVISED -
	PLOT DATE * 2/5/2013	DATE - 2/1/2013	REVISED -

**STATE OF ILLINOIS
DEPARTMENT OF TRANSPORTATION**

FOLD DOWN BOLLARD DETAILS			
ROCK ISLAND TRAIL STATE PARK			
SCALE: N.T.S.	SHEET	OF SHEETS	STA. TO STA.

F.A. RTE.	SECTION	COUNTY	TOTAL SHEETS	SHEET NO.
	PARK ROADS	PEORIA/STAR	37	37
CONTRACT NO. 46256				
ILLINOIS FED. AID PROJECT				