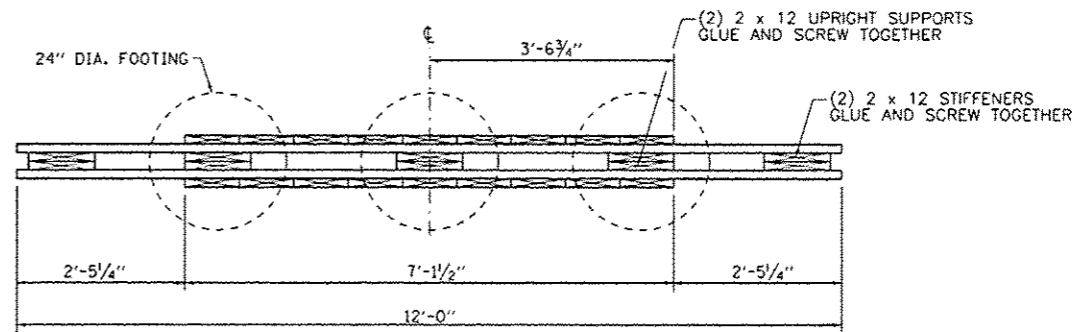
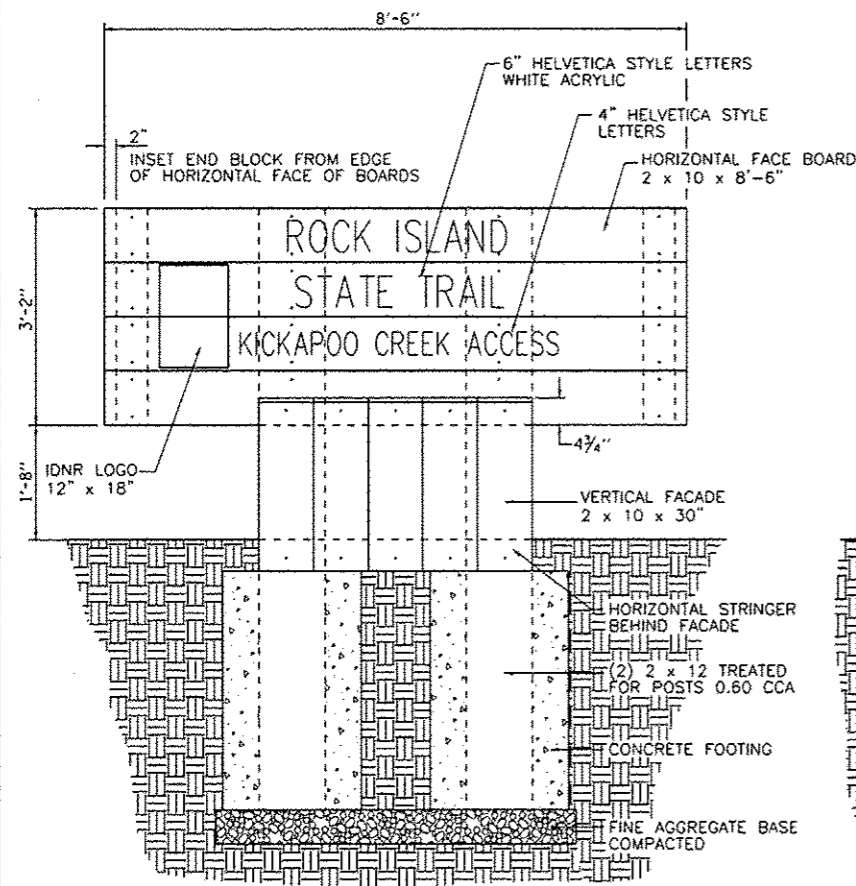


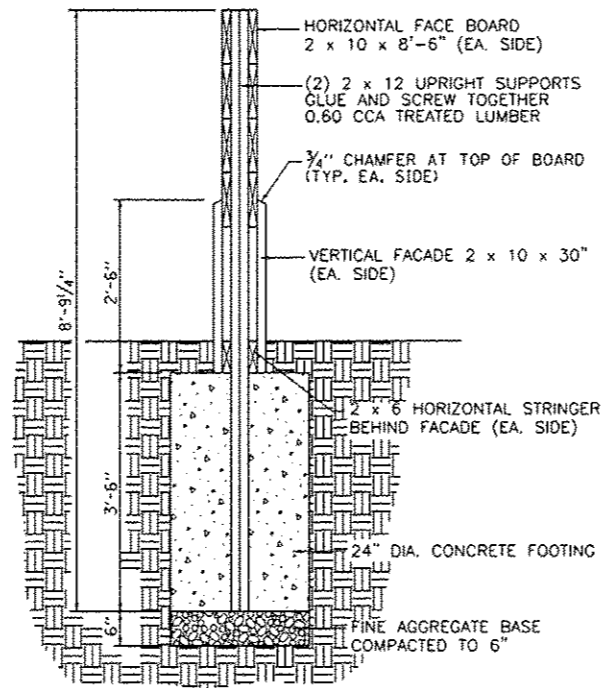
PLAN VIEW - ENTRANCE SIGN



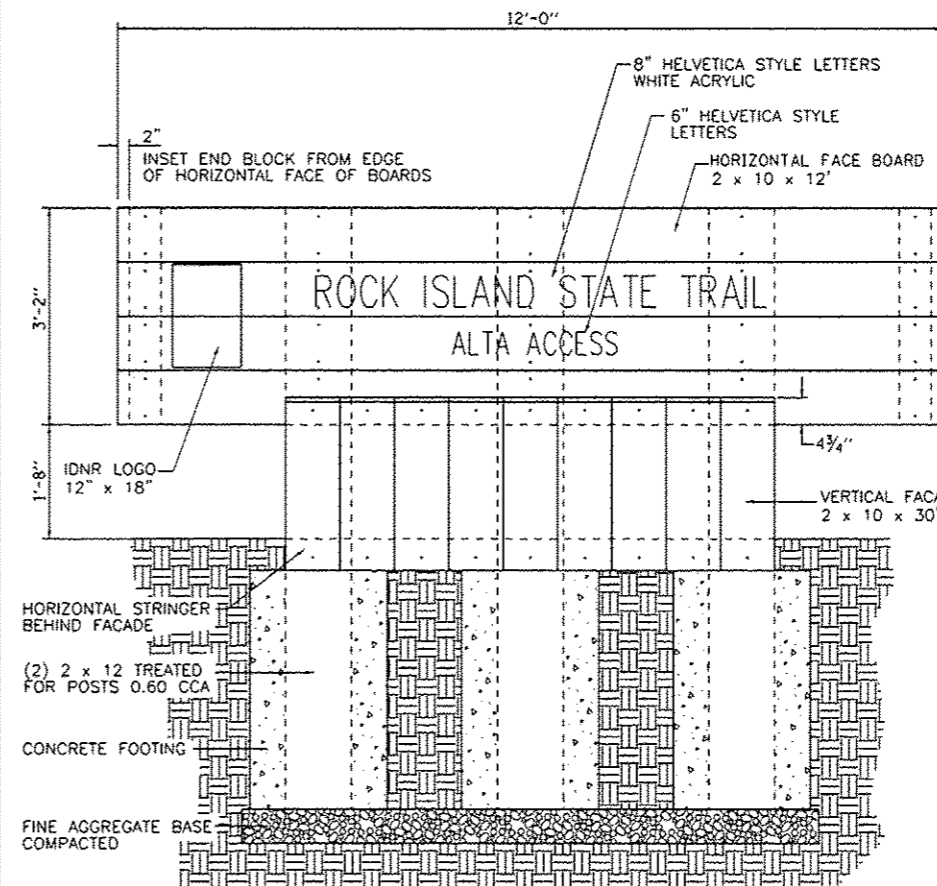
PLAN VIEW - ENTRANCE SIGN



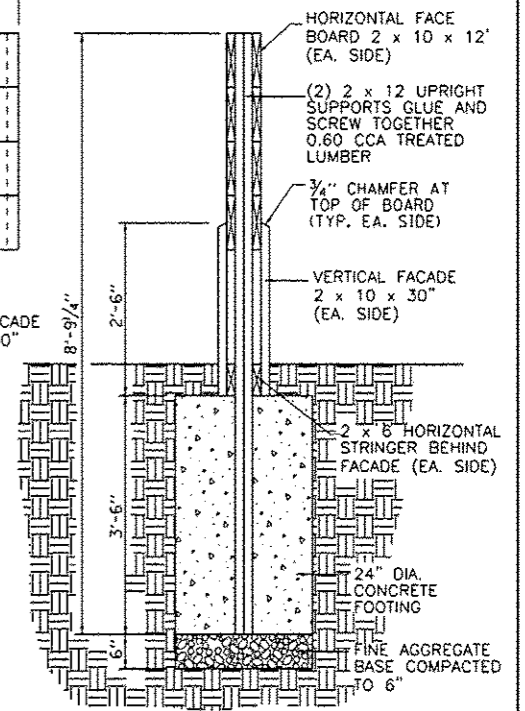
ELEVATION - ENTRANCE SIGN



SIDE VIEW - ENTRANCE SIGN



ELEVATION - ENTRANCE SIGN



SIDE VIEW - ENTRANCE SIGN

SMALL ENTRANCE SIGN DETAILS

LARGE ENTRANCE SIGN DETAILS

|  |                                |                   |           |
|--|--------------------------------|-------------------|-----------|
| FILE NAME :<br>L:\1007\1106618\WD_8\Draw\CADD_Sheets\MapConstDetails_001.dgn | USER NAME :<br>Kristin Timmons | DESIGNED -<br>KLT | REVISED - |
| PLOT SCALE :<br>2.6656 / 1" = 1'   | CHECKED -<br>SPH               | DRAWN -<br>GLD    | REVISED - |
| PLOT DATE :<br>2/5/2013  | DATE -<br>2/11/2013            |                   | REVISED - |

STATE OF ILLINOIS  
DEPARTMENT OF TRANSPORTATION

|                              |       |           |              |
|------------------------------|-------|-----------|--------------|
| ENTRANCE SIGNS DETAILS       |       |           |              |
| ROCK ISLAND TRAIL STATE PARK |       |           |              |
| SCALE: N.T.S.                | SHEET | OF SHEETS | STA. TO STA. |

|                           |            |              |                    |           |
|---------------------------|------------|--------------|--------------------|-----------|
| F.A. RTE.                 | SECTION    | COUNTY       | TOTAL SHEETS       | SHEET NO. |
|                           | PARK ROADS | PEORIA/STARK | 37                 | 36        |
|                           |            |              | CONTRACT NO. 46256 |           |
| ILLINOIS FED. AID PROJECT |            |              |                    |           |