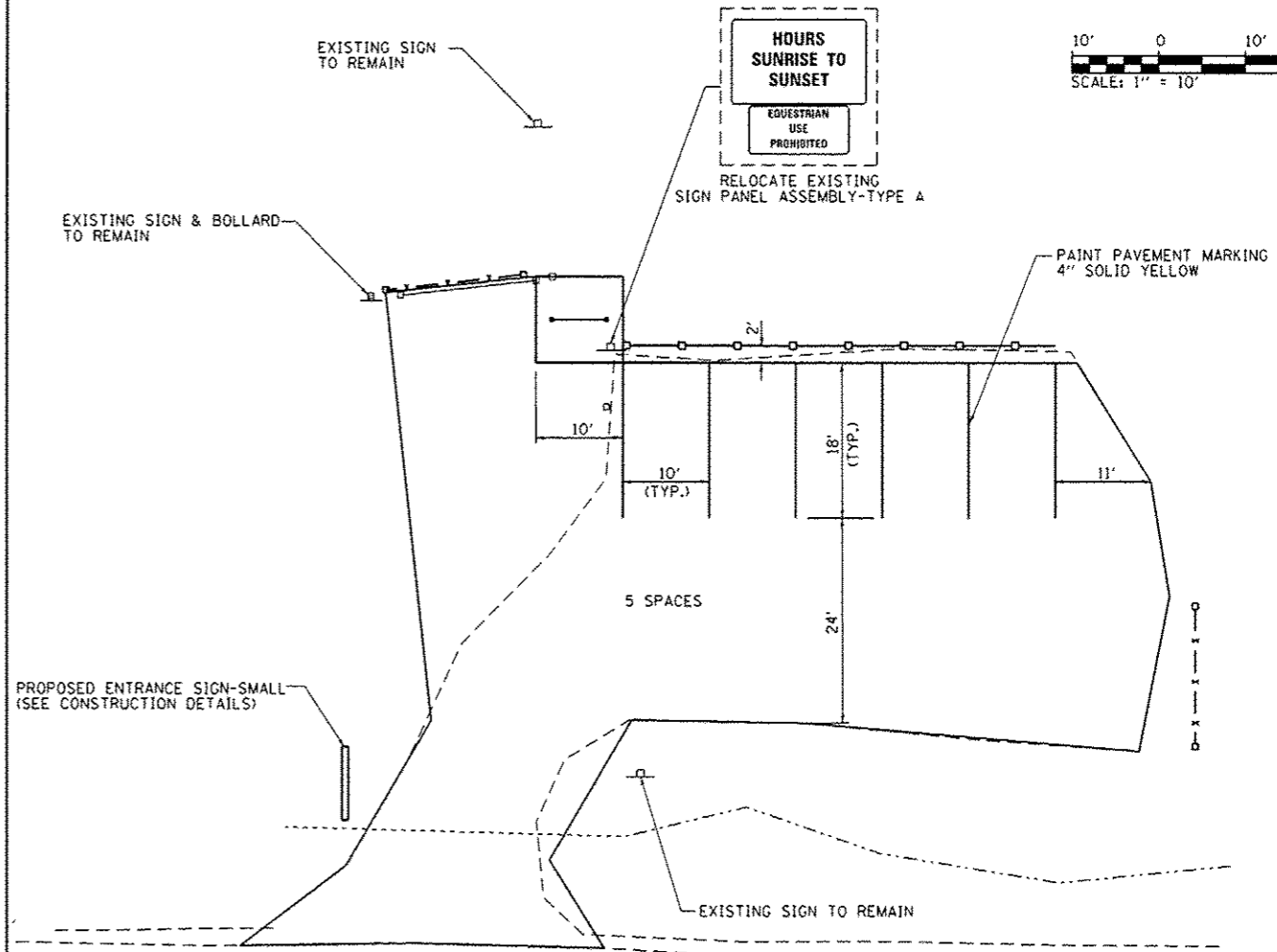
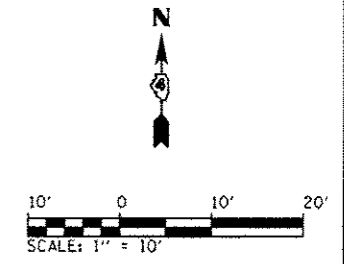
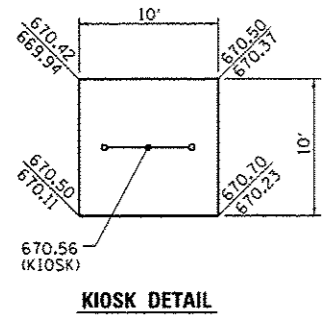


**LEGEND**

671.00 PROPOSED ELEVATION  
 670.00 EXISTING ELEVATION

COORDINATE LISTING			
POINT NO.	NORTHING	EASTING	DESCRIPTION
1	1515730.393	2437516.733	EOP
2	1515739.684	2437528.901	EOP
3	1515756.507	2437538.753	EOP
4	1515806.267	2437533.458	EOP
5	1515808.120	2437550.873	EOP
6	1515808.120	2437560.959	EOP
7	1515798.120	2437560.959	EOP
8	1515798.120	2437550.873	EOP
9	1515798.120	2437613.459	EOP
10	1515784.401	2437621.992	EOP
11	1515771.076	2437624.177	EOP
12	1515753.003	2437620.650	EOP
13	1515756.263	2437582.157	EOP
14	1515756.623	2437561.998	EOP
15	1515740.373	2437552.481	EOP
16	1515730.096	2437558.835	EOP
17	1515730.661	2437537.020	EOP
18	1515806.561	2437533.497	GATE POST
19	1515808.325	2437549.400	GATE POST
20	1515769.913	2437627.151	GATE POST
21	1515753.580	2437627.151	GATE POST
22	1515803.120	2437555.873	KIOSK



**NOTES:**

1. ALL DIMENSIONS ARE TO CENTER OF PAVEMENT MARKING LINE.
2. RELOCATION OF EXISTING TYPE A SIGN PANEL ASSEMBLY SHALL BE DETERMINED BY THE ENGINEER.
3. FINAL LOCATION OF ENTRANCE SIGN SHALL BE AS DIRECTED BY THE ENGINEER.