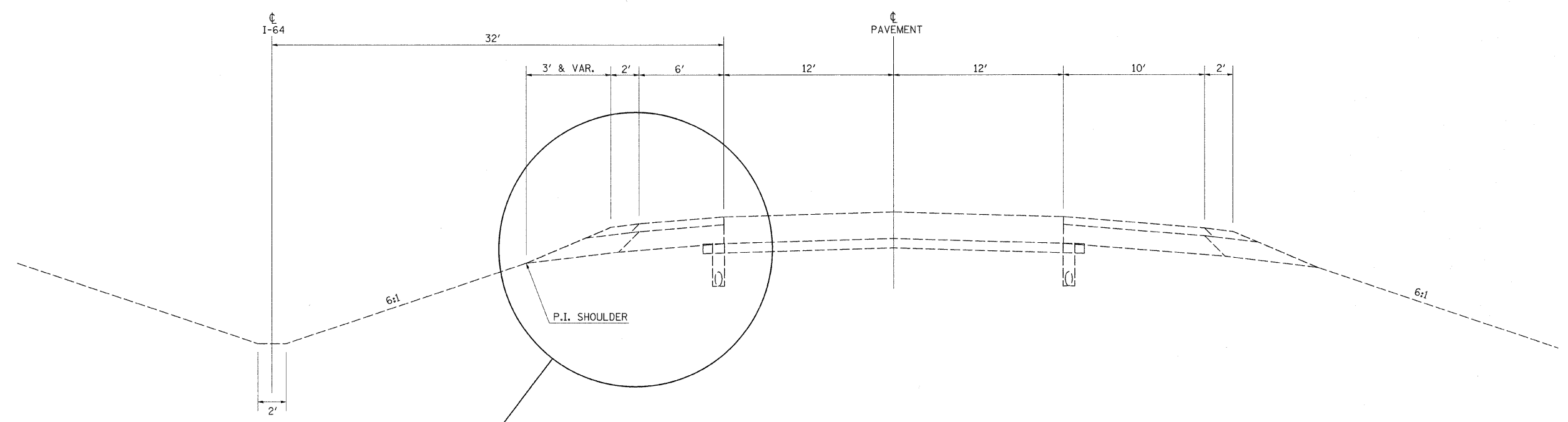


EXISTING TYPICAL CROSS SECTION

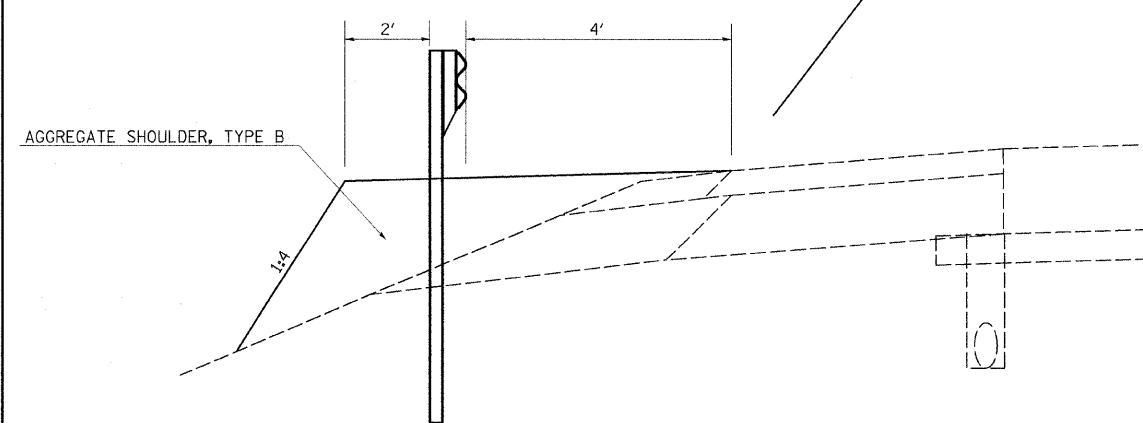
FAI-64

STATION 3378+00 TO STATION 4590+00



DETAIL "A"

EB STA. 3946+50.00 TO STA. 3950+51.39
WB STA. 3950+21.79 TO STA. 3954+10.20



FILE NAME = c:\projects\74285d\sh\ttypicals_74285.dgn	USER NAME = swartzw	DESIGNED - JLD	REVISED -	STATE OF ILLINOIS DEPARTMENT OF TRANSPORTATION	TYPICAL CROSS SECTION	F.A.I. RTE. I-64	SECTION D7 SAFETY 2008-4	COUNTY WAYNE	TOTAL SHEETS 51	SHEET NO. 4
PLOT SCALE = 20,0000' / IN.		CHECKED - DHR	REVISED -	SCALE: N/A SHEET NO. OF SHEETS STA. TO STA.		FED. ROAD DIST. NO. ILLINOIS FED. AID PROJECT		CONTRACT NO. 74285		
PLOT DATE = 1/30/2008		DATE - 01-08	REVISED -							