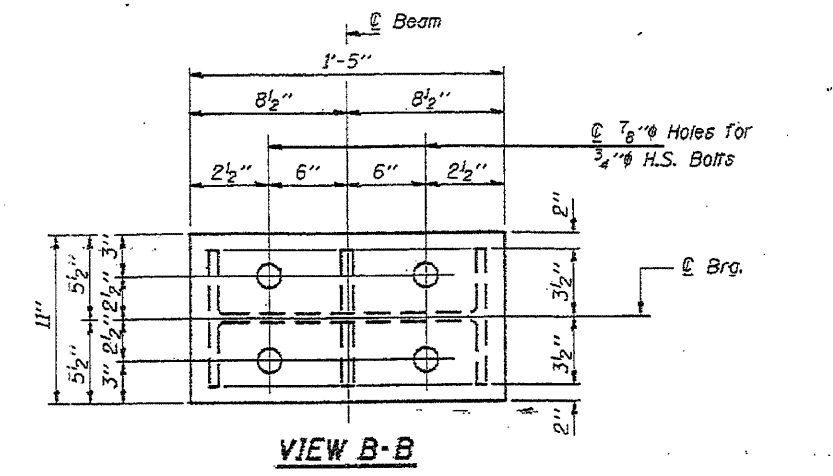
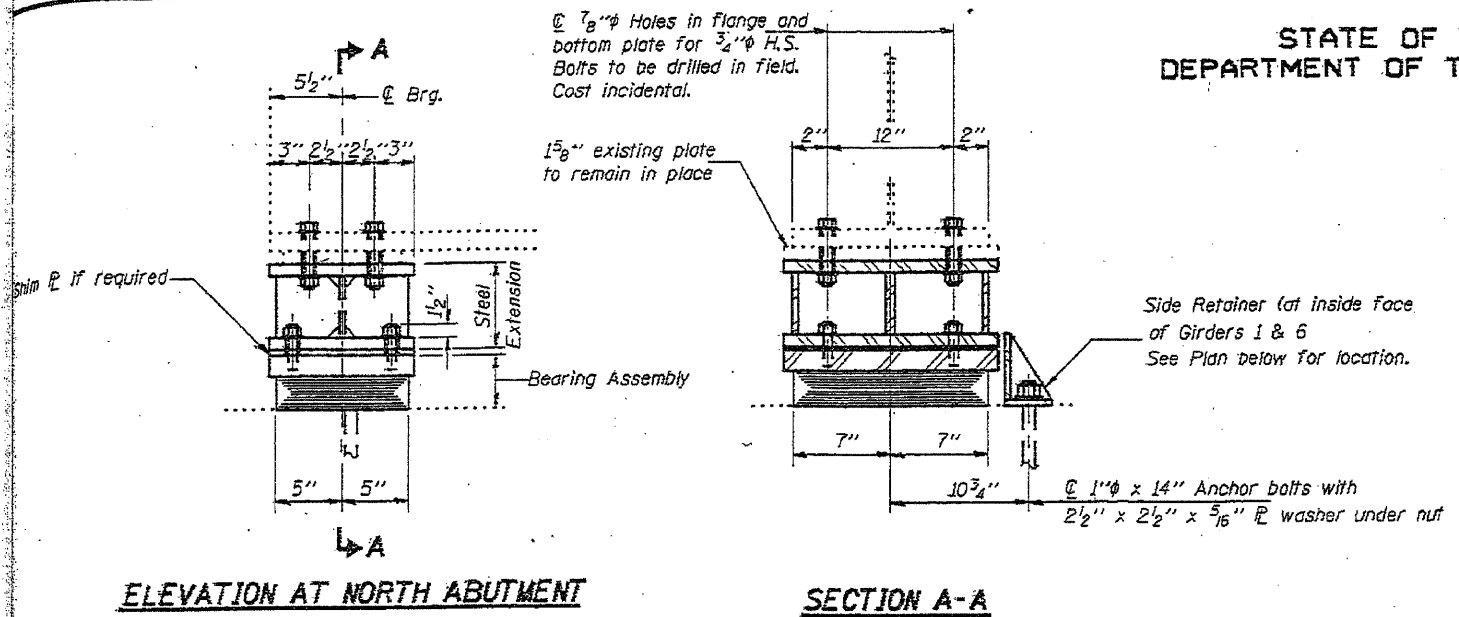
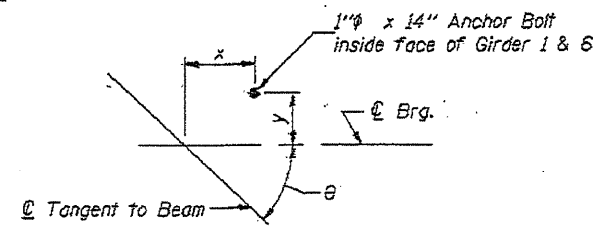
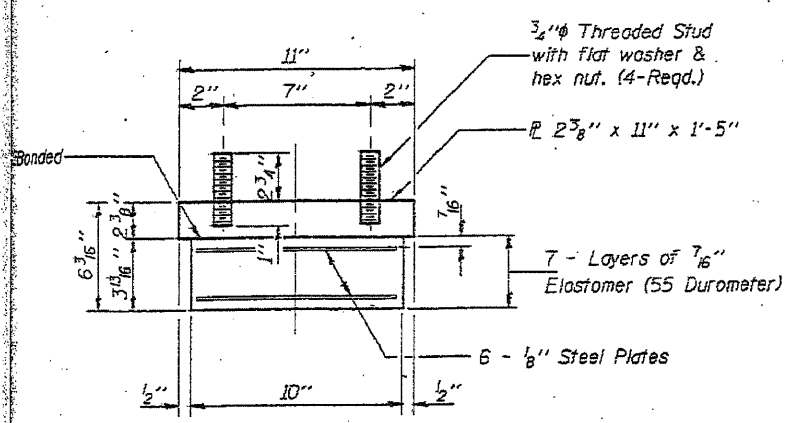


STATE OF ILLINOIS  
DEPARTMENT OF TRANSPORTATION

ROUTE NO.	SECTION	COUNTY	TOTAL SHEETS	SHEET NO.
F.A.I. 74	D-2 BRIDGE	ROCK ISLAND	42	19A
FED. ROAD DIST. NO. 1		ILLINOIS	FED. AID PROJECT	

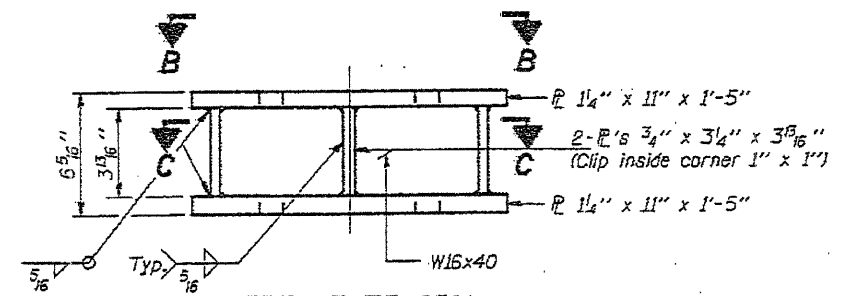


**TYPE I ELASTOMERIC EXP. BRG.**

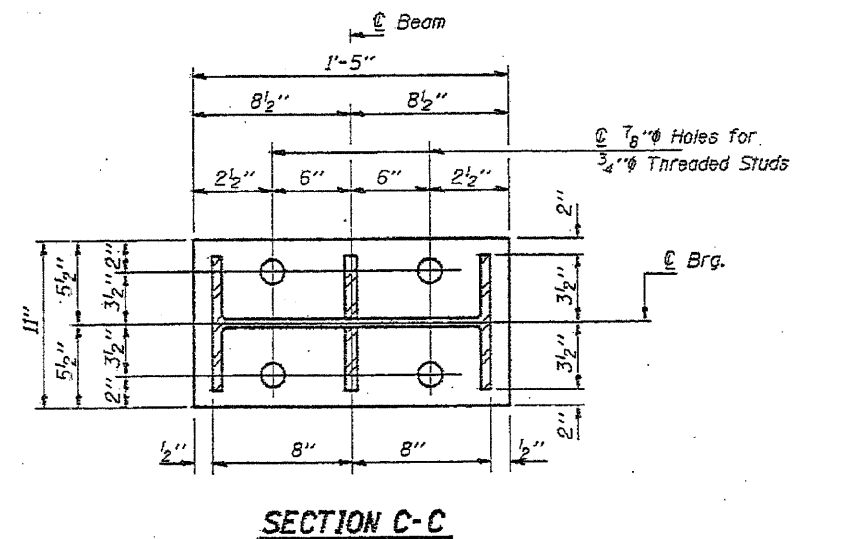


For anchor bolt installation details see sheet 26 of 27. For dimensions and angles see table below.

Girders	1	6
$\theta$	40°-06'-54"	36°-46'-03"
x	6 7/8"	6 3/8"
y	8 1/4"	8 3/8"



Equivalent welded plates will be allowed in lieu of the W16x40 section.



**BILL OF MATERIAL**

Item	Unit	Total
Elastomeric Bearing Assembly, Type I	Each	6
Jack and Remove Existing Bearings	Each	6

Notes: See sheet 25 of 27 for Jack and Remove Existing Bearing Procedure. Existing anchor bolts which are not under side retainer shall be covered with a 2" thick layer of cement mortar. Cost is incidental to "Jack and Remove Existing Bearings".

**FOR INFORMATION ONLY**

AS REVISED 4-21-92 D.A.B.

STRUCTURAL STEEL AND NORTH ABUTMENT BEARING DETAILS

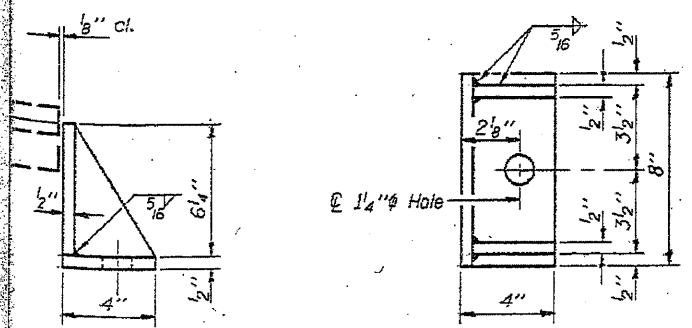
F.A.I. RT. 74 SEC. 81-1HB-5

ROCK ISLAND COUNTY

STA. 365+51.01

LOCATION 2 SN. 081-0108

Note: Shim plates shall not be placed under Bearing Assembly.



Equivalent rolled angle with stiffeners will be allowed in lieu of welded plates.

December 21 1990

EXAMINED [Signature] ENGINEER OF BRIDGE DESIGN

PASSED [Signature] ENGINEER OF BRIDGES AND STRUCTURES

APPROVED [Signature] DIRECTOR OF HIGHWAYS

Paul Summer

MSA