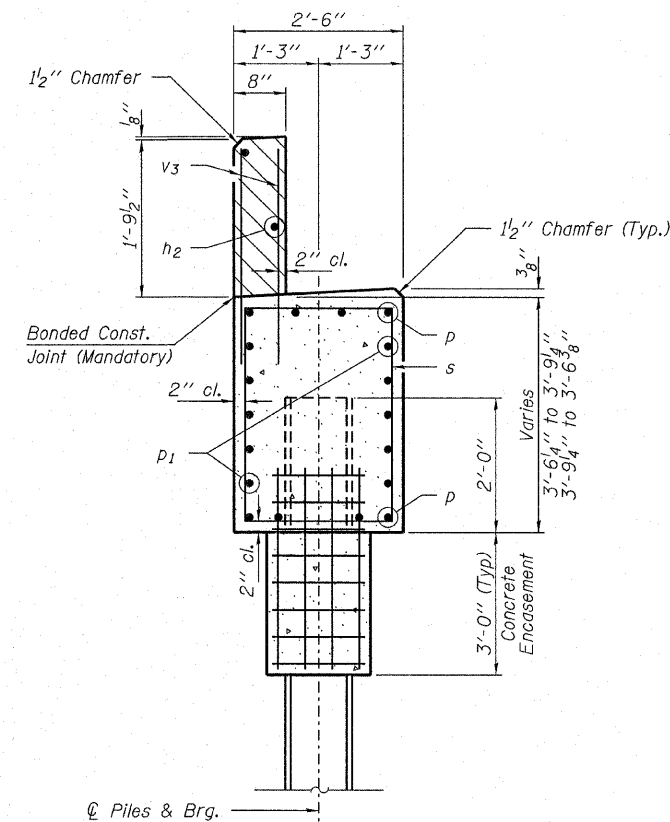


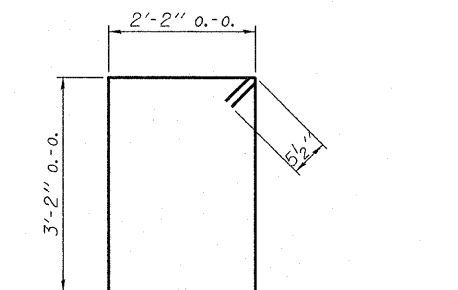
PLAN

Note: Elevations shown in PLAN are to top of cap.

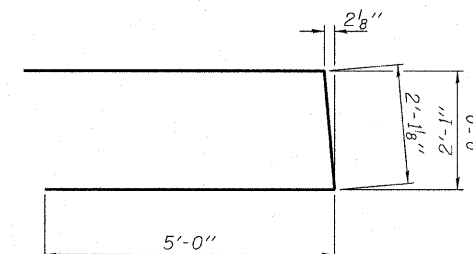


SECTION A-A

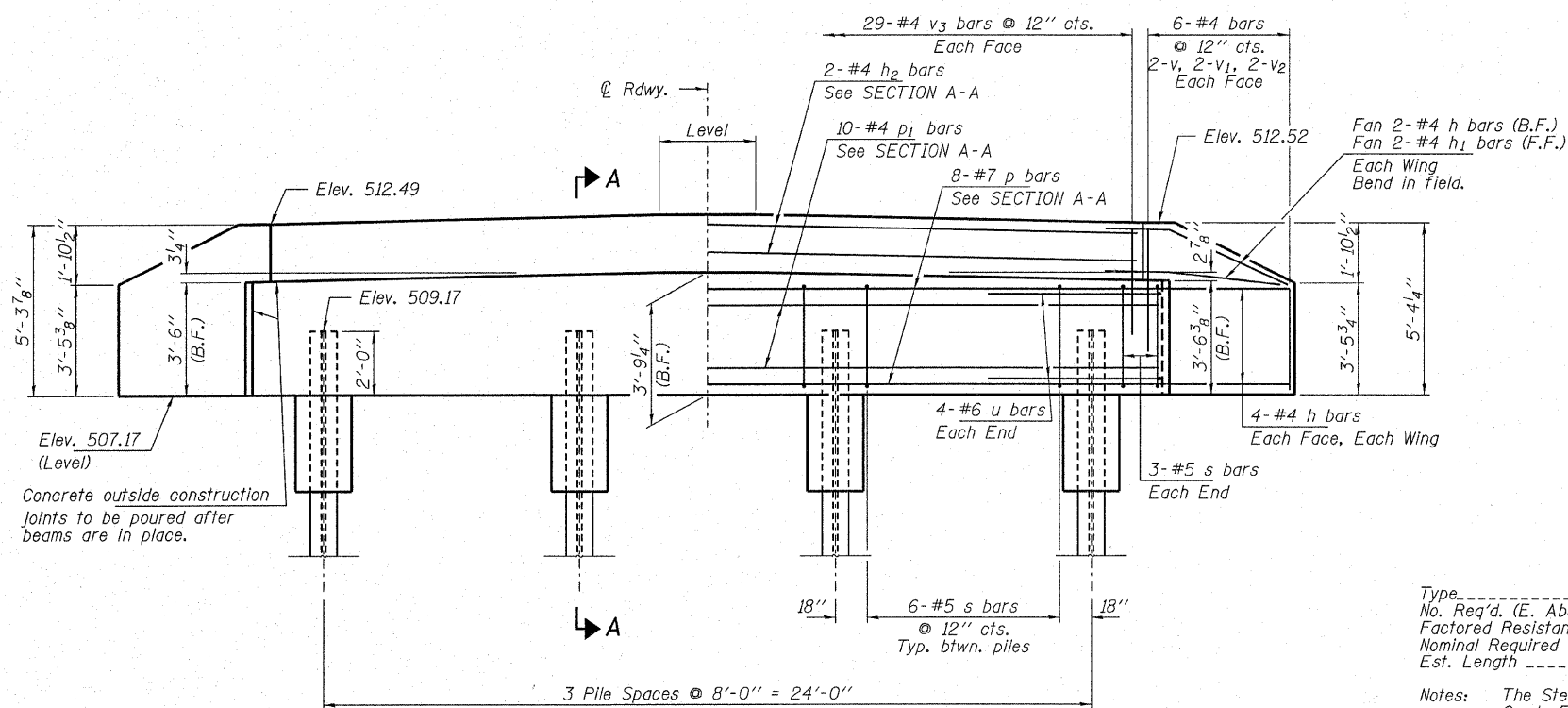
Hatched area to be poured after beams are in place.



BAR s



BAR u



ELEVATION

BILL OF MATERIAL - E. ABUT.

BAR	NO.	SIZE	LENGTH	SHAPE
h	20	#4	6'-0"	—
h1	4	#4	4'-6"	—
h2	2	#4	28'-4"	—
p	8	#7	28'-4"	—
p1	10	#4	28'-4"	—
s	24	#5	11'-7"	□
u	8	#6	12'-2"	U
v	8	#4	5'-1"	—
v1	8	#4	4'-1"	—
v2	8	#4	3'-1"	—
v3	58	#4	2'-8"	—
Concrete Structures			Cu. Yd.	12.4
Concrete Encasement			Cu. Yd.	1.4
Reinforcement Bars			Pound	1,390
Steel Piles HP12x53			Foot	140

PILE DATA

Type Steel HP12x53
 No. Req'd. (E. Abut.) 4
 Factored Resistance Available (RF) 209 Kips/Pile
 Nominal Required Bearing (Rn) 419 Kips/Pile
 Est. Length 35 Ft/Pile

Notes: The Steel H-Piles shall be according to AASHTO M270 Grade 50.

DESIGNED - A.S.L.
CHECKED - S.W.M.
DRAWN - D.A.B.
CHECKED - D.T.M.

HAMPTON, LENZINI & RENWICK, INC.
 CIVIL & STRUCTURAL ENGINEERS
 LAND SURVEYORS
 3085 STEVENSON DRIVE, SUITE 201
 SPRINGFIELD, ILLINOIS 62703
 (217) 546-3400

T.R.	SECTION	COUNTY	TOTAL SHEETS	SHEET NO.
131	07-06121-00-BR	JEFFERSON	30	27
FARRINGTON ROAD DISTRICT		CONTRACT NO. 99350		
FED. ROAD DIST. NO.		ILLINOIS FED. AID PROJECT		

EAST ABUTMENT
 STRUCTURE NO. 041-3738