

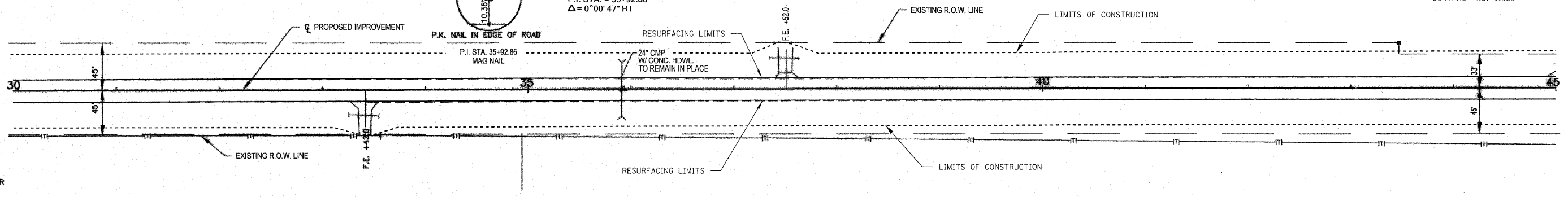
N.E. 1/4, SEC. 34, T.21 N., R. 6 E., 3rd. P. M.

P.K. NAIL IN EDGE OF ROAD



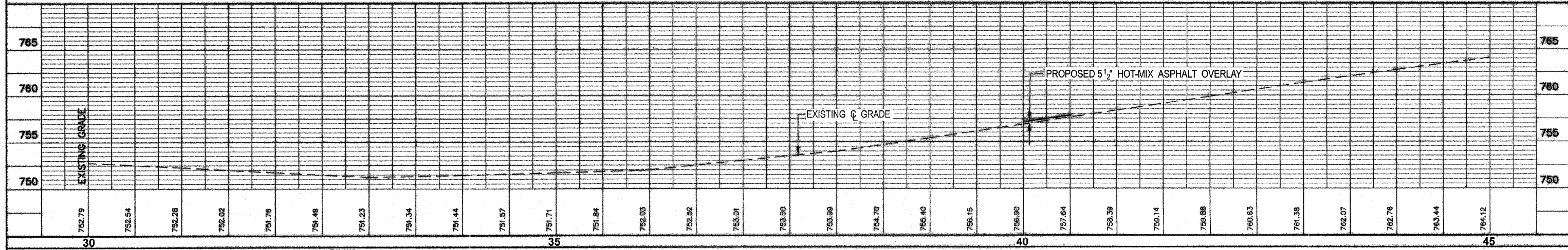
P.I. STA. = 35+92.86
 $\Delta = 0^{\circ}00'47''$ RT

PROJECT NO.	SECTION	COUNTY	TOTAL SHEETS	SHEET NO.
FAS 495	95-00215-01-RS	PIATT	21	7
CONTRACT NO. 91383				



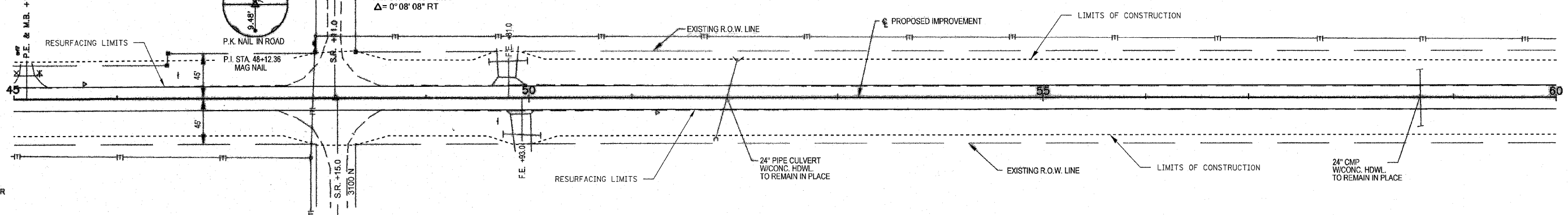
SCALES:
 1" = 50' HOR
 1" = 5' VER

N.W. 1/4, SEC. 38, T.21 N., R. 6 E., 3rd. P. M.



P.I. STA. = 48+12.36
 $\Delta = 0^{\circ}08'08''$ RT

S.E. 1/4, SEC. 27, T.21 N., R. 6 E., 3rd. P. M.



SCALES:
 1" = 50' HOR
 1" = 5' VER

S.W. 1/4, SEC. 26, T.21 N., R. 6 E., 3rd. P. M.

