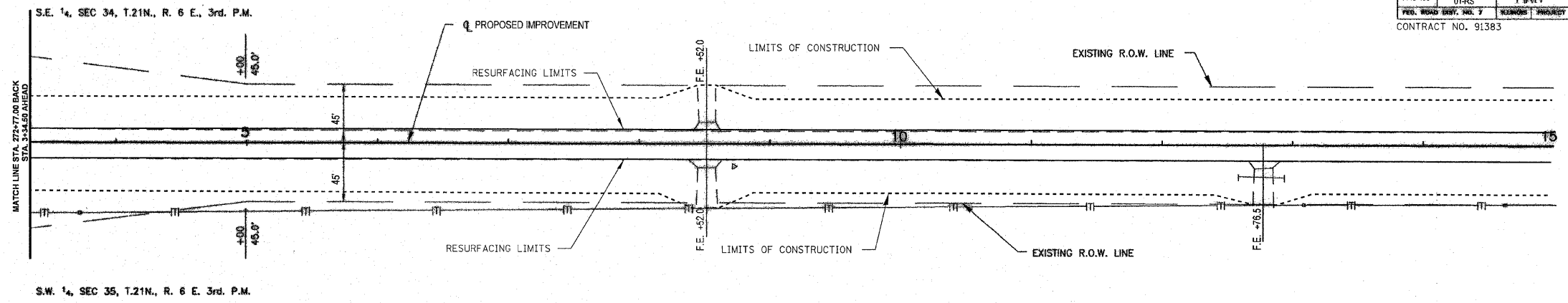
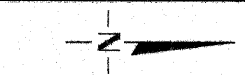
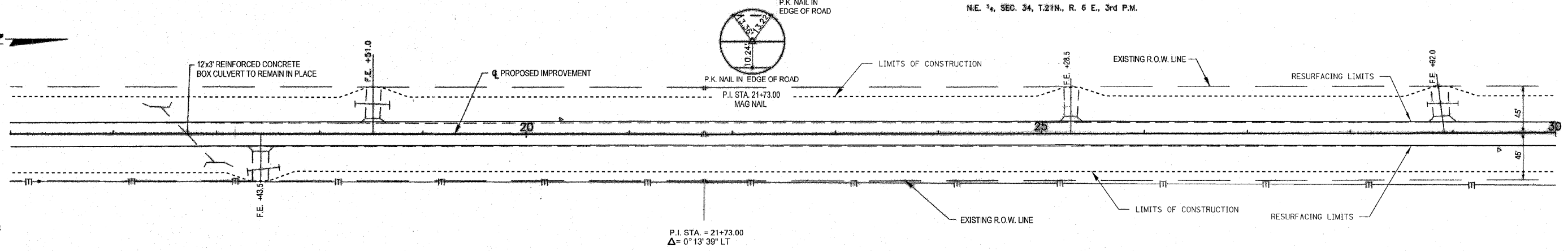
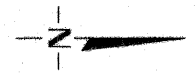
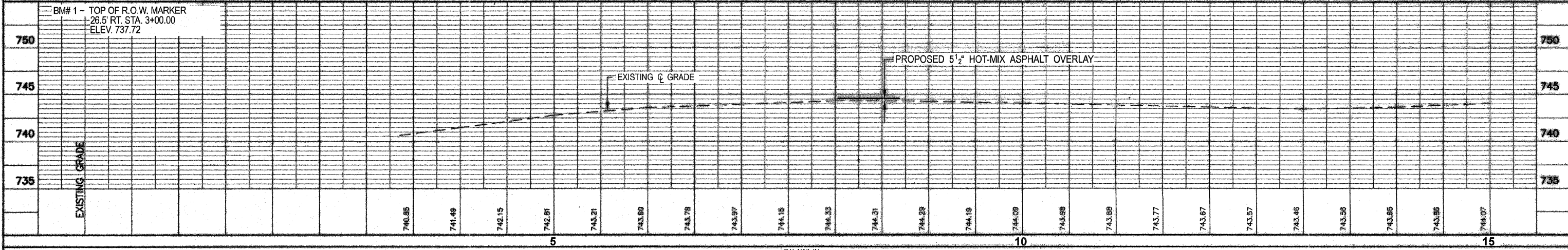


ROUTE NO.	SECTION	COUNTY	TOTAL SHEETS	SHEET NO.
FAS 495	85-02215-0145	PIATT	21	6

CONTRACT NO. 91383



SCALES:
1" = 50' HOR
1" = 5' VER



SCALES:
1" = 50' HOR
1" = 5' VER

