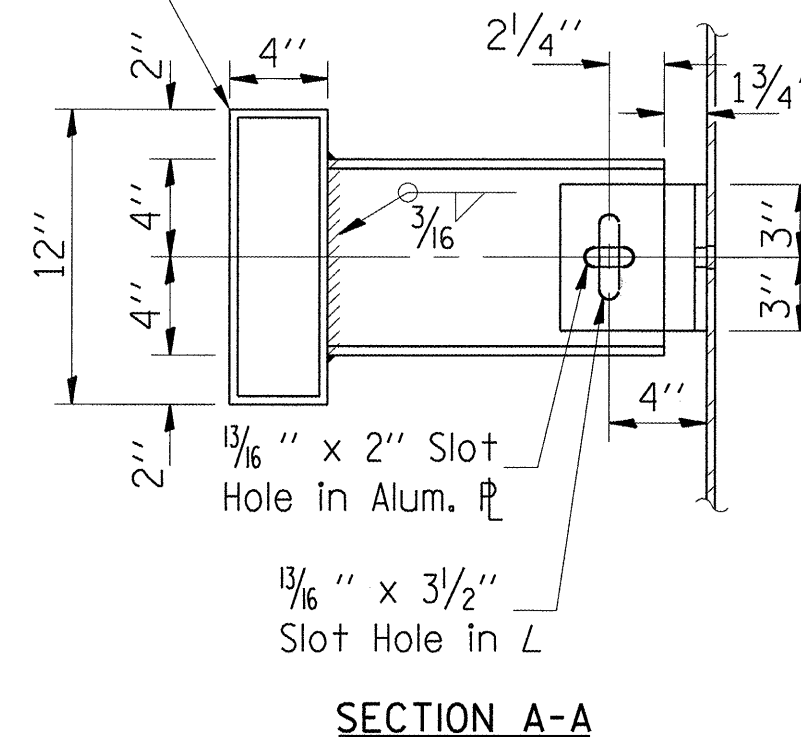
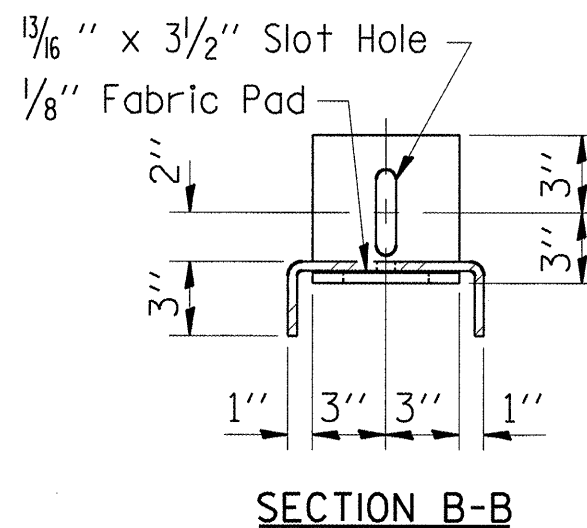


3/16" Aluminum Sheets Welded
 ASTM: B209 alloy 6061-T6
 or Aluminum Extrusions
 ASTM: B221 alloy 6061-T6,



FLOOR DRAIN EXTENSION DETAIL
 2 Locations

FLOOR DRAIN EXTENSION
 044-004I

FILE NAME =	USER NAME = gautneyrk	DESIGNED -	REVISED -	STATE OF ILLINOIS DEPARTMENT OF TRANSPORTATION	SCALE: _____ SHEET NO. _____ OF _____ SHEETS STA. _____ TO STA. _____	F.A.I. RTE.	SECTION	COUNTY	TOTAL SHEETS	SHEET NO.	
D:\Program Development\Studies and Plan	Downstairs Design\ZBRIDGE MAINT\CONTRACT	*DRAWINGS\78109_DRAINS .dgn	REVISED -			24	09 CM DECK DRAIN EXT FY09-1	JOHNSON MASSACH	16	7	
PLOT SCALE = 5.2953' / IN.	CHECKED -	DATE -	REVISED -			CONTRACT NO. 78109					
PLOT DATE = 12/22/2008	DATE -	REVISED -	REVISED -			FED. ROAD DIST. NO. ILLINOIS FED. AID PROJECT					